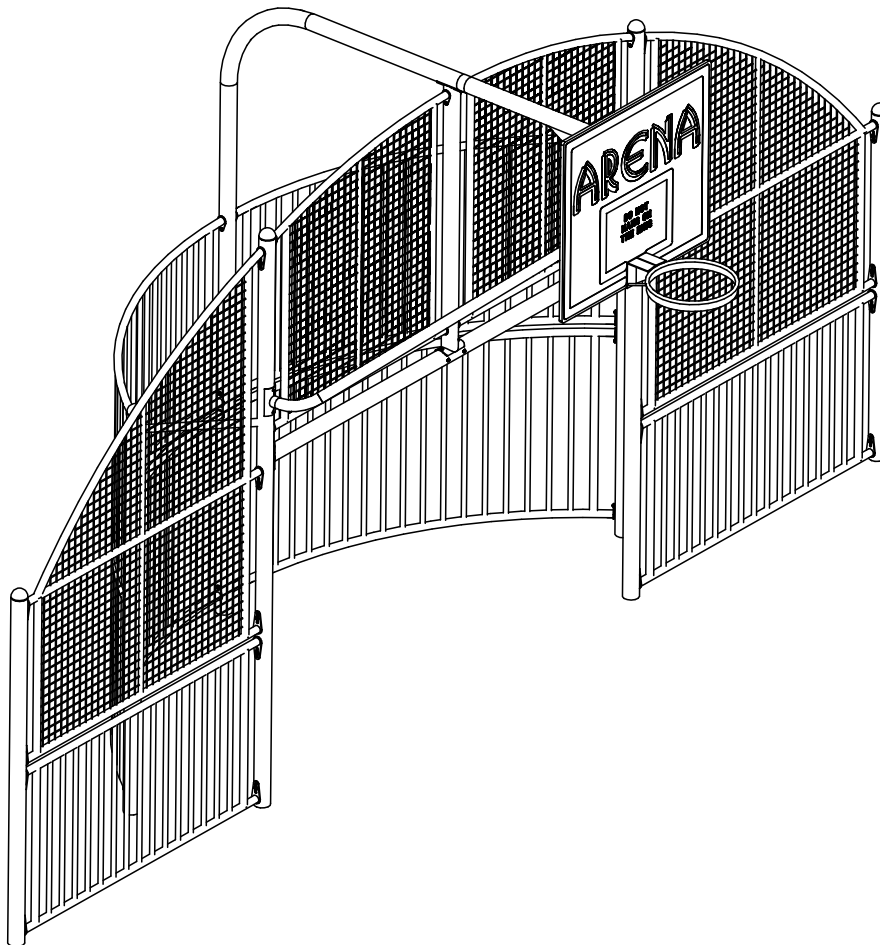
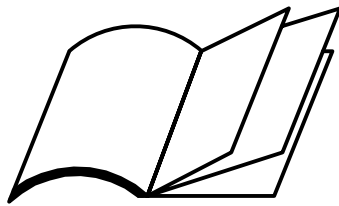


# HAGS

## ARENA 2007





# CONTENTS

<b>Section 1: GOALS / BUTS / TORE / PORTE DA CALCETTO / MÅL</b> .....	Page 7
1 SAG2B, SAGSM, SAG2R, SAGMR, SAG2BB, SAG2RB, SAGMRB & SAGSMB .....	Page 7
2 SAMGO .....	Page 17
3 SAMBB & SAMBR .....	Page 18
4 SAGF2 .....	Page 23
5 SAGF3 & SAGF3B .....	Page 28
<b>Section 2: GOALS / BUTS / TORE / PORTE DA CALCETTO / MÅL</b> .....	Page 37
1 SAG2BIL SAG2BIR SAG2BIRD SAG2BIL .....	Page 37
2 SAMBR18 .....	Page 48
<b>Section 3: EXCAVATION / AUSHUB / SCAVO / NEDGRÄVNINGSALTERNATIV</b> .....	Page 53
1 SAP** , SAC** & SAO10 .....	Page 53
2 SACLB & SACUM .....	Page 53
3 SAEPS .....	Page 54
4 SAEPD .....	Page 54
<b>Section 4: POSTS / POTEAUX / PFOSTEN / PALI / STOLPAR</b> .....	Page 55
1 SAP10 .....	Page 55
2 SAC10 .....	Page 55
3 SAO10 .....	Page 55
4 SAP20 .....	Page 55
5 SAC20 .....	Page 55
6 SAP30 .....	Page 56
7 SAC30 .....	Page 56
8 SAP40 .....	Page 56
9 SAC40 .....	Page 56
10 SAP41 .....	Page 57
11 SAP42 .....	Page 58
<b>Section 5: PANELS / PANNEAUX / WANDELEMENTE / PANNELLI / SKÄRMAR</b>	
Page 61	
1 SAGAM .....	Page 64
2 SAGAP .....	Page 64

3	SA4AM	Page 65
4	SA2LB	Page 66
5	SA2UM	Page 66
6	SA2LR	Page 67
7	SA1LB	Page 68
8	SA1UM	Page 68
9	SA1LR	Page 69
10	SASBM	Page 70
11	SASBR	Page 70
12	SACLB	Page 71
13	SACUM	Page 72
14	SAEPS	Page 72
15	SAEPD	Page 73

**Section 6: MINI GOAL & SEATS / MINI-BUTS & PLACES ASSISES / MINI TORE & SITZGELEGENHEITEN / MINI PORTE DA CALCETTO & SEDUTE / MINIMÅL & BÄNKAR** Page 75

1	SA2MG	Page 75
2	SA2SS	Page 77
3	SA2LS	Page 78
4	SAH22, SAH23, SAH42 & SAH43	Page 79

**Section 7: POLY PANELS / ECRANS EN POLYETHYLENE / POLY-WANDEL-MENENTE / PANNELLI IN POLIETILENE / PP SKÄRMAR** Page 91

1	SA2RB	Page 91
2	SA1RB	Page 92
3	SAYLS	Page 92
4	SAYRS	Page 93
5	SAYGK	Page 93
6	SAYDS	Page 94
7	SAYCR	Page 94
8	SAYST	Page 95
9	SAYKT	Page 95

**Section 8: GATES / PORTILLONS / EINGANGE / CANCELLI / GRINDAR** Page 97

1	SAZ10	Page 98
2	SAZ20	Page 99
3	ADJUSTMENT OF GATE CLOSING SPEED AJUSTEMENT DE LA VITESSE DE FERMETURE DU PORTILLON	

**EINSTELLEN DER SCHLISSGESCHWINDIGKEIT DES EINGANGSTORES**  
**REGOLAZIONE DELLA VELOCITÀ DI CHIUSURA DEL CANCELLO**  
**JUSTERING HASTIGHET AV GRINDENS STÄNGNING** Page 100

4	<b>SAZ12</b>	Page 101
5	<b>SAZ13</b>	Page 101
6	<b>SAZ22</b>	Page 102
7	<b>SAZ23</b>	Page 103
8	<b>SAZ32</b>	Page 104
9	<b>SAZ33</b>	Page 105
10	<b>SAZ42</b>	Page 106
11	<b>SAZ43</b>	Page 107

**Section 9: NET EXTENSIONS / RALLONGES PARE-BALLONS / NETZ-VER-  
LANGERUNGEN / ESTENSIONI RETI / FÖRLÄNGNINGSTOLPE . .**

Page 109

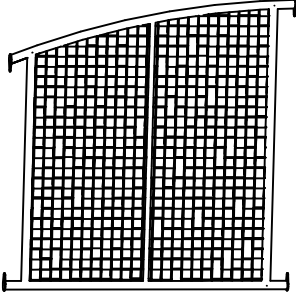
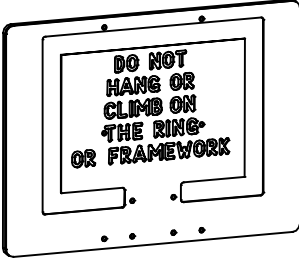
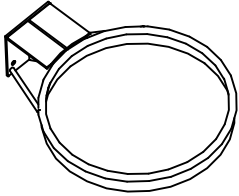
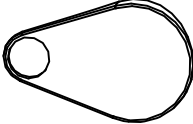
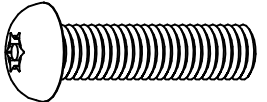
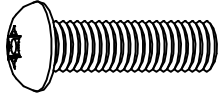
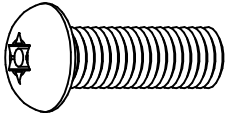
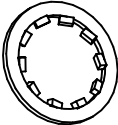
1		Page 109
1.1	<b>SABSL10</b>	Page 109
1.2	<b>SABSR10</b>	Page 109
1.3	<b>SABSL20</b>	Page 109
1.4	<b>SABSR20</b>	Page 109
1.5	<b>SABSL30</b>	Page 109
1.6	<b>SABSR30</b>	Page 110
2		Page 111
2.1	<b>SABSL10S</b>	Page 111
2.2	<b>SABSR10S</b>	Page 112
2.3	<b>SABSL20S</b>	Page 113
2.4	<b>SABSR20S</b>	Page 114
2.5	<b>SABSL30S</b>	Page 115
2.6	<b>SABSR30S</b>	Page 116
3		Page 118
3.1	<b>SABTA10</b>	Page 118
3.2	<b>SABTA15</b>	Page 118
3.3	<b>SABTA20</b>	Page 118
3.4	<b>SABTA21</b>	Page 118
3.5	<b>SABTA25</b>	Page 119
3.6	<b>SABTS10</b>	Page 119
3.7	<b>SABTS20</b>	Page 119
3.8	<b>SABTS30</b>	Page 119
4		Page 119
4.1	<b>SABSF10</b>	Page 119

4.2	SABSF15 .....	Page 120
4.3	SABSF25 .....	Page 120
<b>Section 10: TENNIS NET / FILET DE TENNIS / TENNIS-NETZ / RETE DA TENNIS / TENNISNÄT .....</b>		
		Page 121
1	SANET .....	Page 121
<b>Appendix A: GOALS DECK MOUNTED / BUTS SUR PLATINES / TORE OBERERDIG MONTIERT / PORTE DA CALCETTO FILO SUOLO / MÅL OVAN MARK MONTERING .....</b>		
		Page 125
1	SAG2BD, SAGSMD, SAG2RD, SAGMRD, SAG2BBD, SAG2RBD, SAGMRBD & SAGSMBD ..	Page 125
2	SAGF2D .....	Page 128
3	SAGF3D & SAGF3BD .....	Page 130
<b>Appendix B: POSTS DECK MOUNTED / POTEAUX SUR PLATINES / PFOSTEN OBERERDIG MONTIERT / PALI FILO SUOLO / STOLPAR OVAN MARK MONTERING .....</b>		
		Page 133
1	SAP10D .....	Page 133
2	SAC10D .....	Page 133
3	SAO10D .....	Page 133
4	SAP20D .....	Page 133
5	SAC20D .....	Page 134
6	SAP30D .....	Page 134
7	SAC30D .....	Page 134
8	SAP40D .....	Page 134
9	SAC40D .....	Page 135
10	SAP41D .....	Page 136
11	SAP42D .....	Page 137
<b>Appendix C: SEAT DECK MOUNTED &amp; ACCESS / PLACES ASSISES &amp; ACCES SUR PLATINES / SITZGELEGENHEITEN &amp; ZUGANGE OBERERDIG MONTIERT / ESDUTA FILO SUOLO &amp; ACCESSO / BÄNKER FÖR OVAN MARK FÖRANKING &amp; INGANG .....</b>		
		Page 139
1	SAH22D, SAH23D, SAH42D & SAH43D .....	Page 139
2	SAEPSD .....	Page 142
3	SAEPDD .....	Page 144

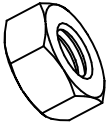
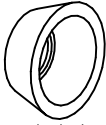
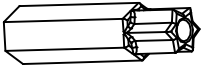
**Section 1: GOALS / BUTS / TORE / PORTE DA CALCETTO / MÅL**

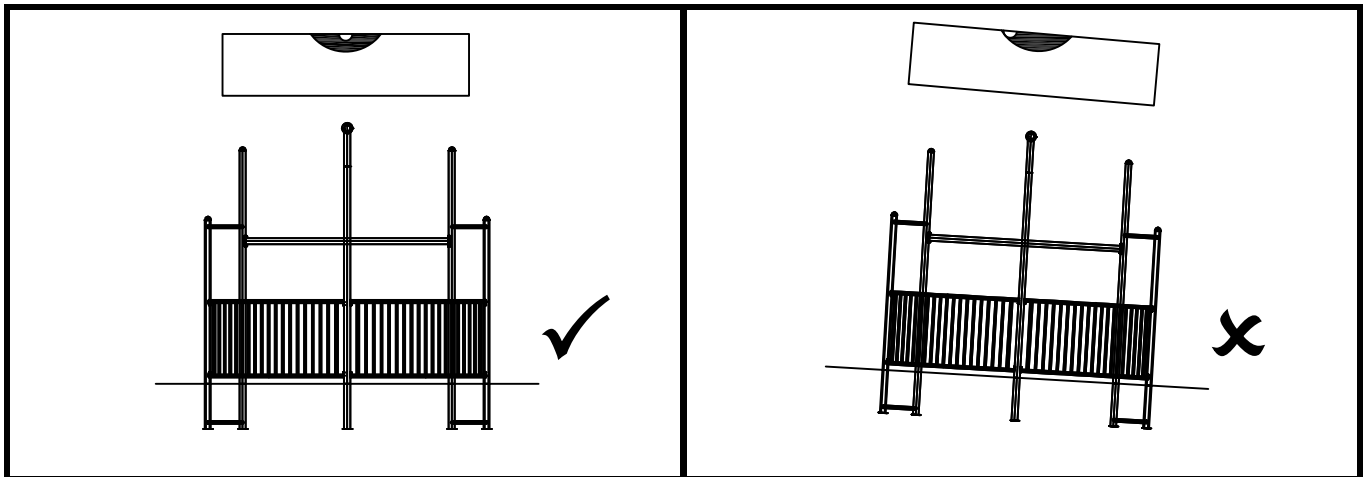
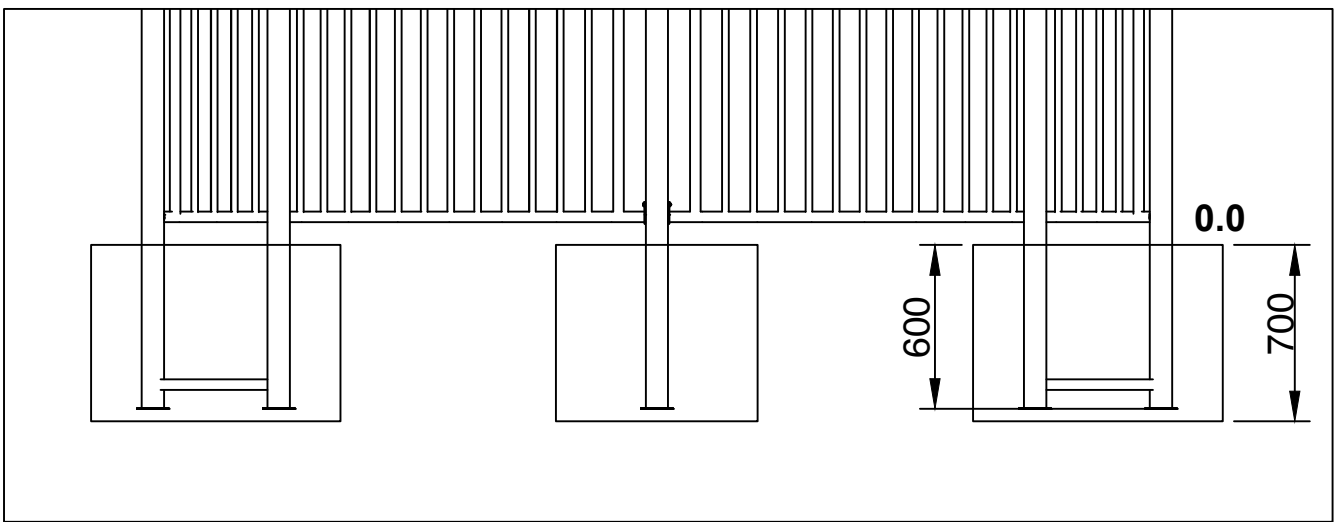
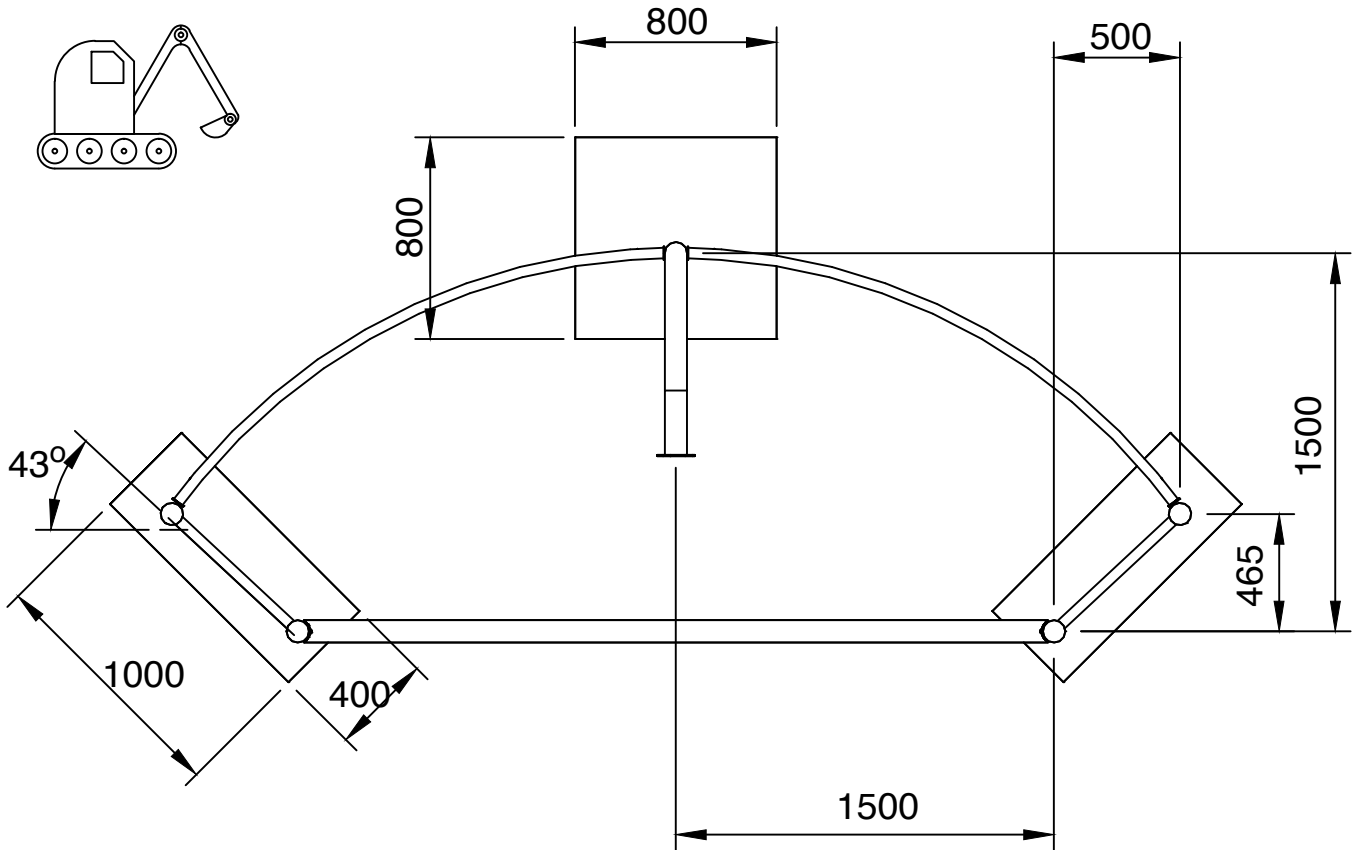
**1 SAG2B, SAGSM, SAG2R, SAGMR, SAG2BB, SAG2RB, SAGMRB & SAGSMB**

ITEM	REF.	Image	QTY								kg	
			SAG2B	SAGSM	SAG2R	SAGMR	SAG2BB	SAG2RB	SAGMRB	SAGSMB		
1.1	24000101		SET OF 2		SET OF 2		SET OF 2	SET OF 2			63.00	
	24000102			SET OF 2		SET OF 2				SET OF 2	SET OF 2	75.00
1.2	25000205						1					27.00
1.3	25000201						1					14.00
1.4	24000301		4	4				4			4	50.00
	24000305				4	4			4	4		68.00
1.5	24000111						1					50.00
	24000115									1		63.00

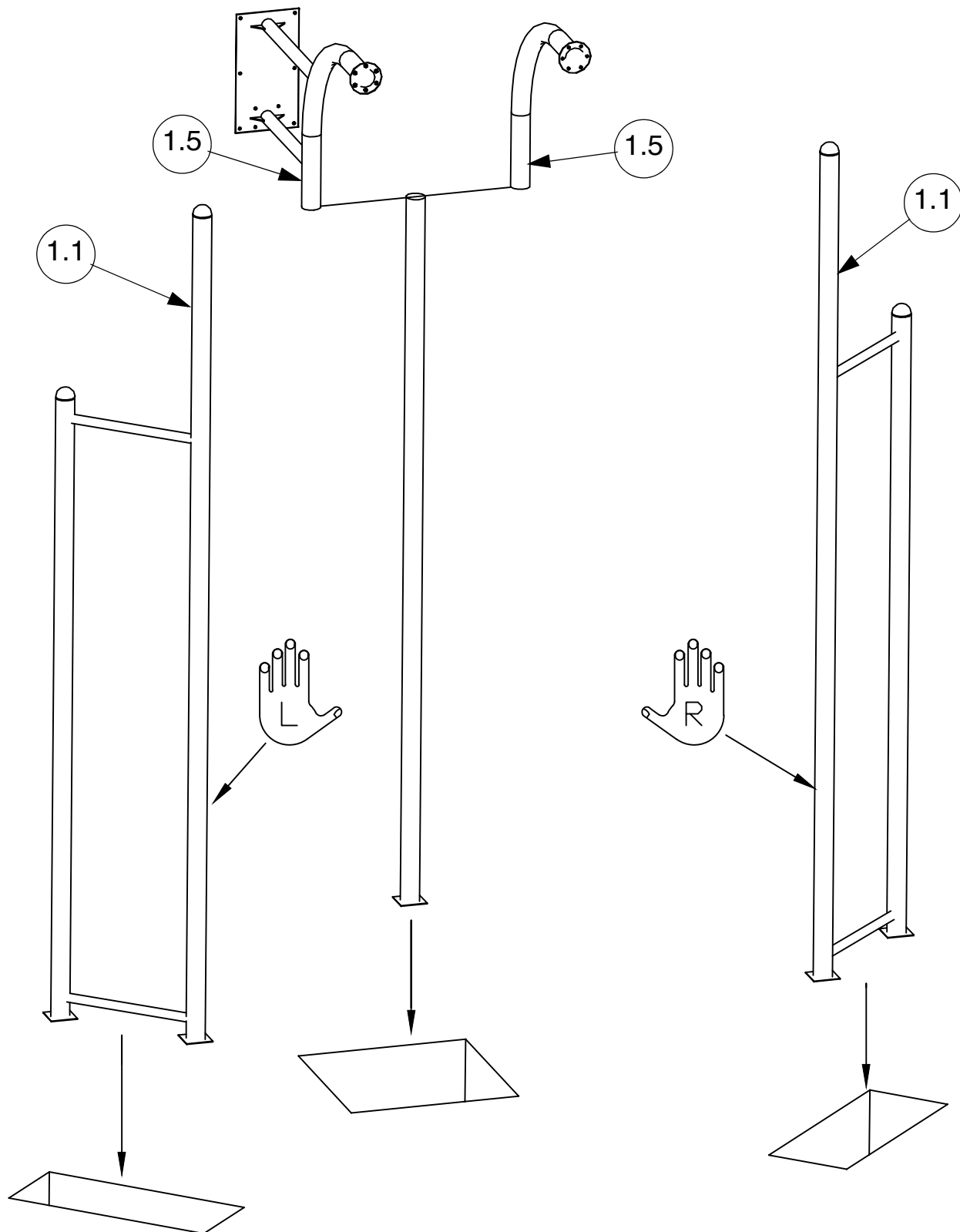
ITEM	REF.		QTY						kg	
			SAG2B	SAGSM	SAG2R	SAGMR	SAG2BB	SAG2RB		SAGMRB
1.6	25000405					2				26.00
1.7	24000905							1		7.500
1.8	25000907							1		8.000
1.9	19025501					24				0.015
1.10	10121040	 M10 X 40						4		0.037
1.11	10121035	 M10 X 35						6		0.032
1.12	10121030	 M10 X 30				30				0.028
1.13	10301000	 M10 12X18X1		30				50		0.002



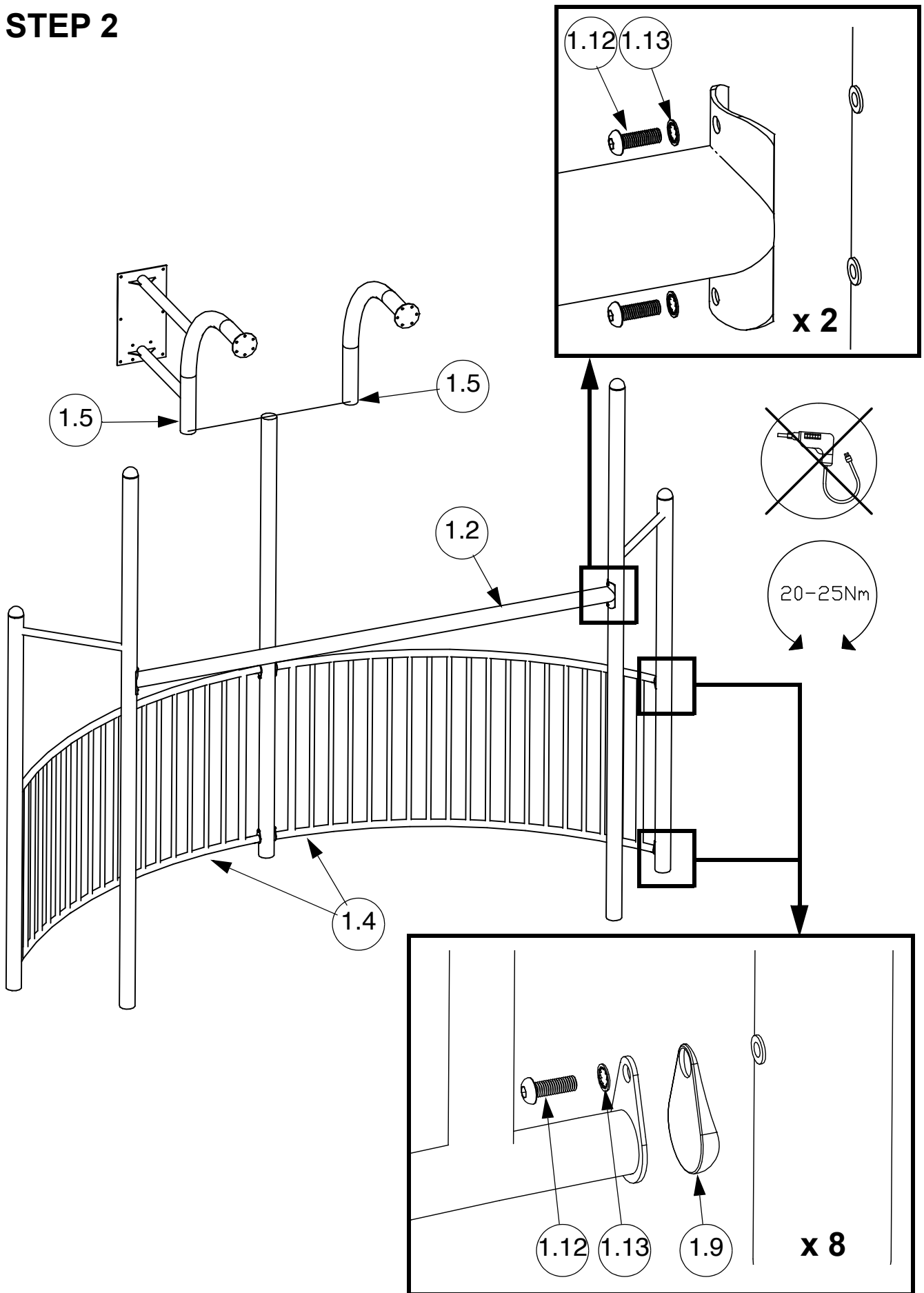
ITEM	REF.		QTY								kg
			SAG2B	SAGSM	SAG2R	SAGMR	SAG2BB	SAG2RB	SAGMRB	SAGSMB	
1.14	10271000	 M10					10				0.020
1.15	10411000	 M10					10				0.020
1.16	10121000	 T45 M10									



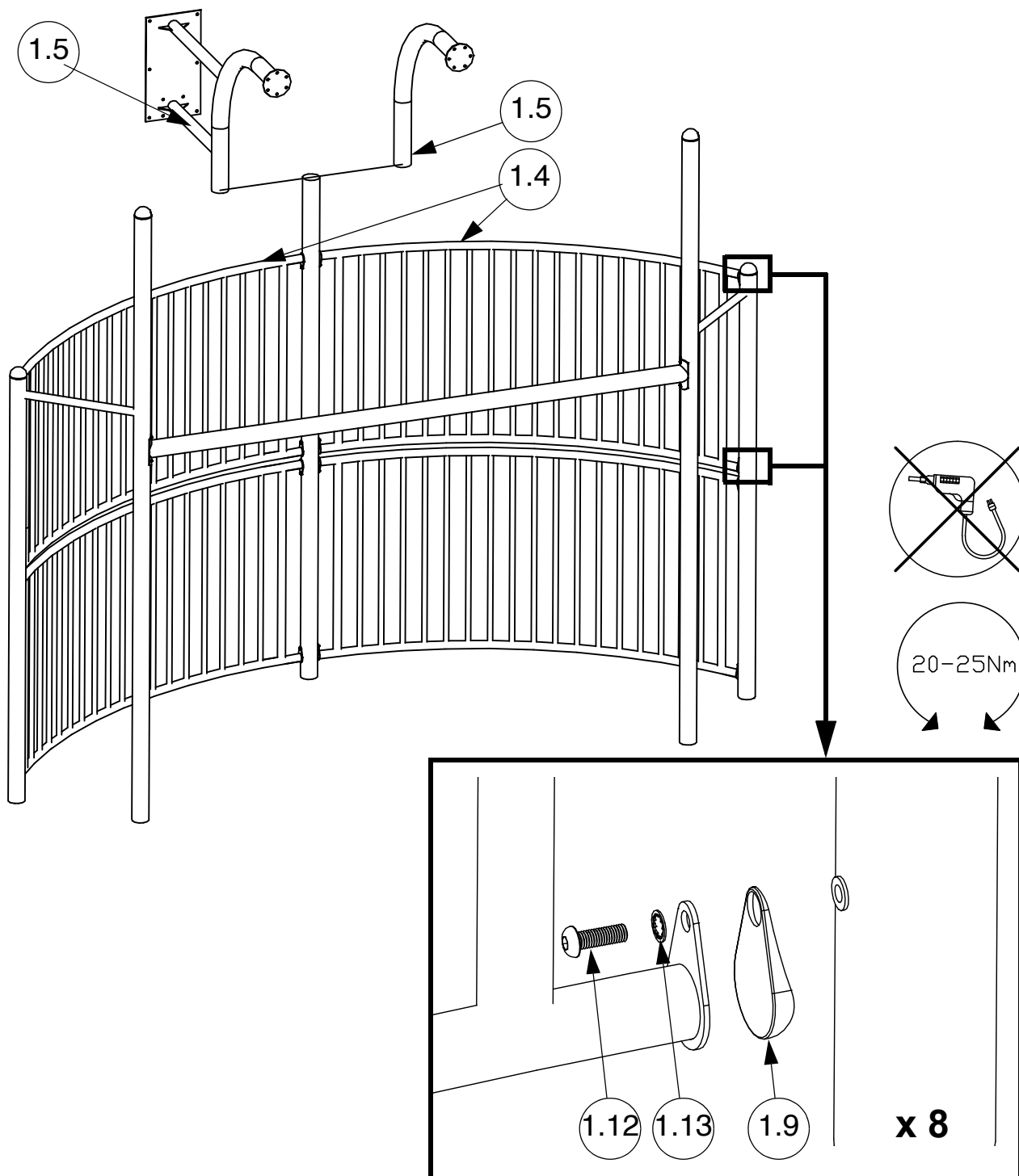
# STEP 1



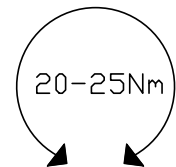
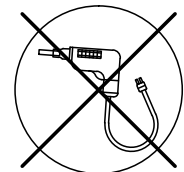
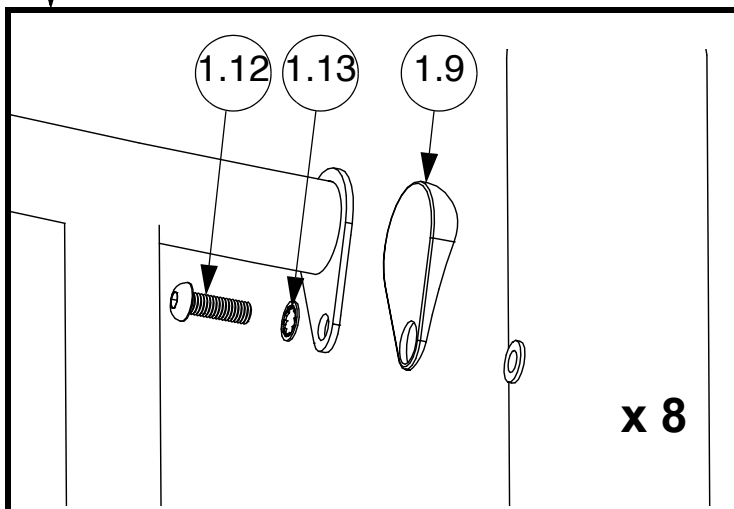
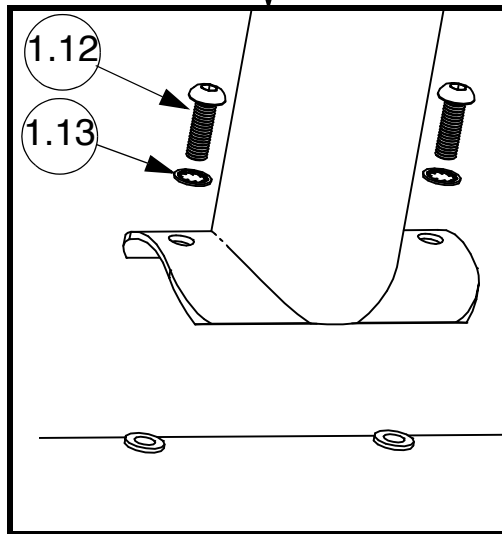
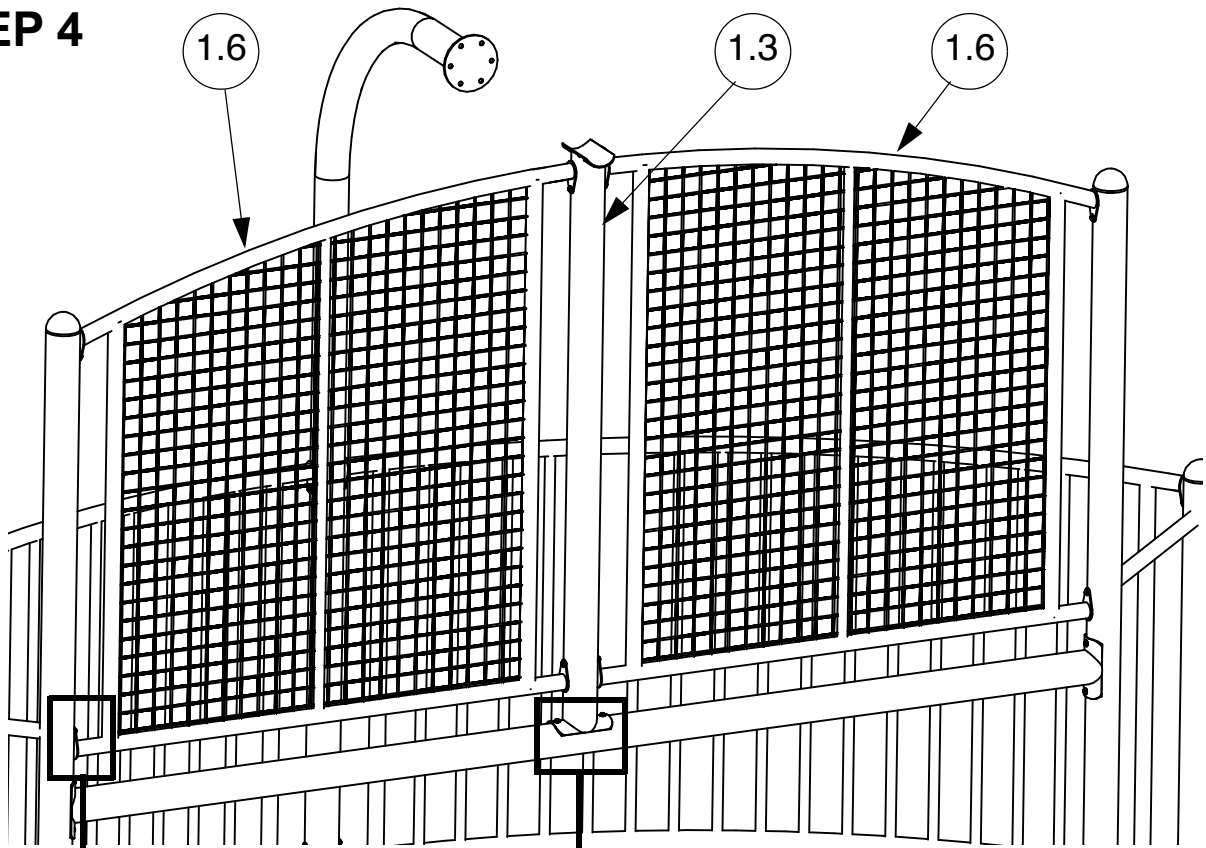
# STEP 2



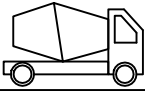

# STEP 3

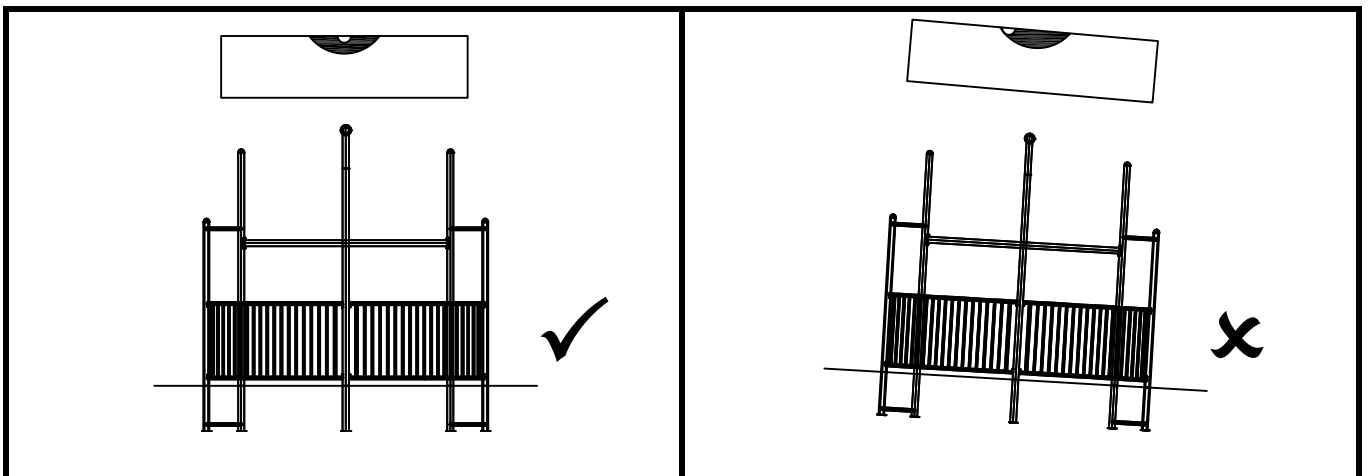
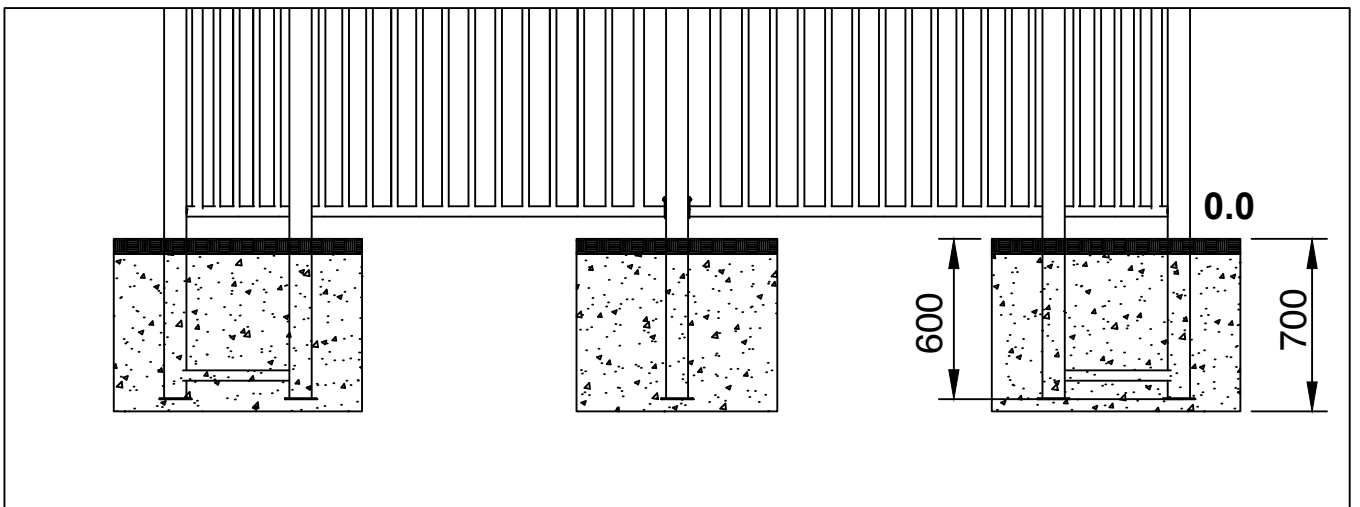
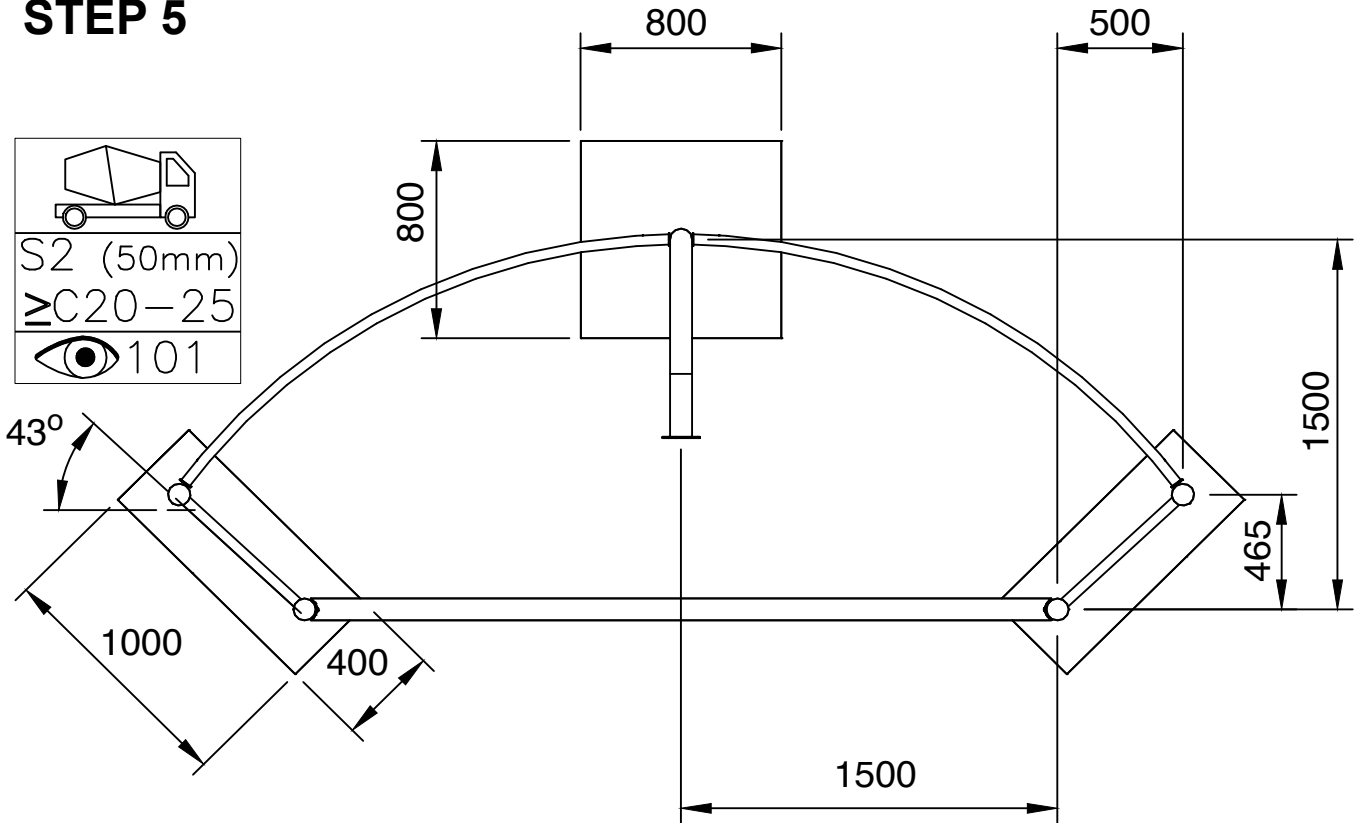


# STEP 4

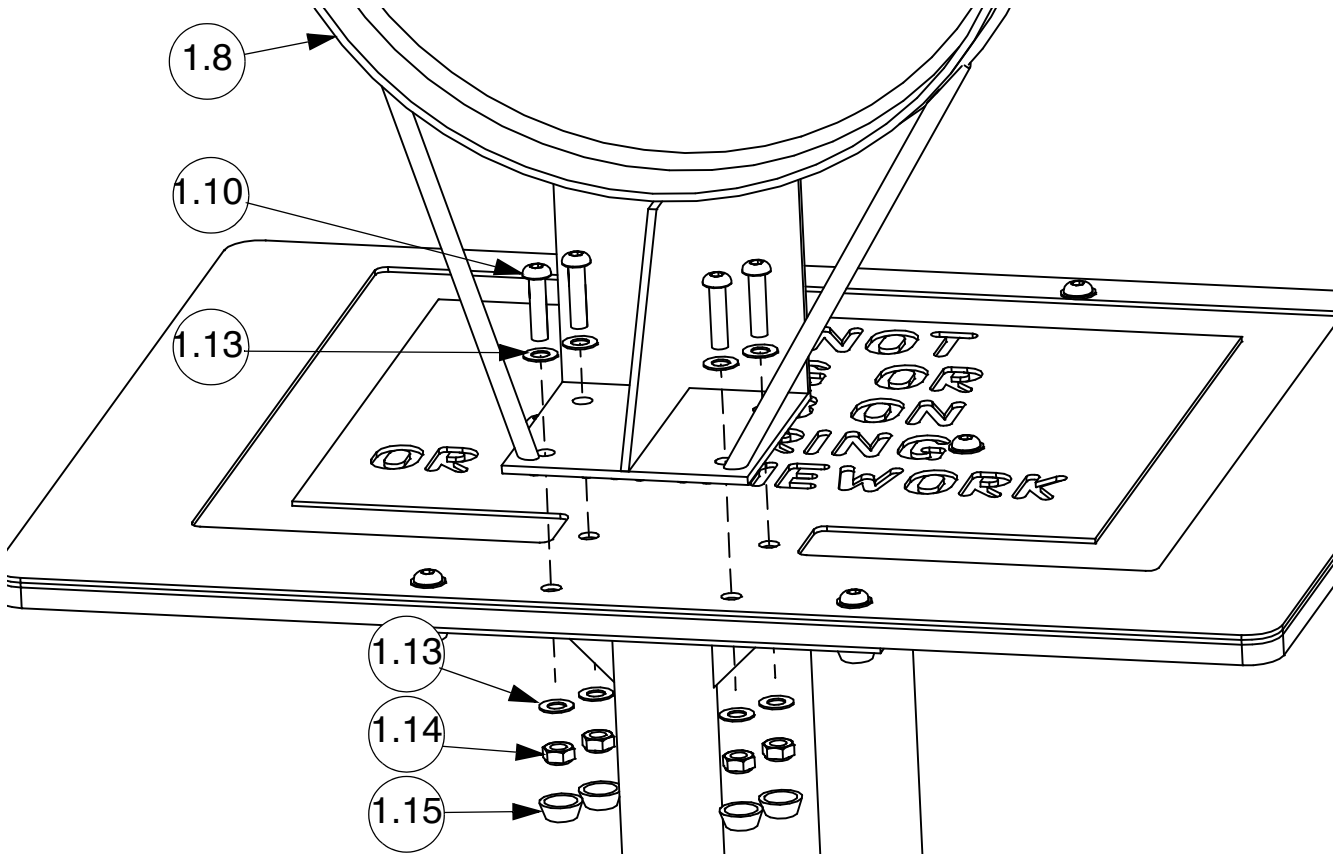
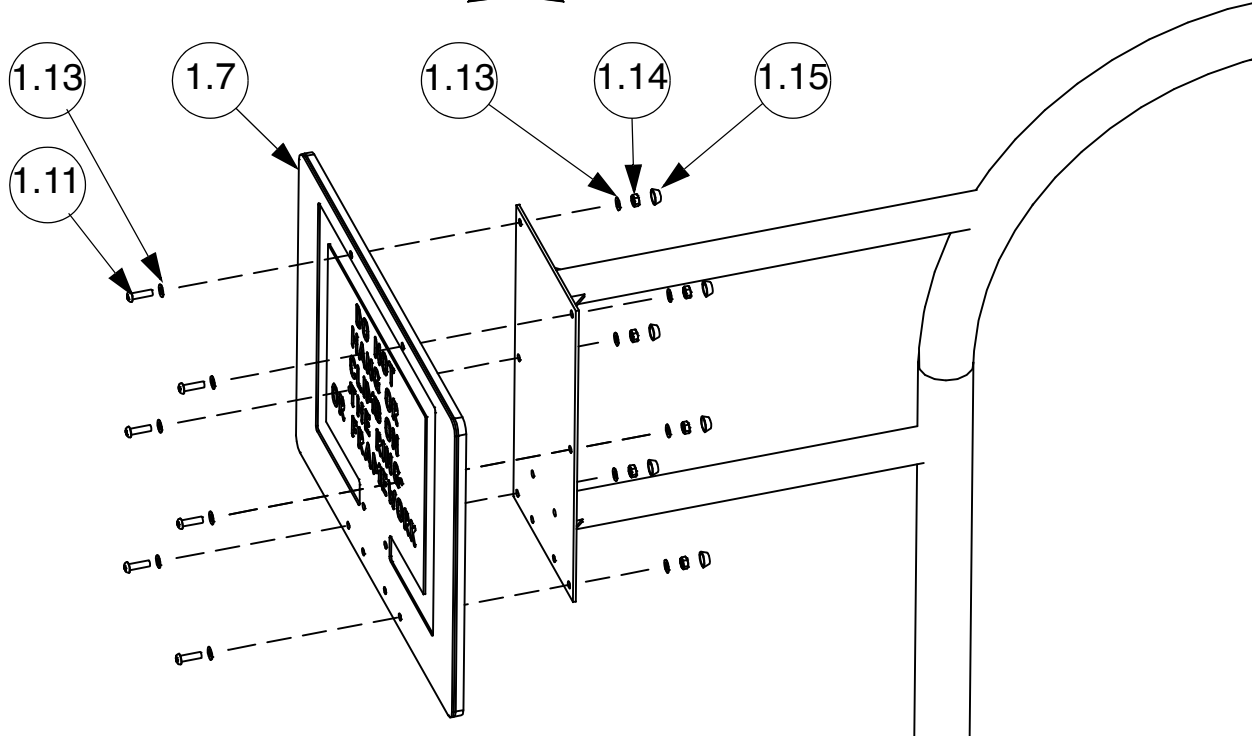
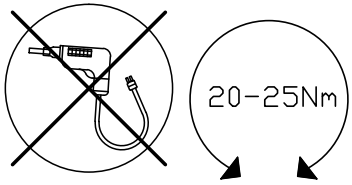


# STEP 5

  
 S2 (50mm)  
 $\geq C20-25$   
 101

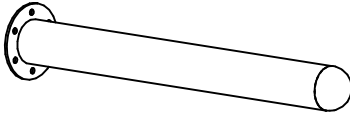
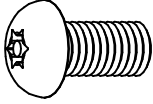
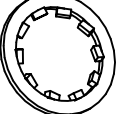
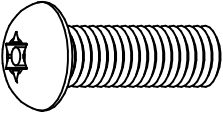


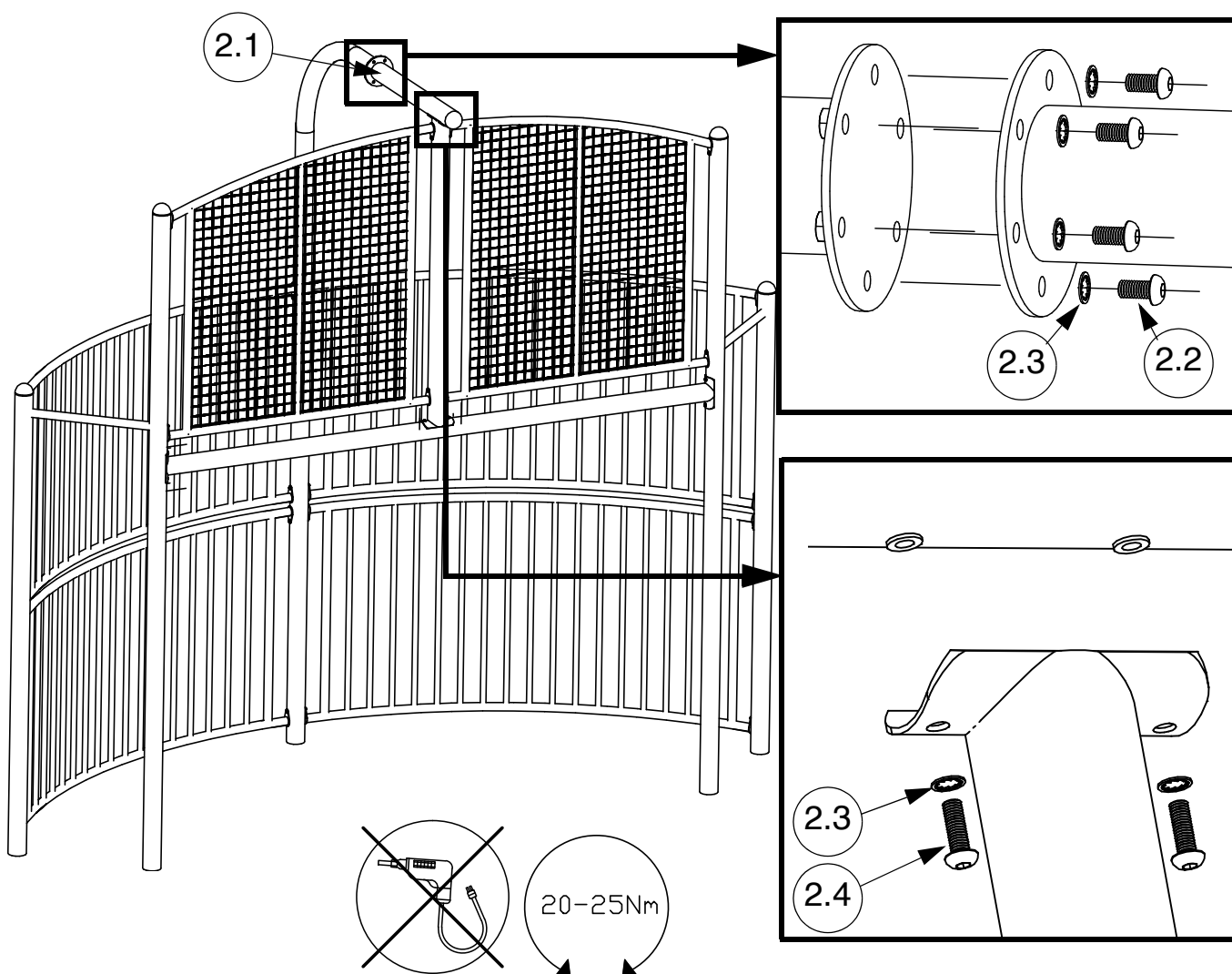
# STEP 6



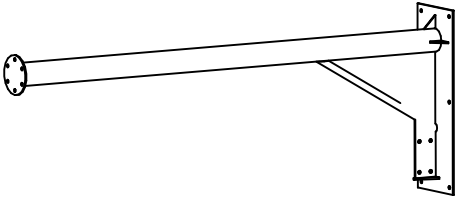
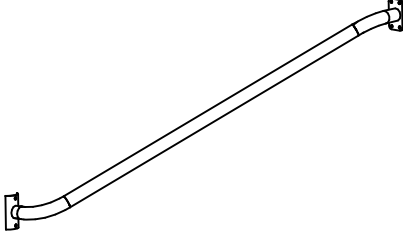
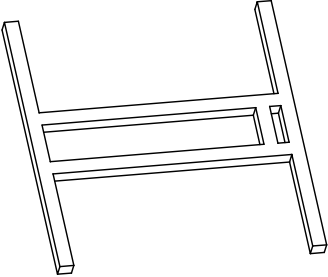
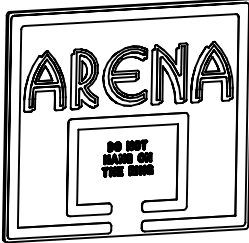
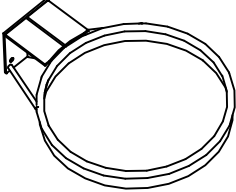
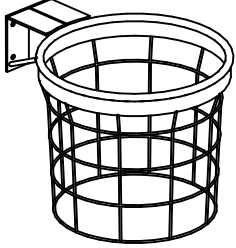


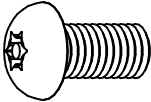
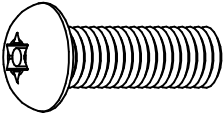
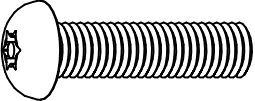

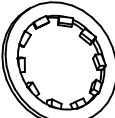
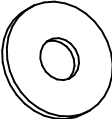
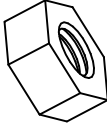
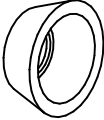
2 SAMGO

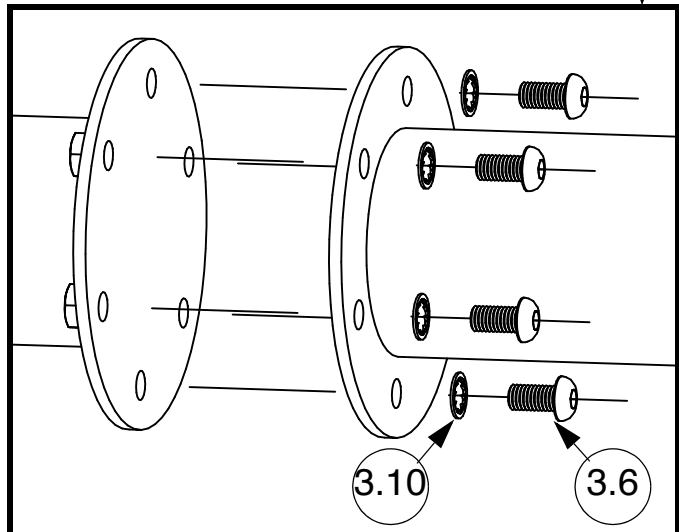
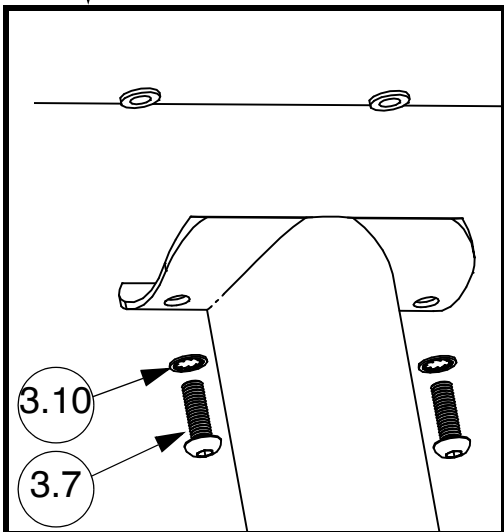
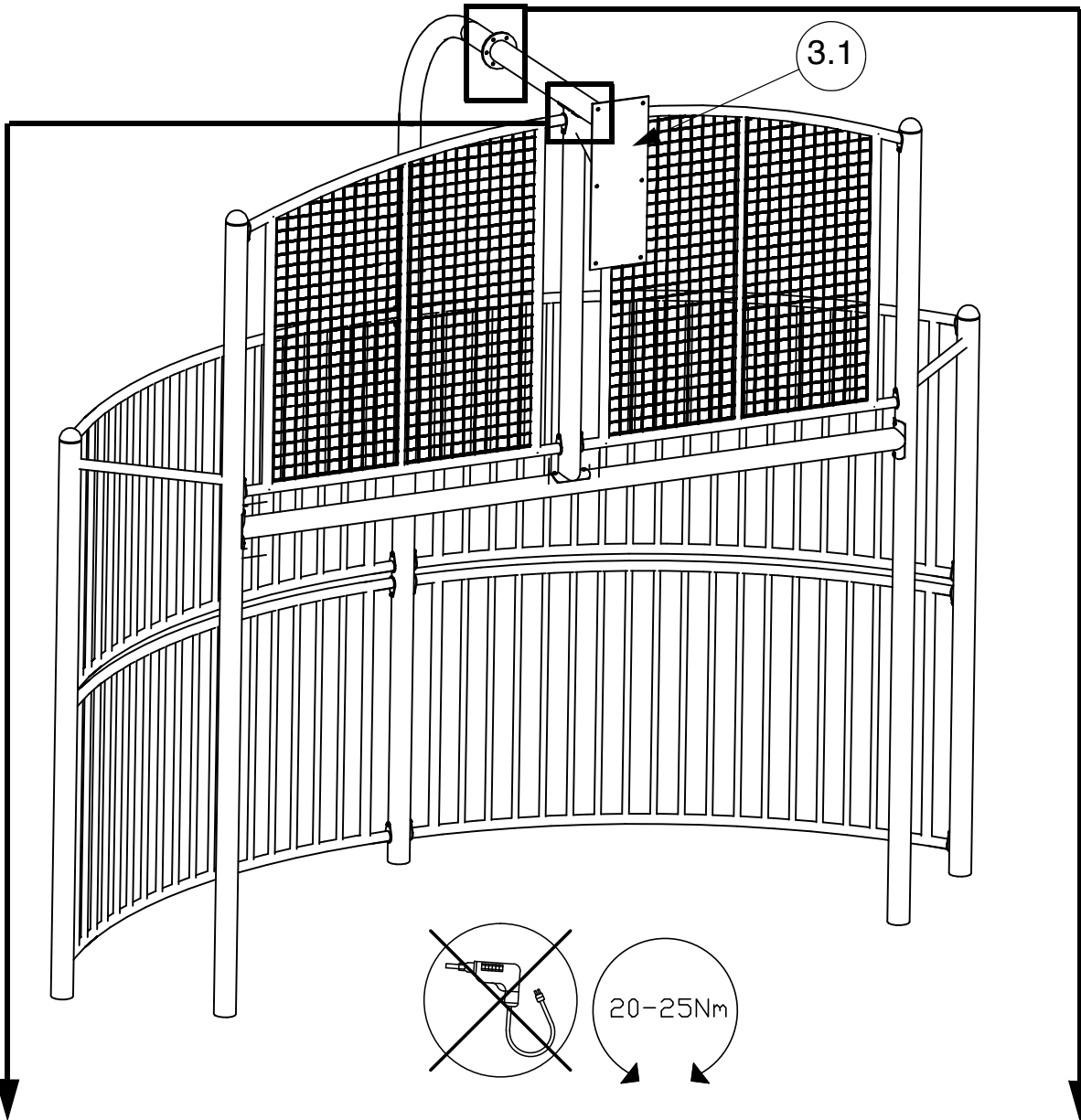
ITEM	CODE		SAMGO	kg
2.1	25000115		1	29.000
2.2	10121020	 M10 X 20	6	0.020
2.3	10301000	 M10 12X18X1	8	0.002
2.4	10121030	 M10 X 30	2	0.028

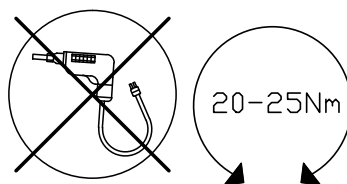
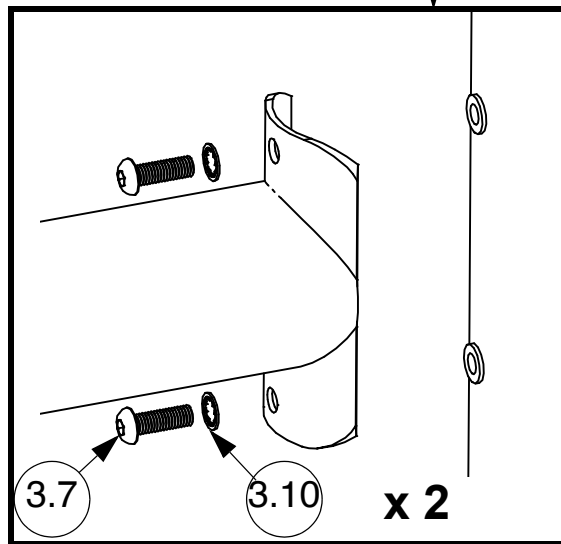
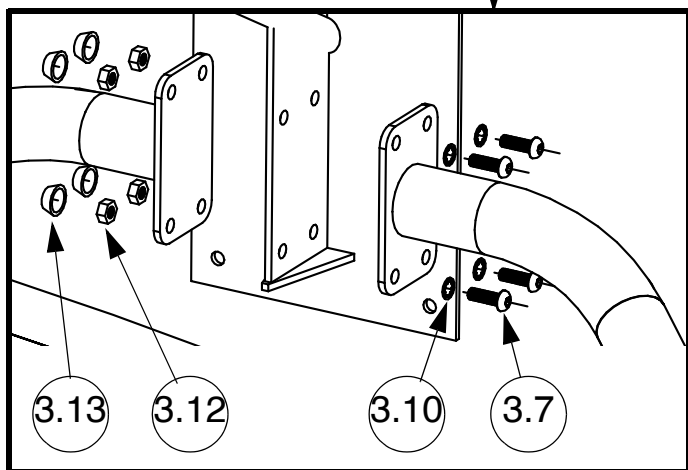
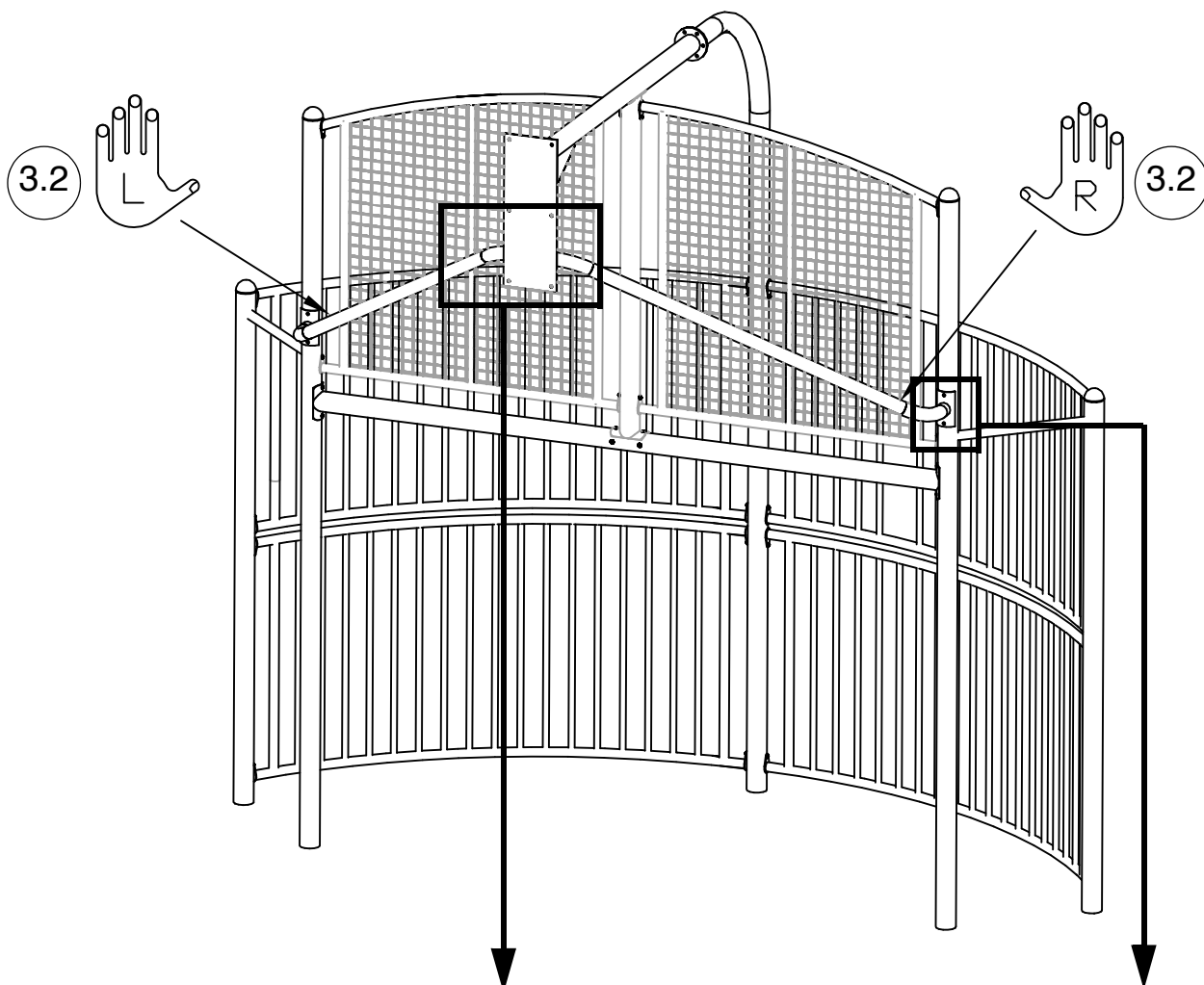


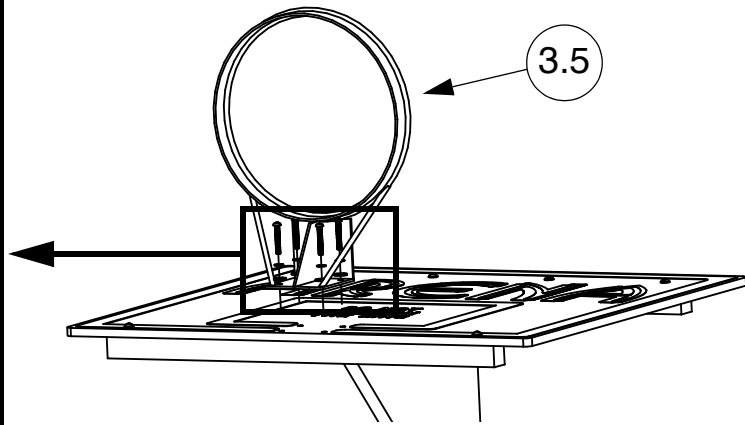
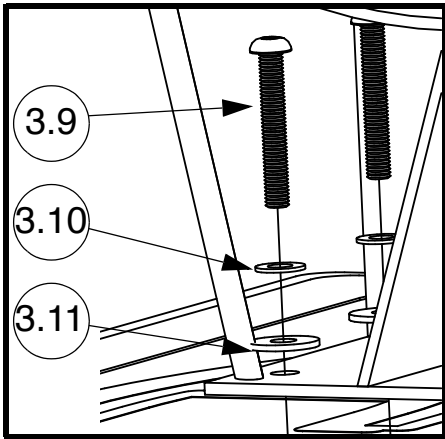
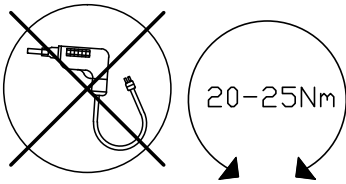
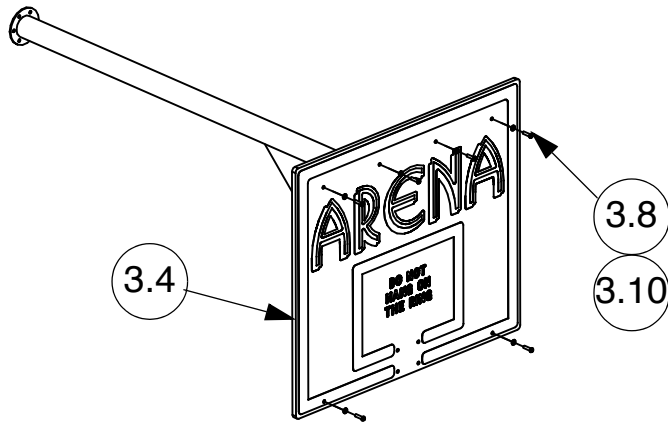
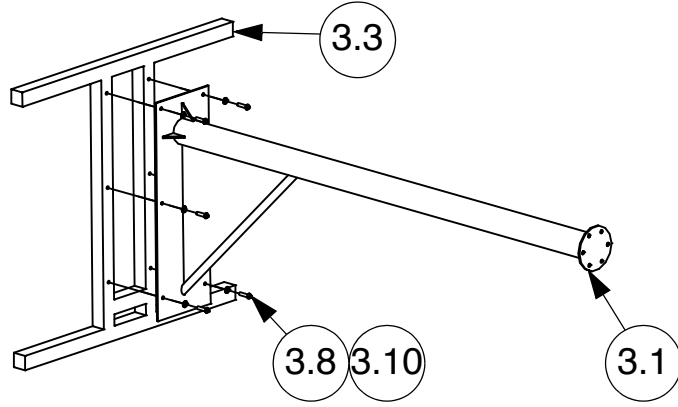
**3 SAMBB & SAMBR**

ITEM	REF		SAMBB	SAMBR	kg
3.1	25000113		1		44.000
3.2	25000114		SET OF 2		13.000
3.3	25000903		1		18.000
3.4	25000905		1		24.000
	25000907			1	8.000
3.5	25000901		1		11.000

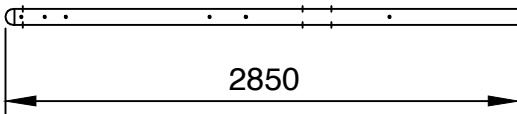
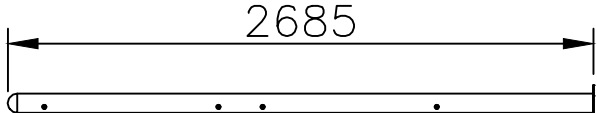
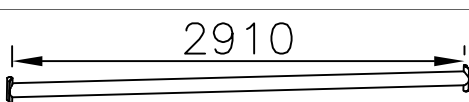
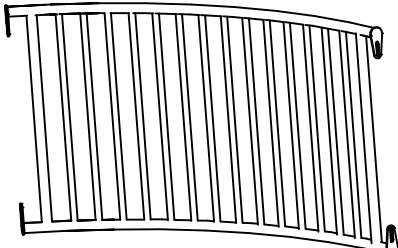
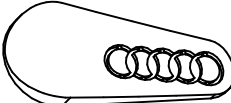
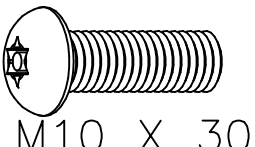
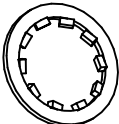
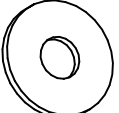
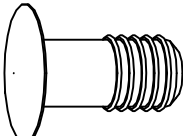

ITEM	REF		SAMBB	SAMBR	kg
3.6	10121020	 M10 X 20	6		0.020
3.7	10121030	 M10 X 30	10		0.028
3.8	10121040	 M10 X 40	12		0.037
3.9	10121065	 M10 X 65	4		0.050
3.10	10301000	 M10 12X18X1	32		0.002
3.11	10309999	 M10 11X30X2.5	4		0.003
3.12	10281000	 M10	4		0.013
3.13	10411000	 M10	4		0.020

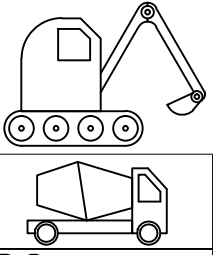




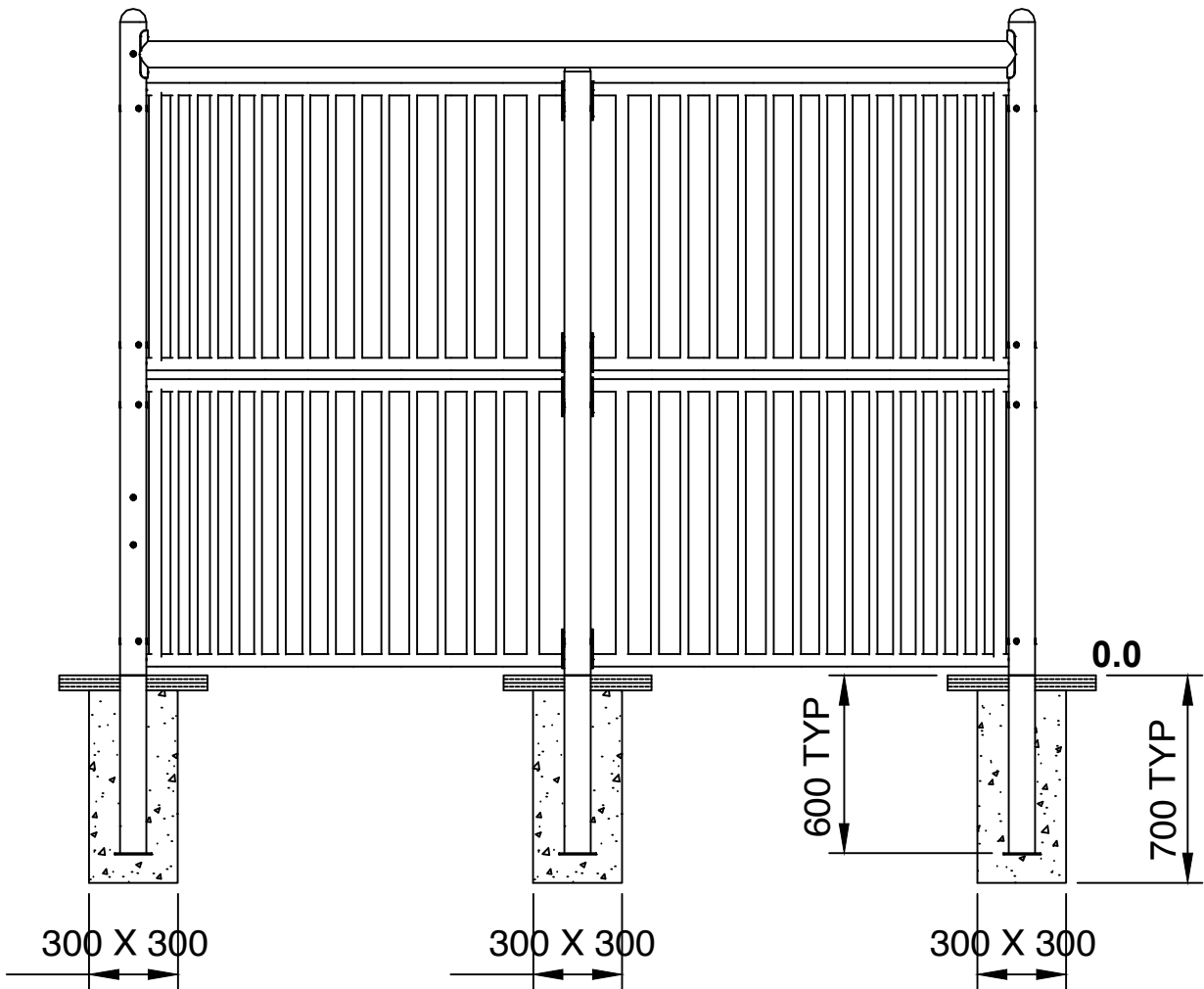
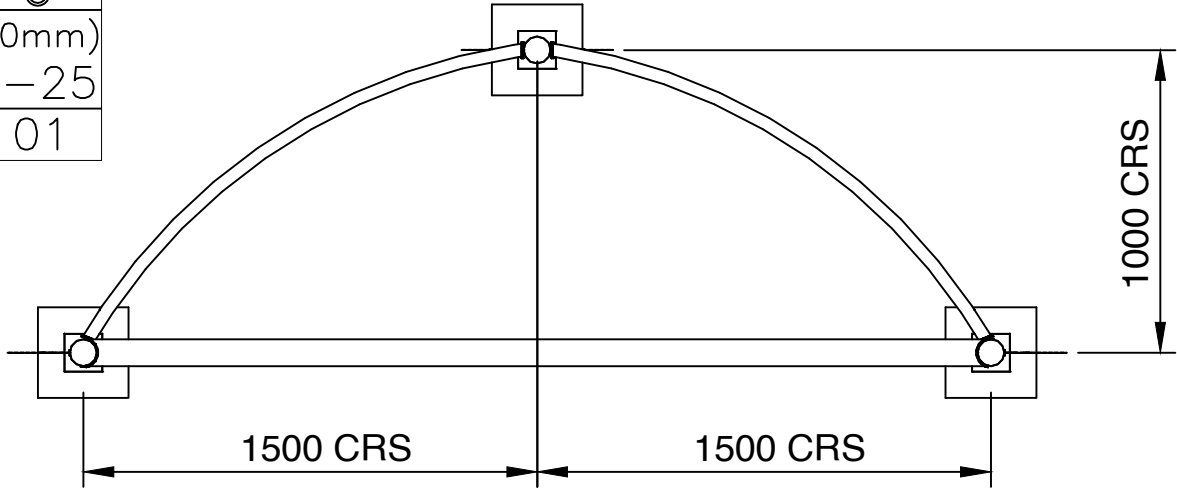


4 SAGF2

ITEM	CODE		SAGF2	kg
4.1	24000132		2	24.00
4.2	24000105		1	21.00
4.3	25000205		1	27.00
4.4	24000615		4	35.50
4.5	19022401		16	0.010
4.6	10121030	 M10 X 30	20	0.028
4.7	10301000	 M10 12X18X1	20	0.002
4.8	10309999	 M10 11X30X2.5	16	0.011
4.9	19024501		24	0.001
5.0	10121000	 T45 M10	1	

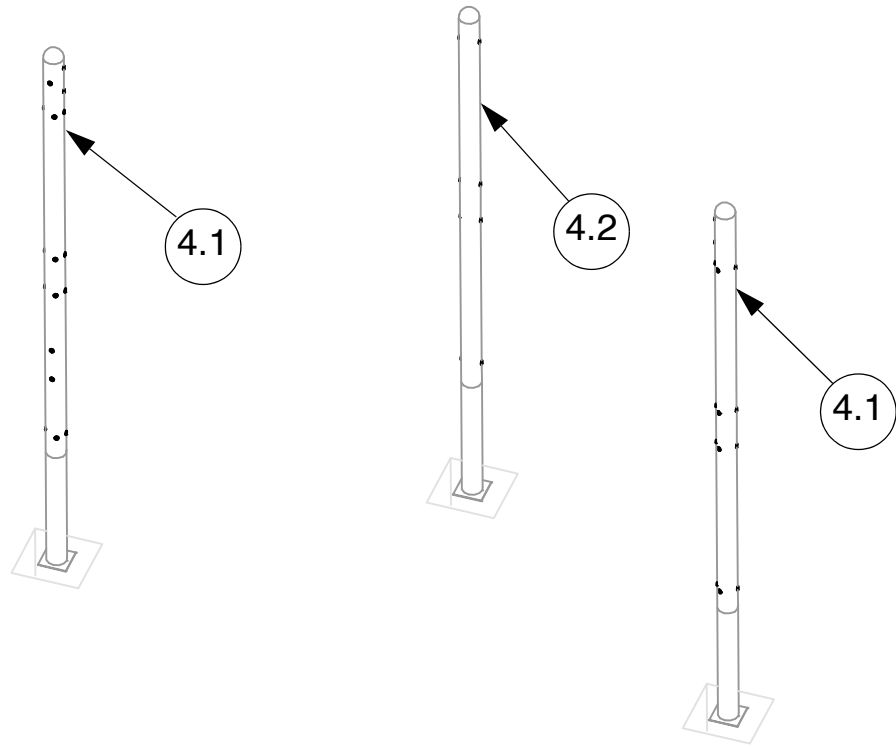


S2 (50mm)  
≥C20-25  
101

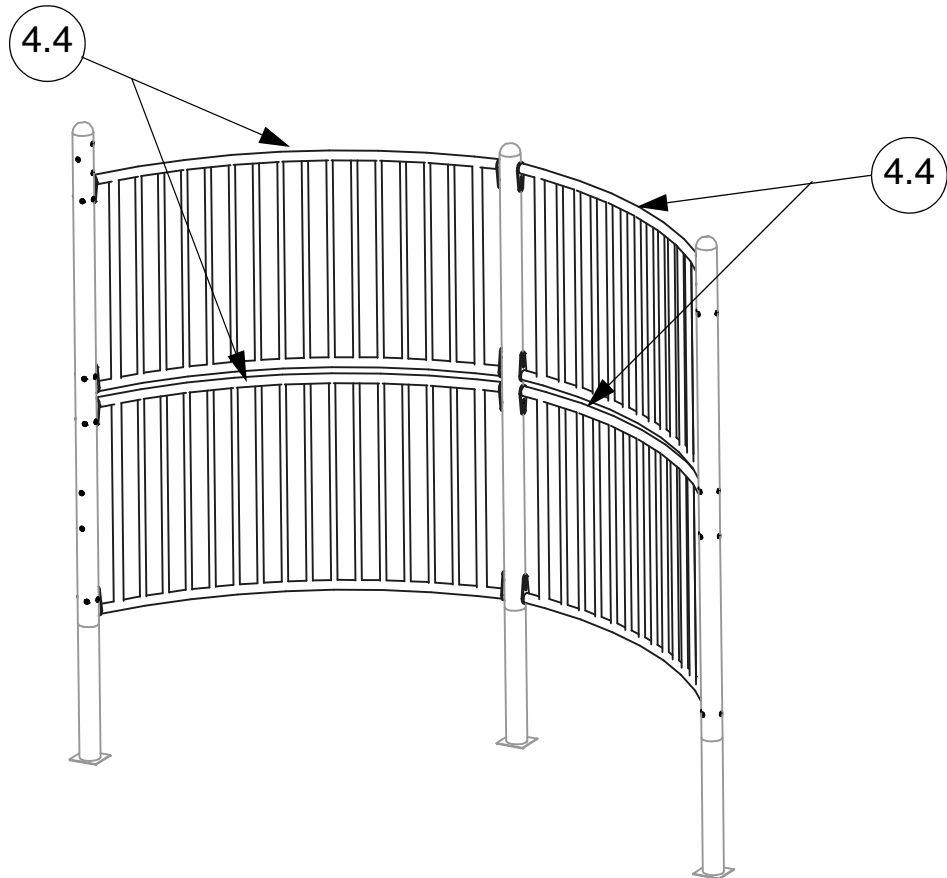


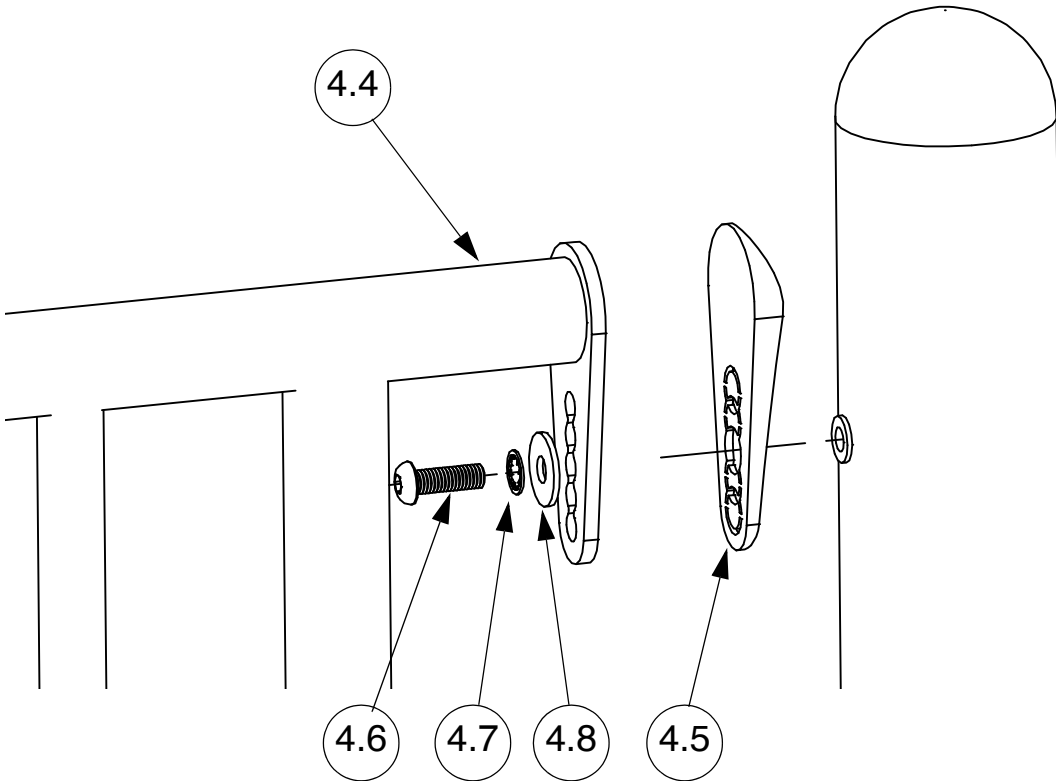
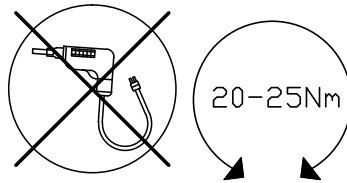
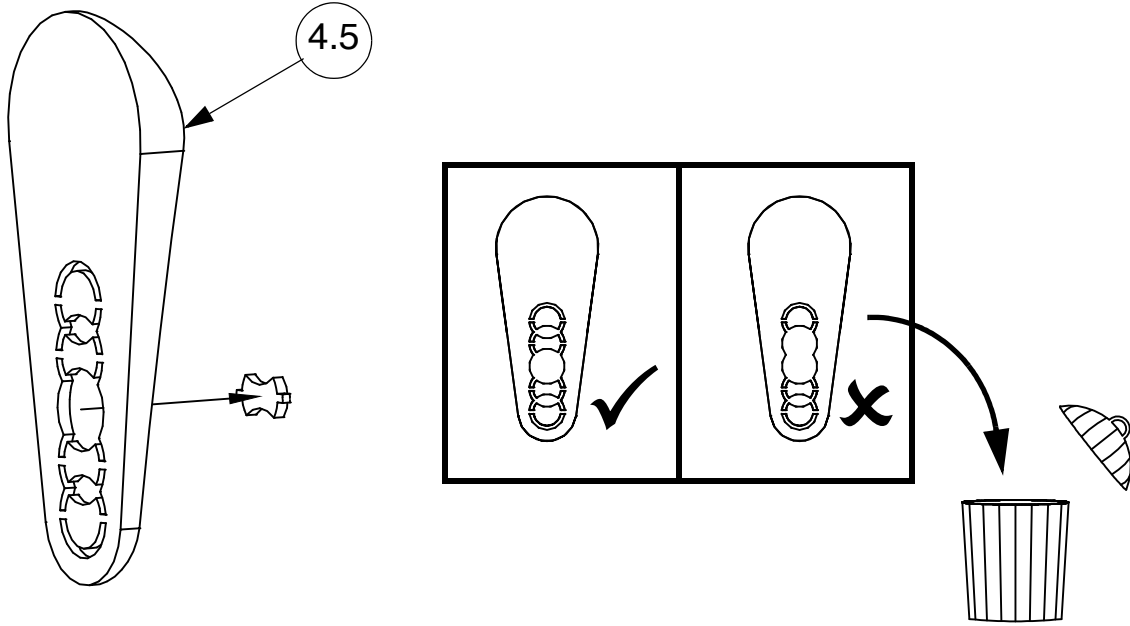


# STEP 1

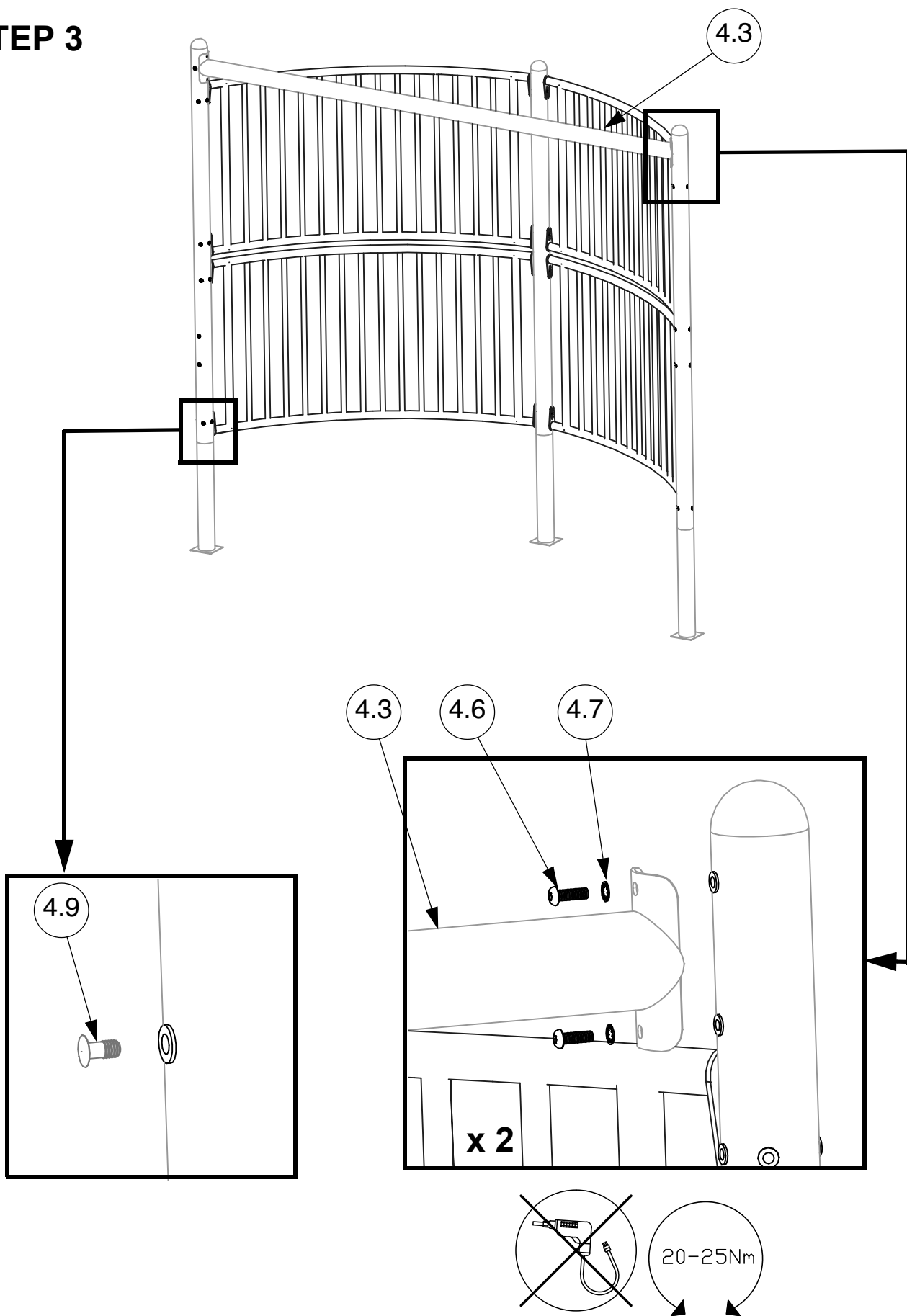


# STEP 2

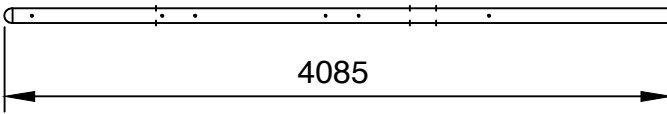
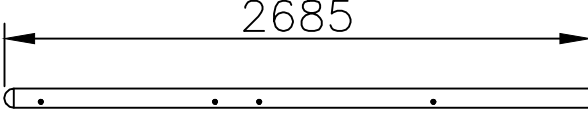
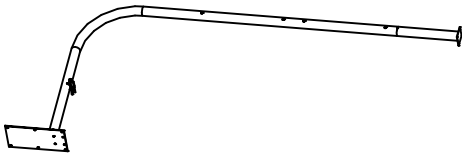
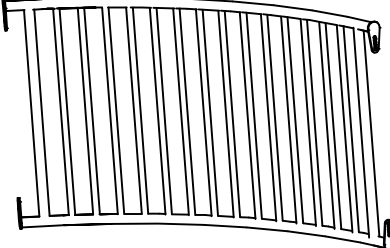
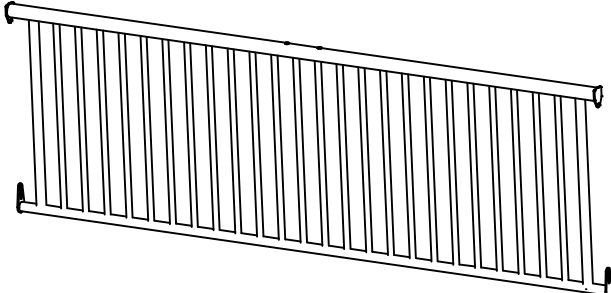
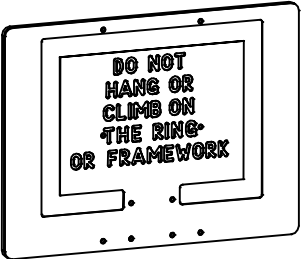
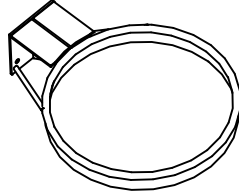


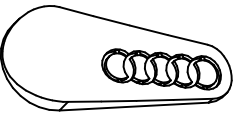
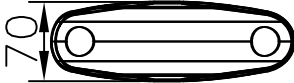
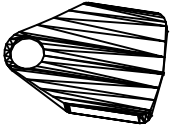
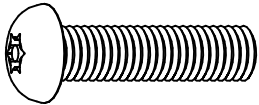
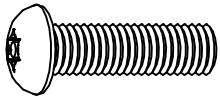
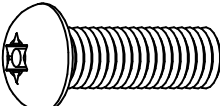
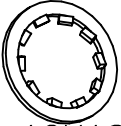
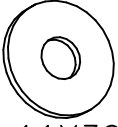
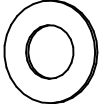
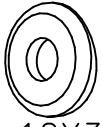


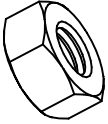
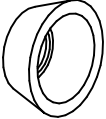
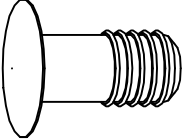
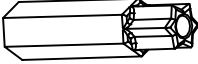
# STEP 3

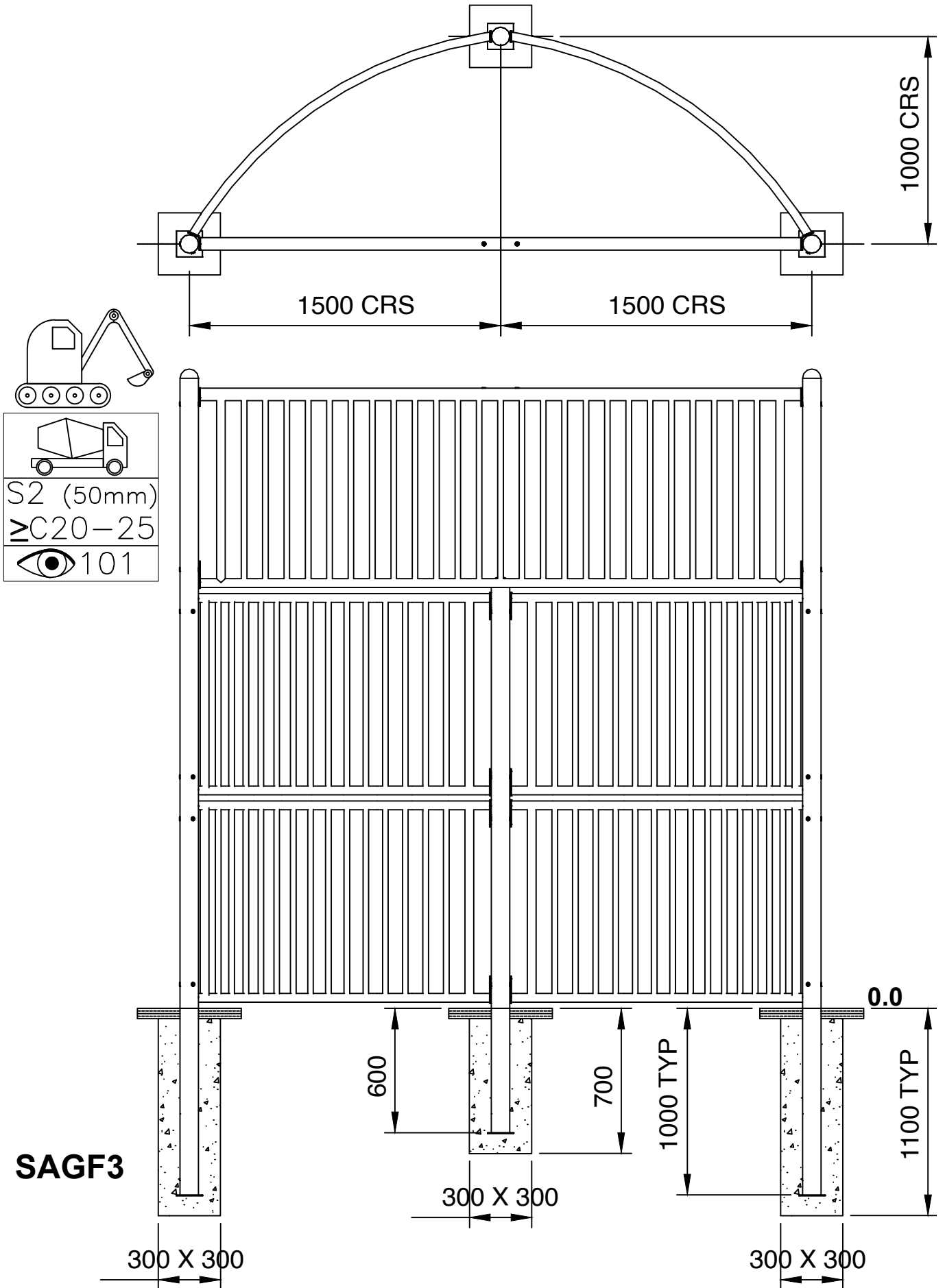


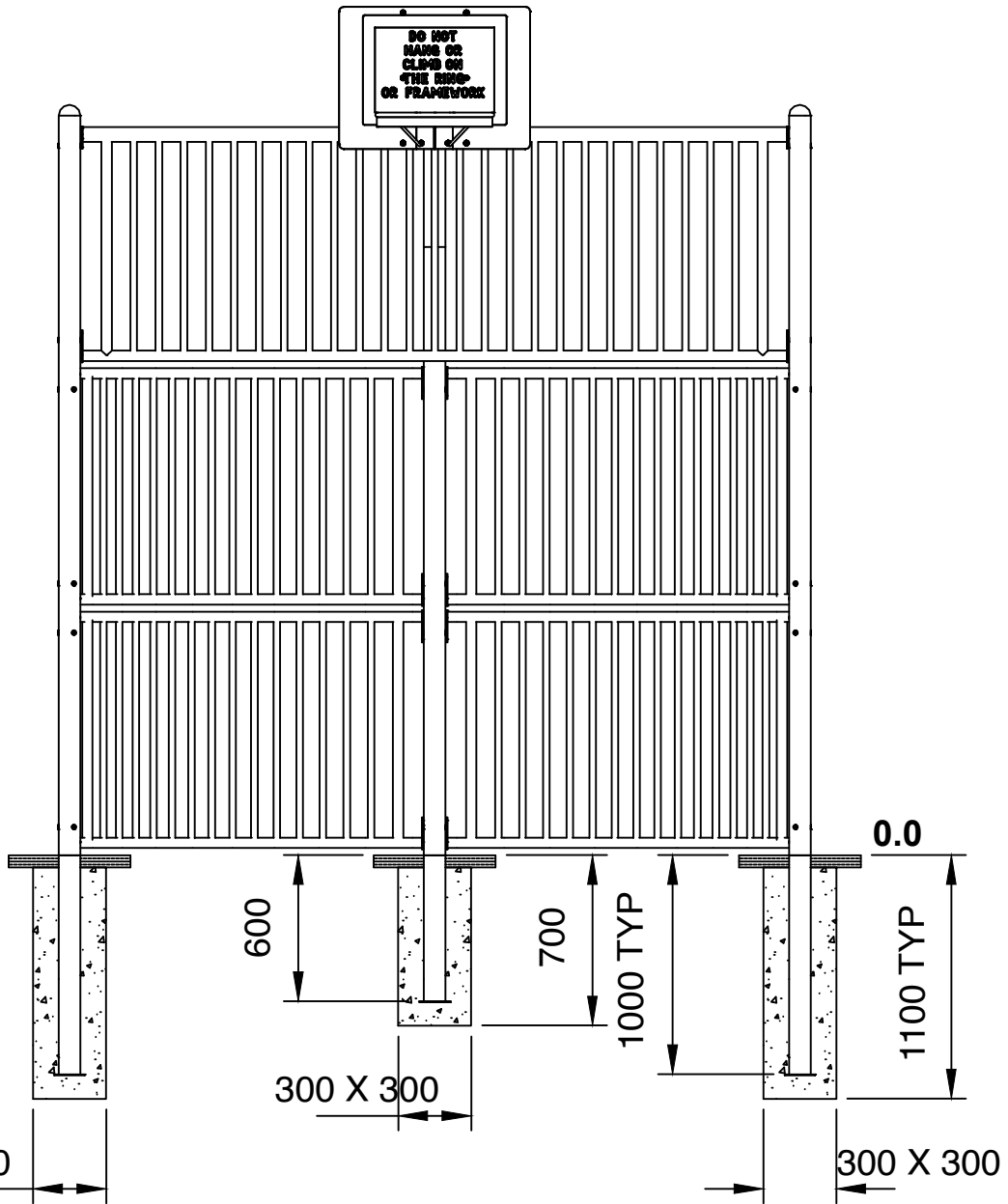
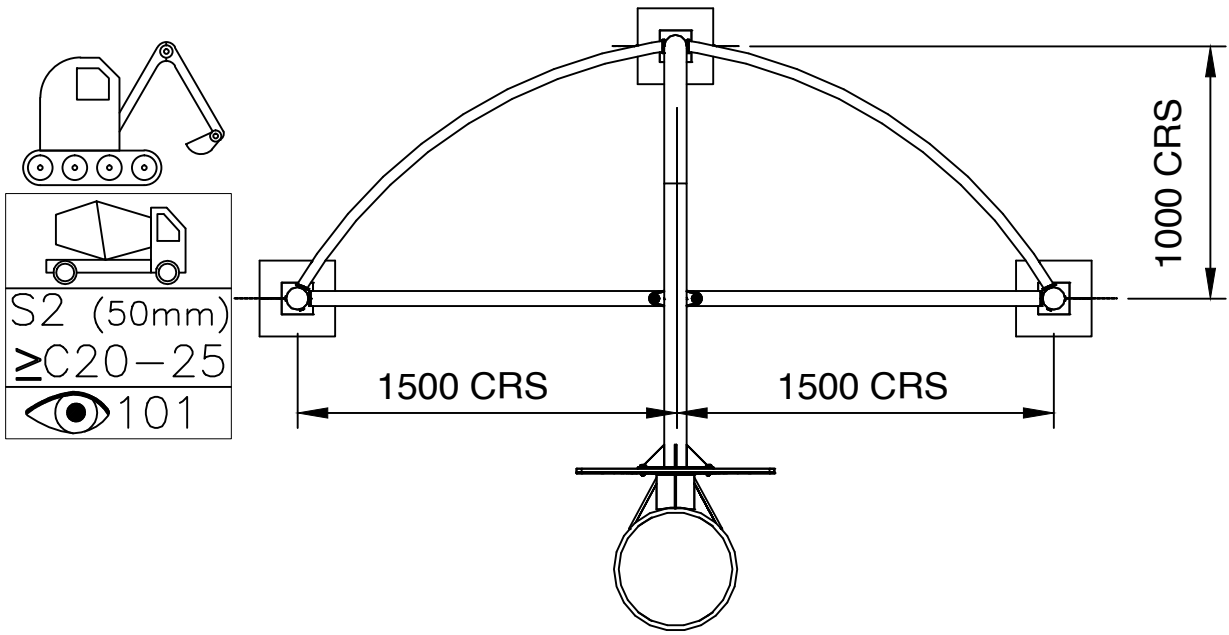
**5 SAGF3 & SAGF3B**

ITEM	CODE		SAGF3	SAGF3B	kg
5.1	24000134		2		34.00
5.2	24000105		1		21.00
	24000112			1	52.00
5.3	24000615		4		35.50
5.4	24000610		1		68.00
5.5	24000905			1	7.50
5.6	25000907			1	8.00

ITEM	CODE		SAGF3	SAGF3B	kg
5.7	19022401		18		0.010
5.8	19023803			1	0.050
5.9	19024503		2		0.020
5.10	10121040	 M10 X 40		6	0.037
5.11	10121035	 M10 X 35		6	0.032
5.12	10121030	 M10 X 30	20	26	0.028
5.13	10301000	 M10 12X18X1	20	40	0.002
5.14	10309999	 M10 11X30X2.5	18		0.011
5.15	10291000	 M10 11X21X1	2	4	0.002
5.16	38001019	 M10 12X32X6.5		2	0.002

ITEM	CODE		SAGF3	SAGF3B	kg
5.17	10271000	 M10		20	0.020
5.18	10411000	 M10		20	0.020
5.19	19024501		26	24	0.001
5.20	10121000	 T45 M10		1	

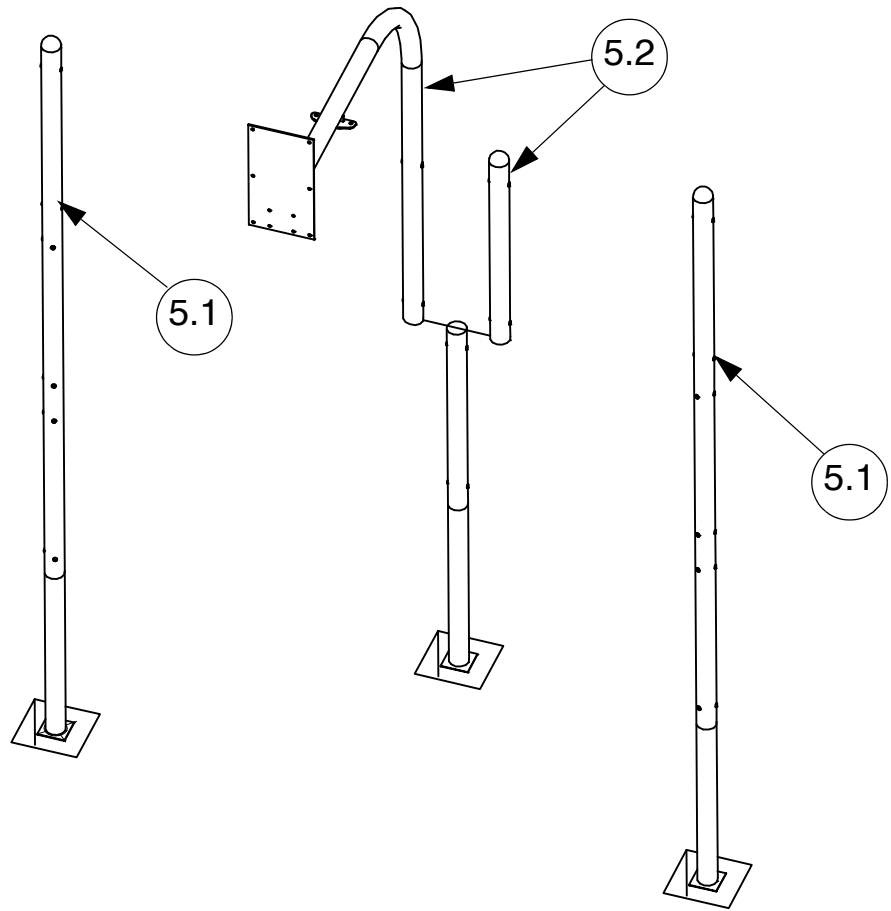




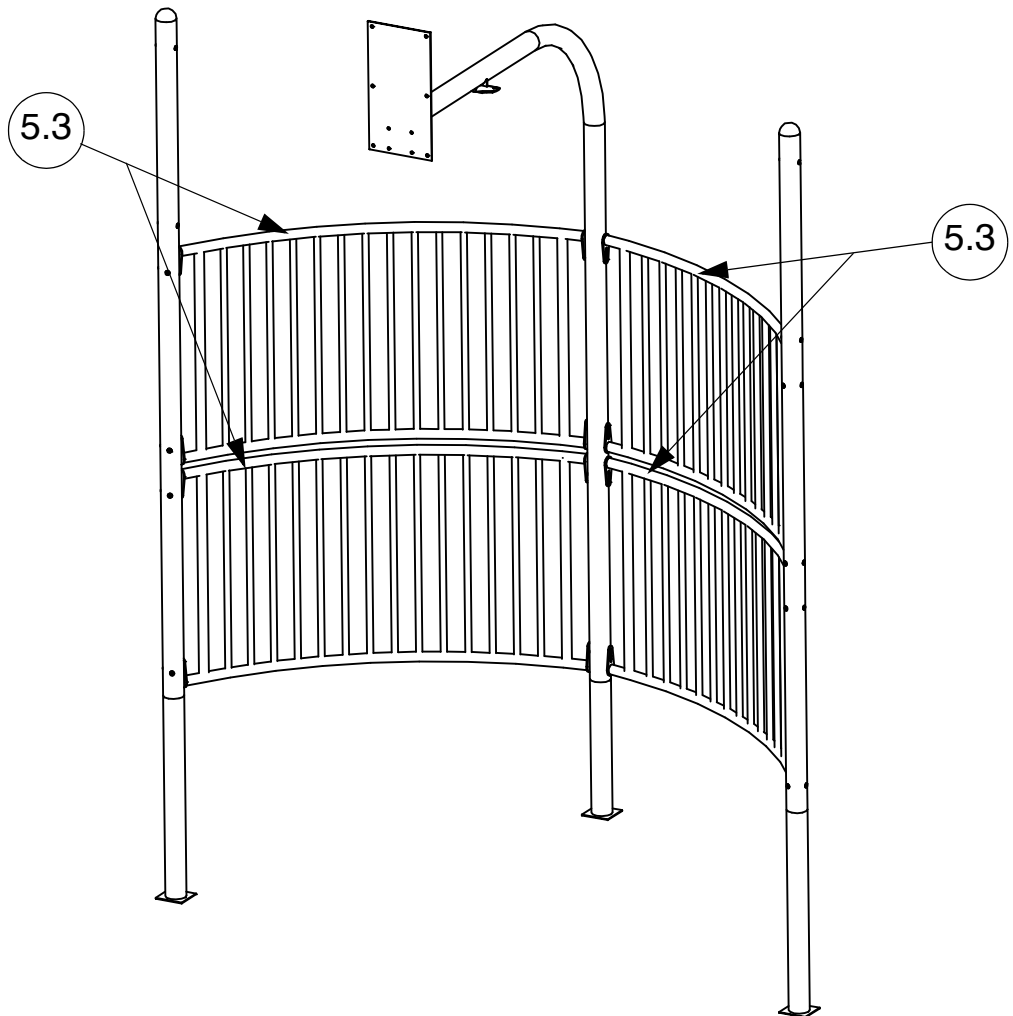
**SAGF3B**

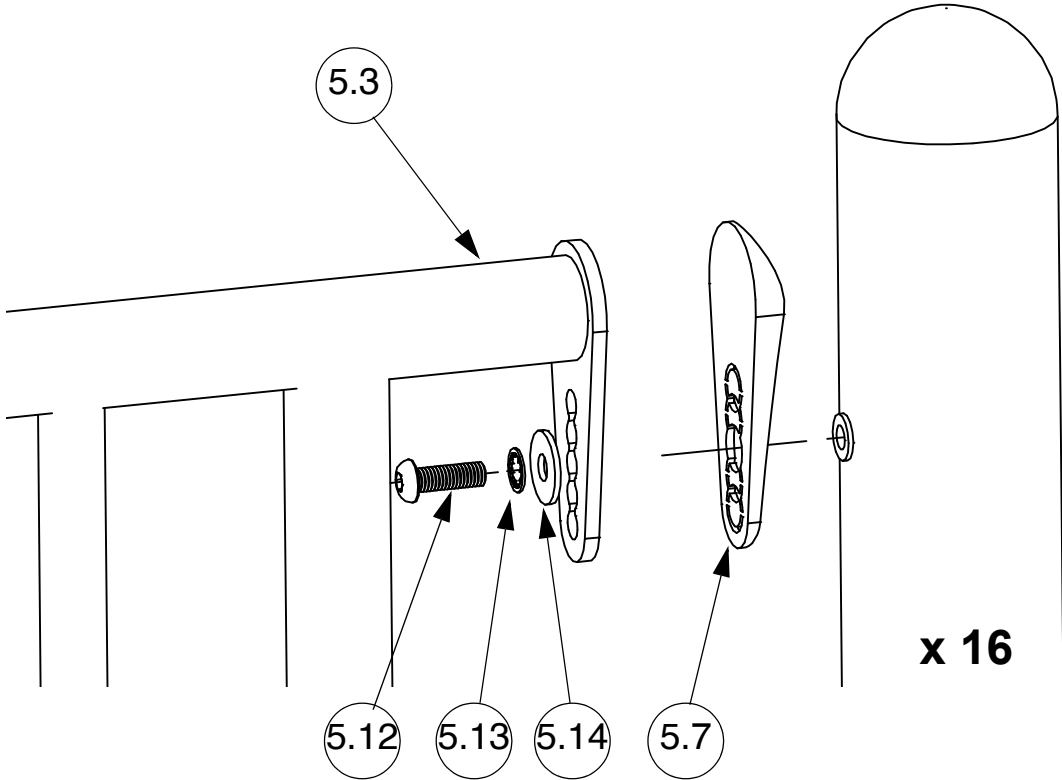
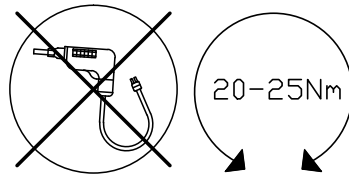
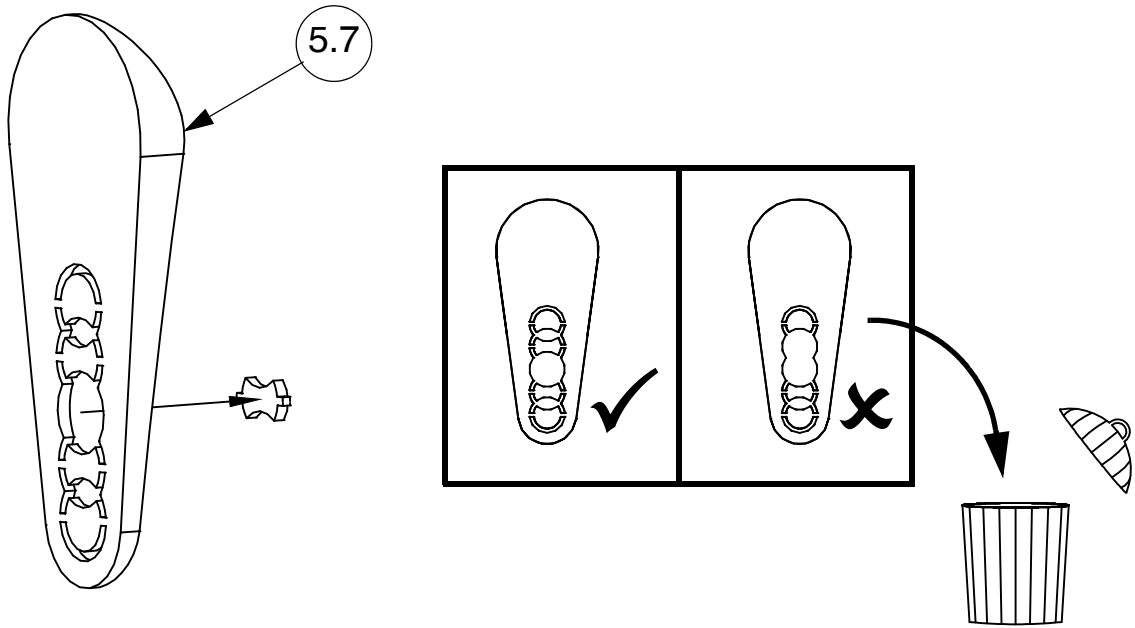


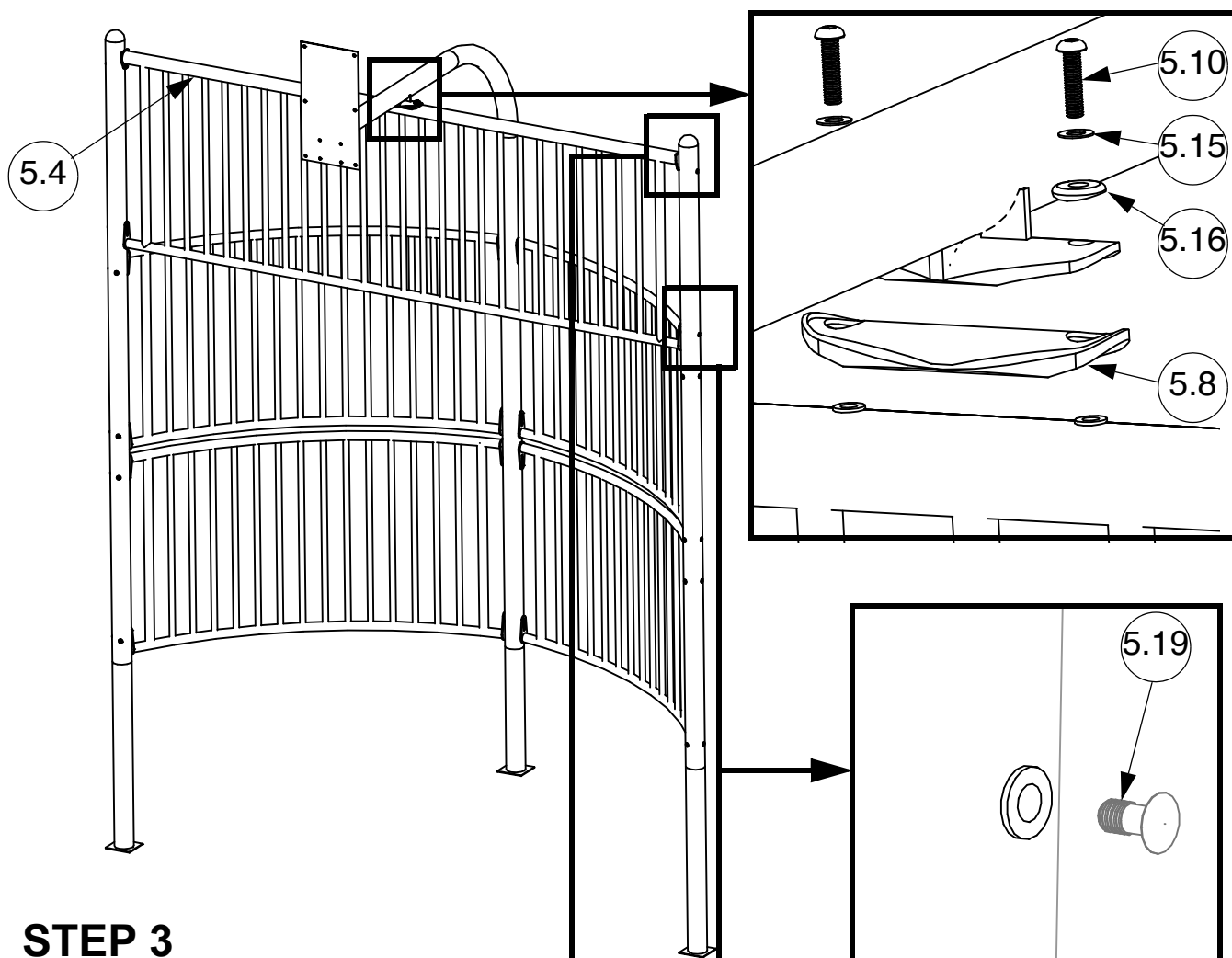
# STEP 1



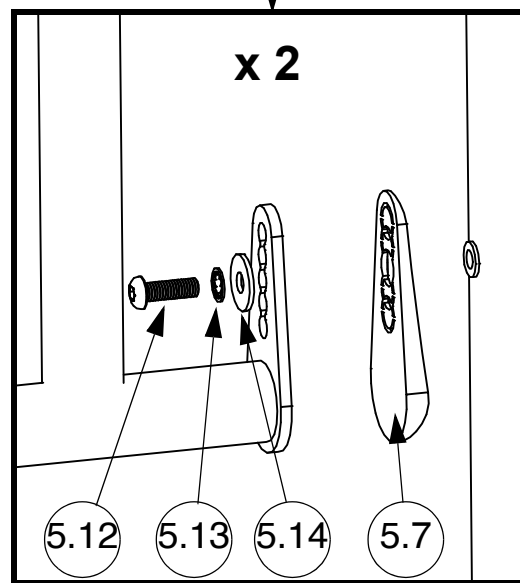
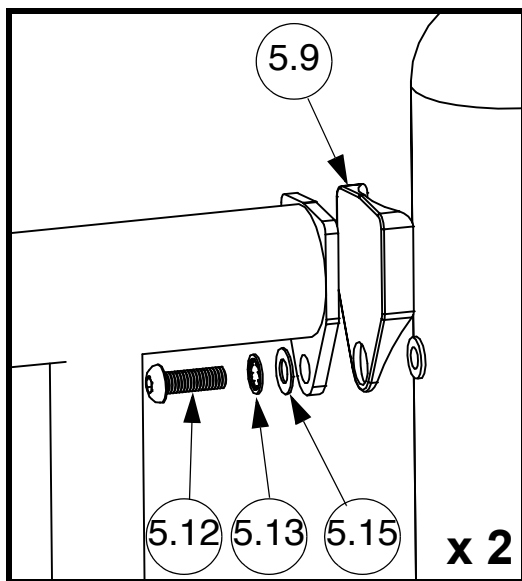
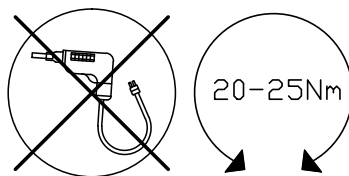
# STEP 2

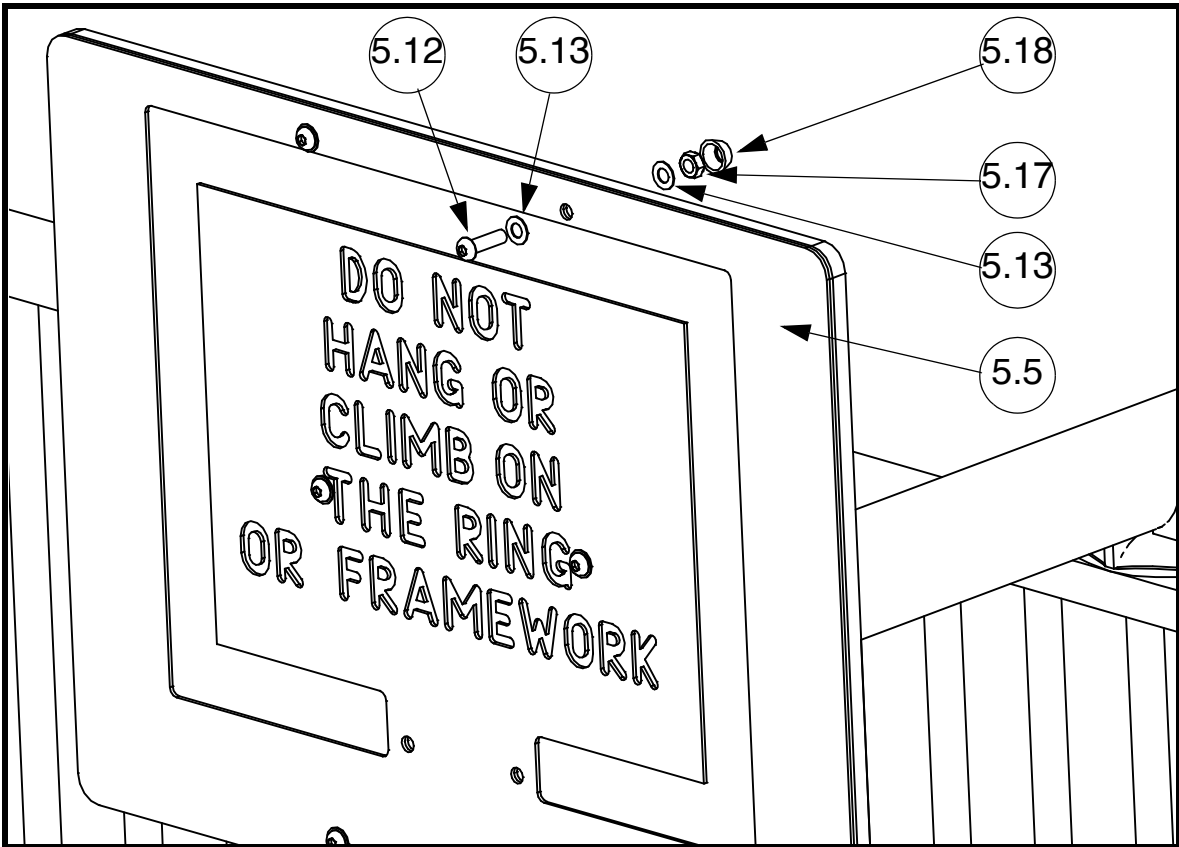




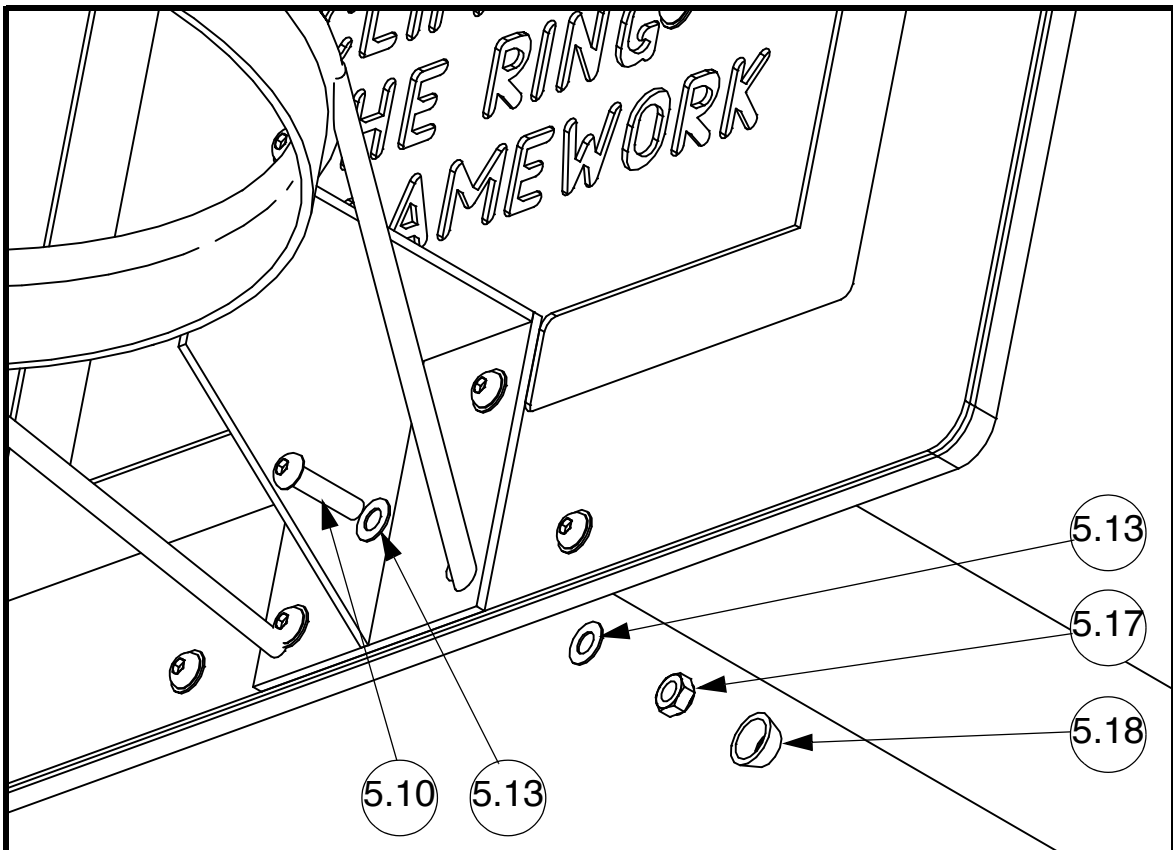
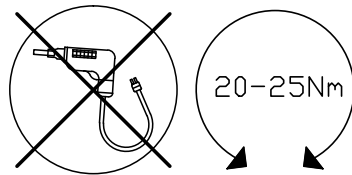


**STEP 3**





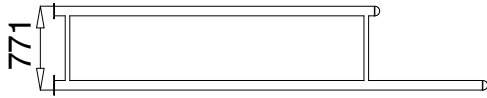
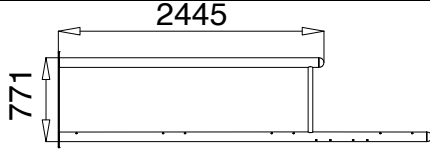
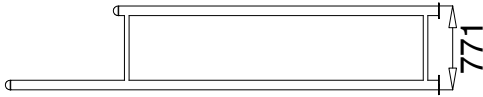
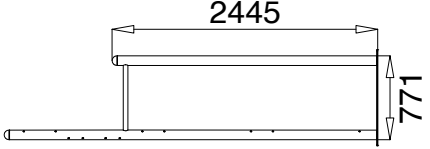
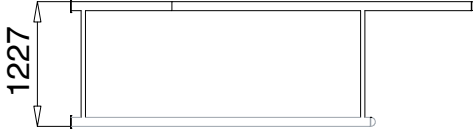
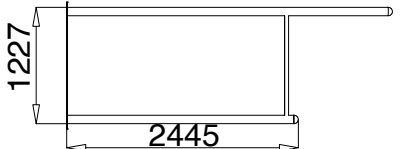

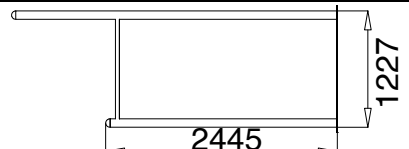
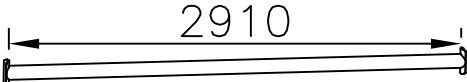
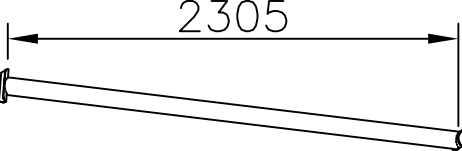
**STEP 4**

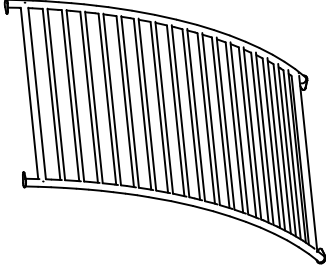
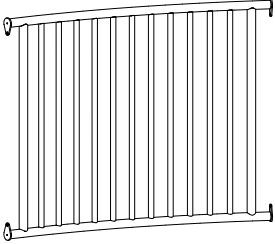
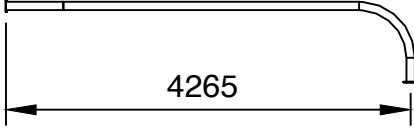
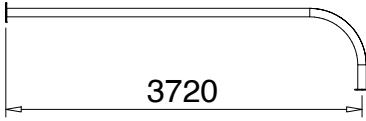
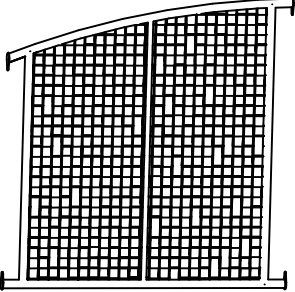
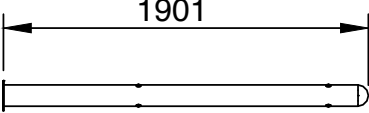
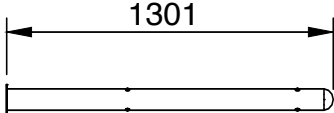
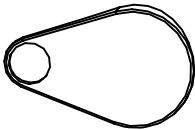


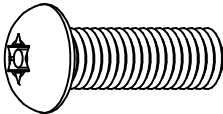
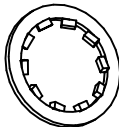
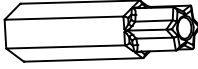
**STEP 5**

Section 2: GOALS / BUTS / TORE / PORTE DA CALCETTO / MÅL

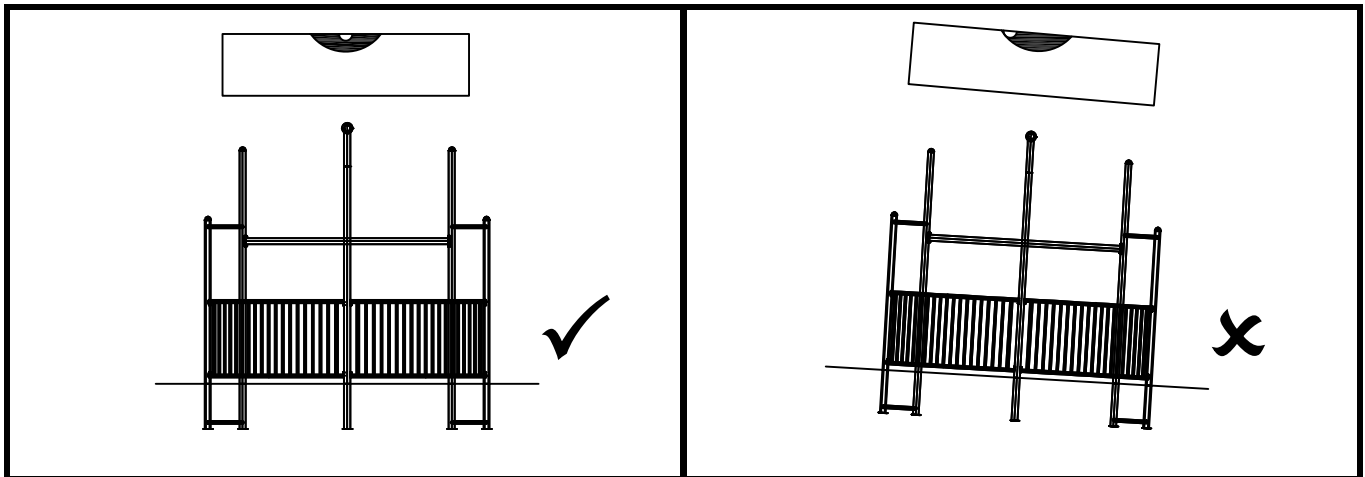
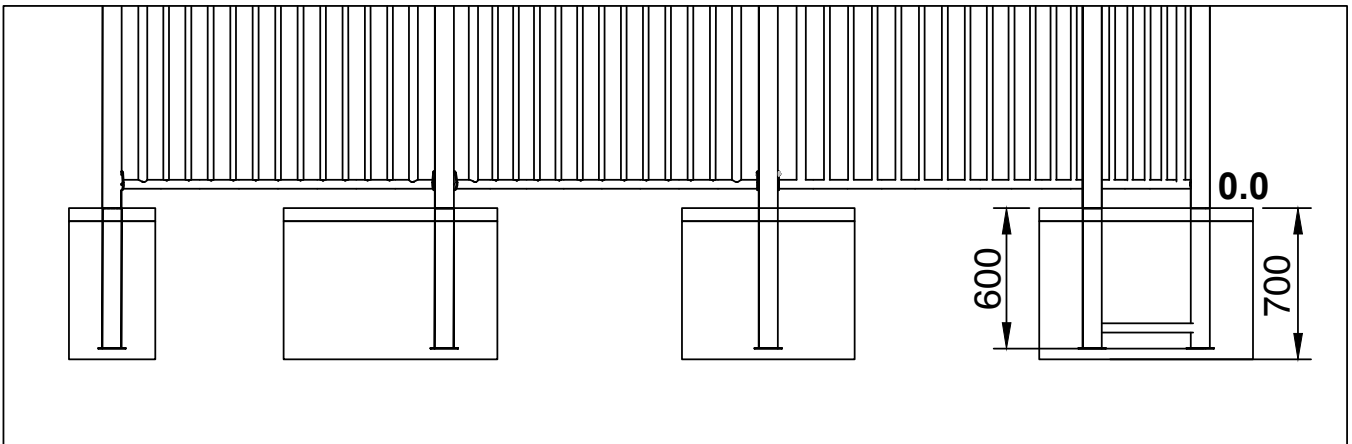
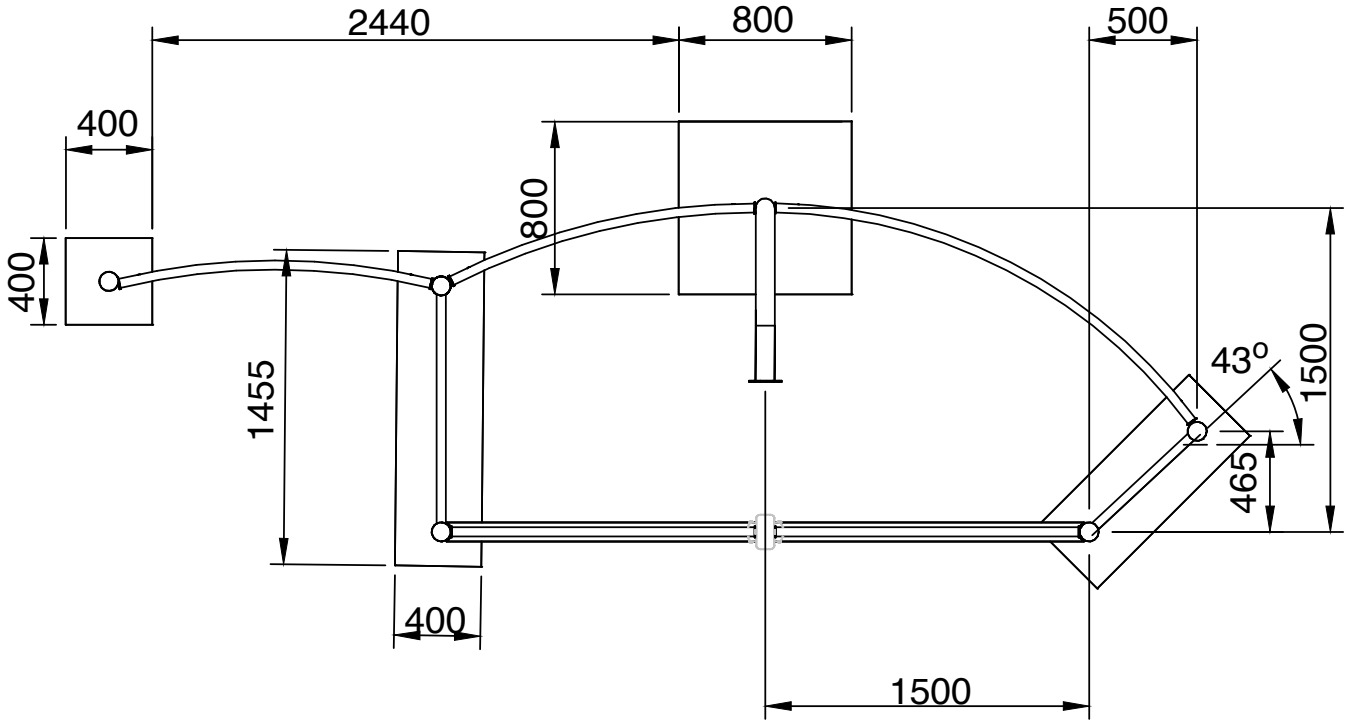
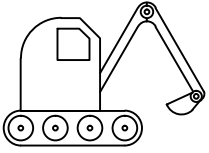
1 SAG2BIL SAG2BIR SAG2BIRD SAG2BIL

ITEM	REF.		QTY				kg
			SAG2BIL	SAG2BILD	SAG2BIR	SAG2BIRD	
1.1	24000101 RH		1				63.00
	24000101 DMRH			1			61.48
1.2	24000101 LH				1		63.00
	24000101 DMLH					1	61.48
1.3	SW88147		1				54.08
	SW89369			1			59.35
1.4	SW88610				1		54.08
	SW89379					1	59.35
1.5	25000205				1		27.00
1.6	25000201				1		14.00

ITEM	REF.		QTY				kg
			SAG2BIL	SAG2BILD	SAG2BIR	SAG2BIRD	
1.7	24000301		2				50.00
1.8	SW88170		3				35.00
1.9	24000111		1		1		50.00
	24000111 DM			1		1	42.13
1.10	25000405		2				26.00
1.11	SW88932		1		1		12.34
	SW89431			1		1	11.00
1.12	19025501		28				0.015

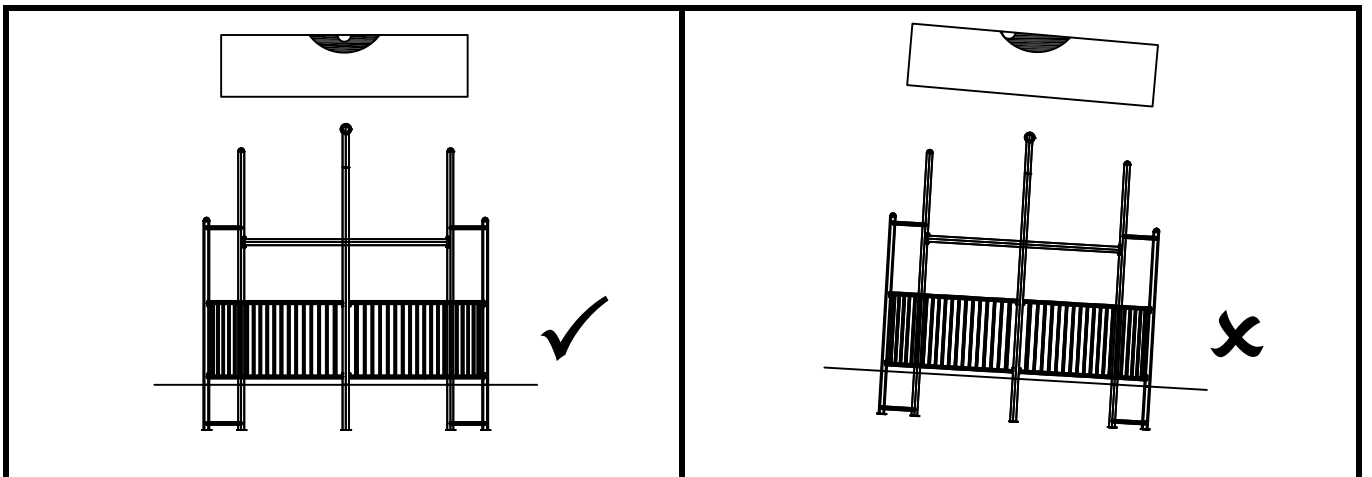
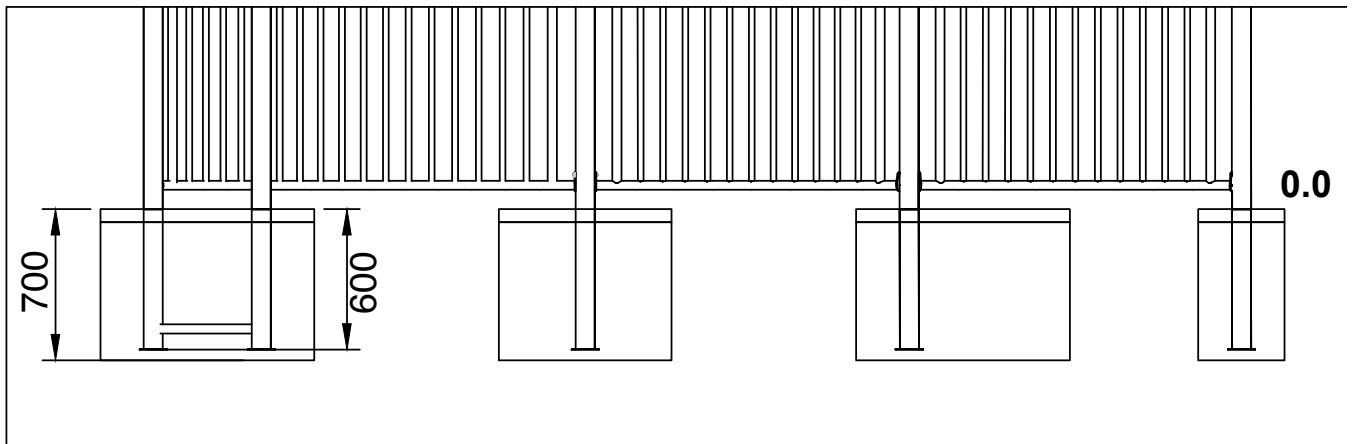
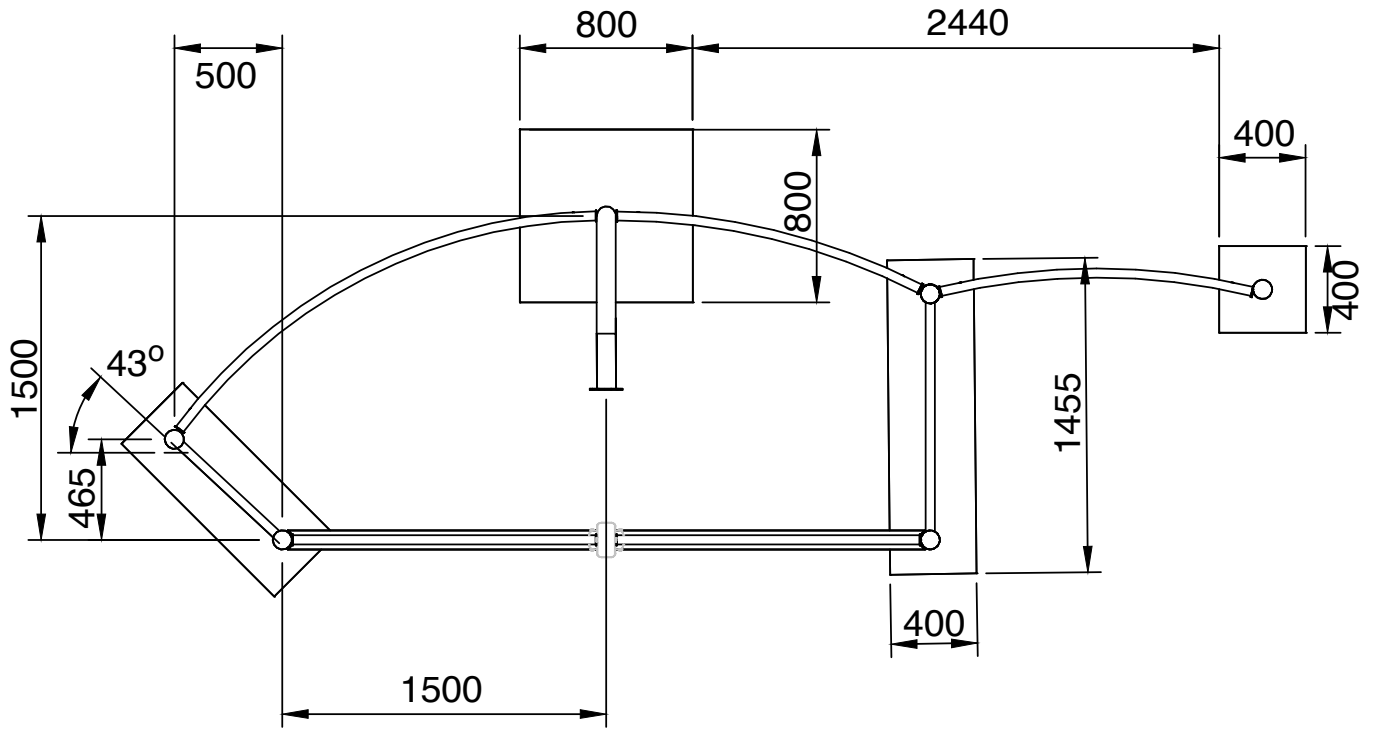
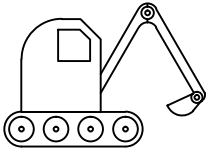
ITEM	REF.		QTY				kg
			SAG2BIL	SAG2BILD	SAG2BIR	SAG2BIRD	
1.13	10121030	 M10 X 30		34			0.028
1.14	10301000	 M10 12X18X1		34			0.002
1.15	10121000	 T45 M10					

SAG2BIL SAG2BILD

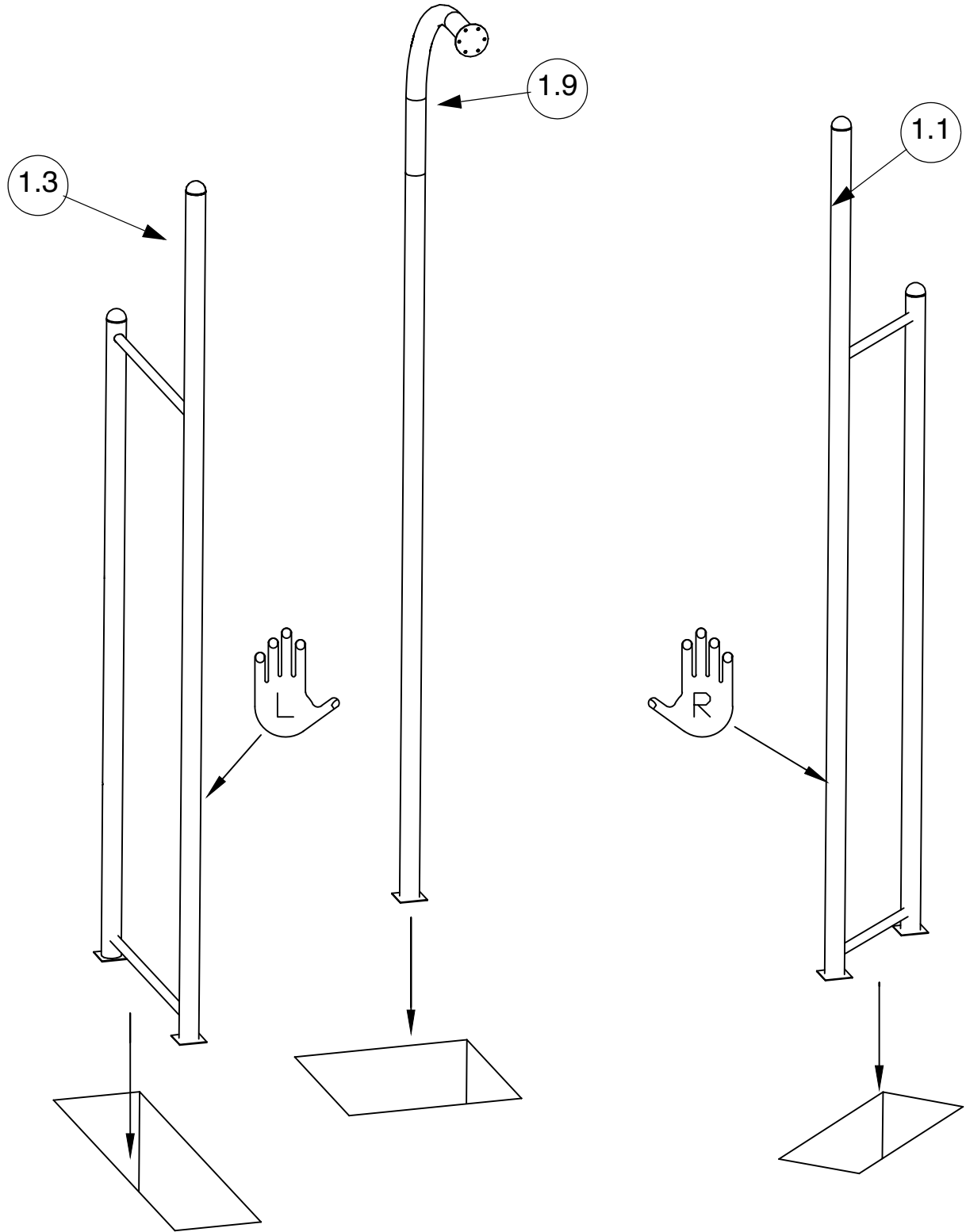




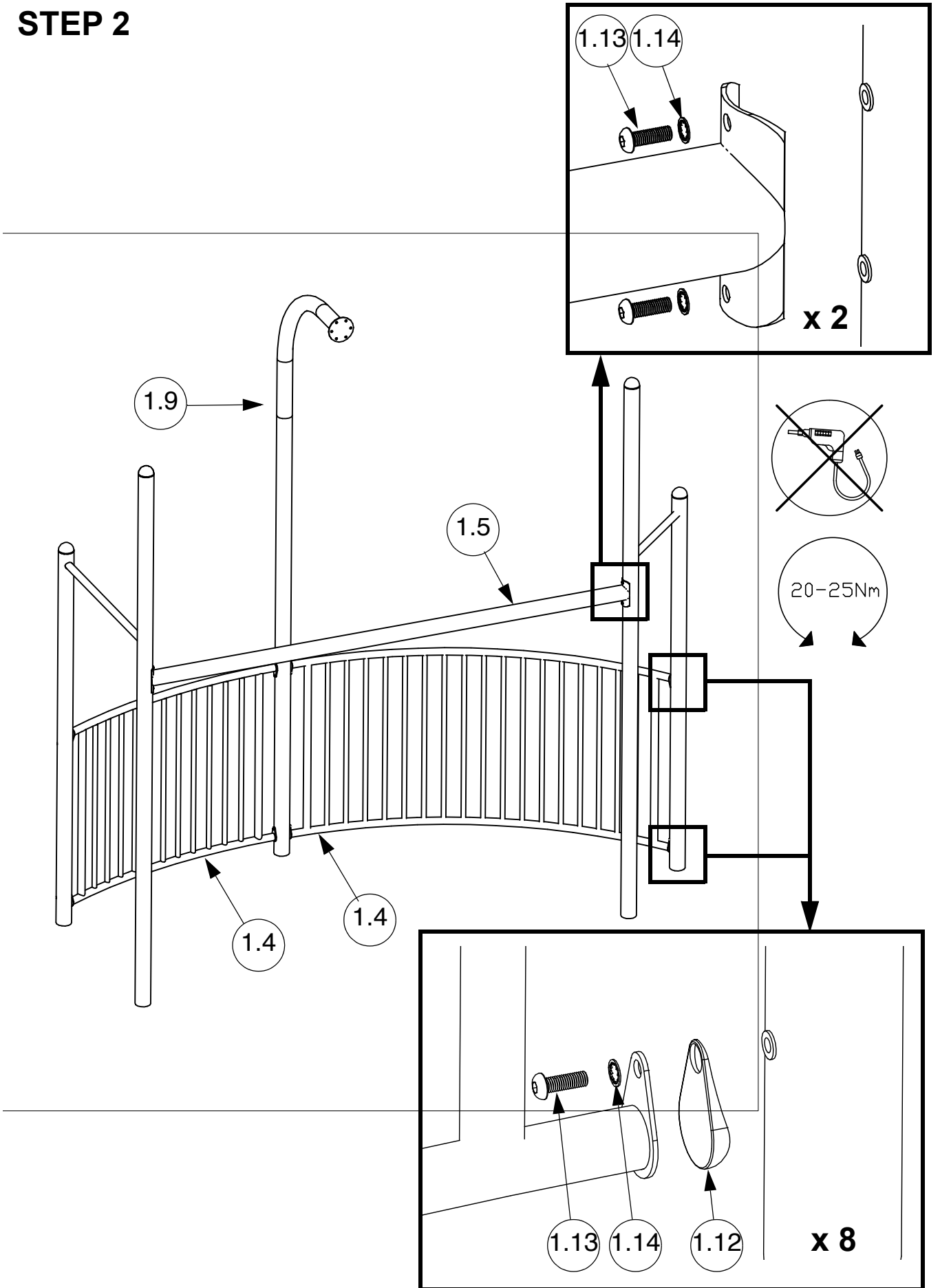
SAG2BIR, SAG2BIRD



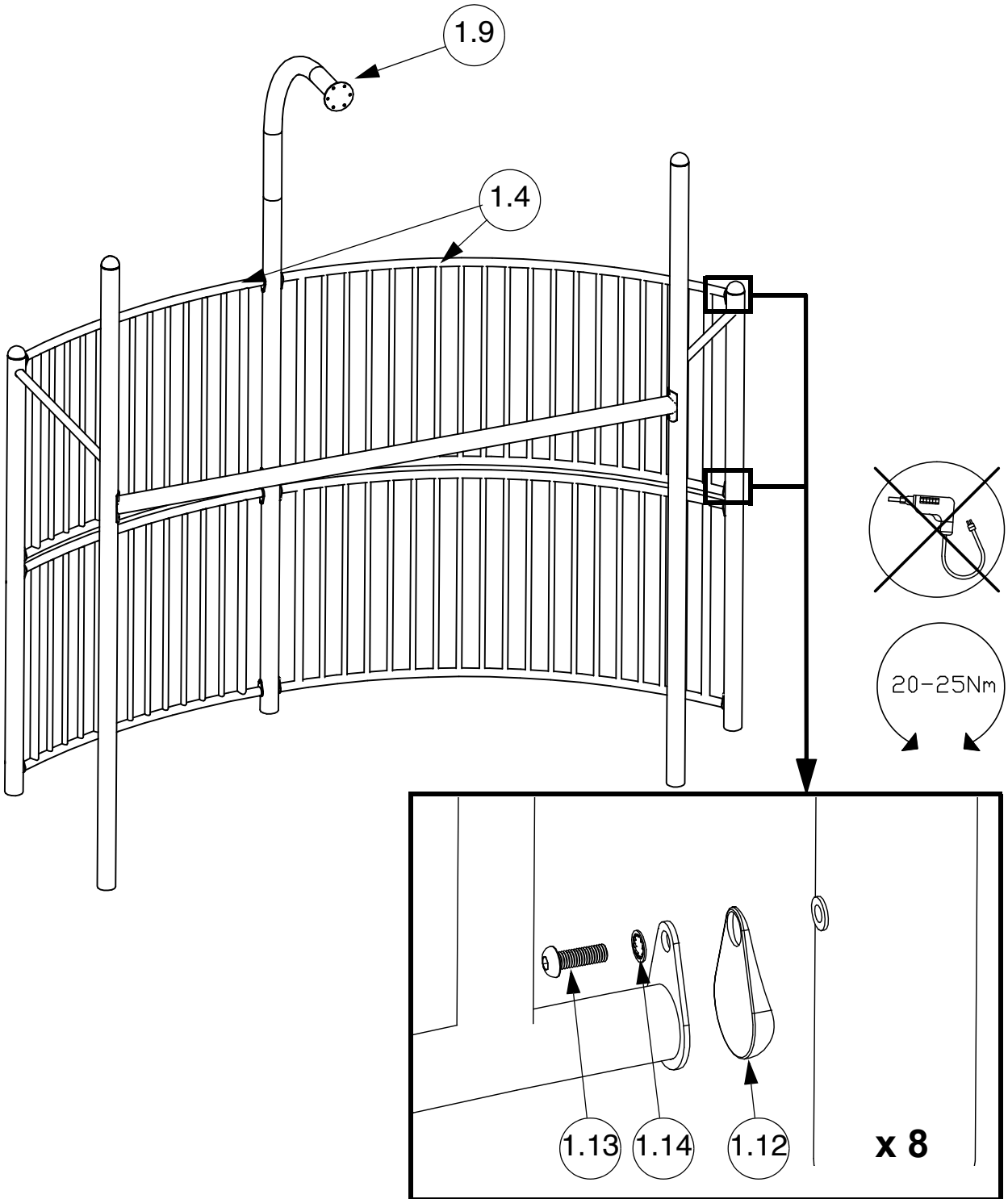
# STEP 1



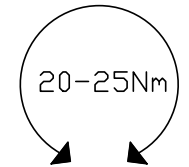
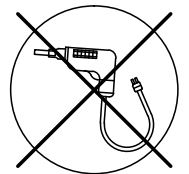
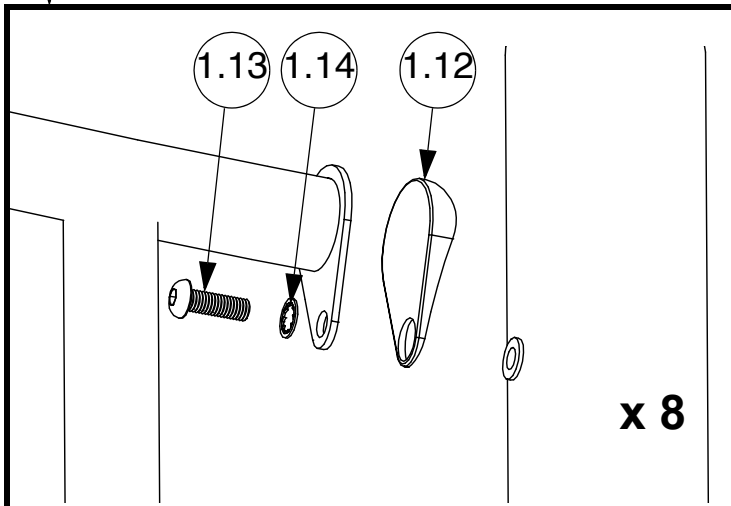
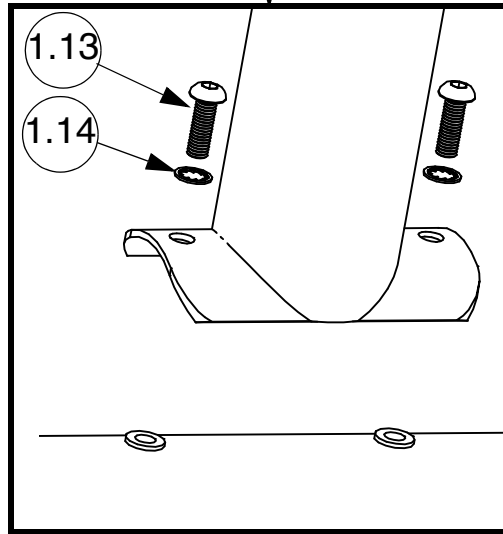
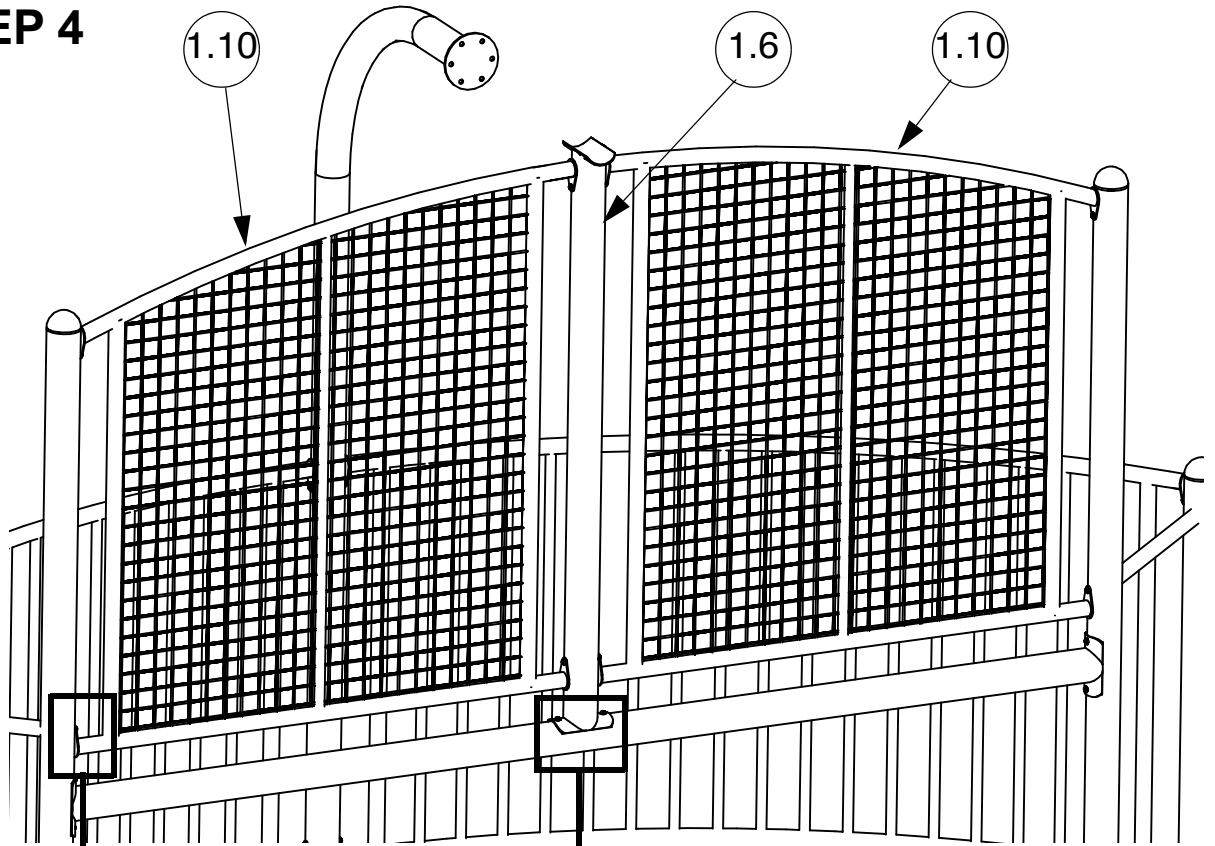
# STEP 2



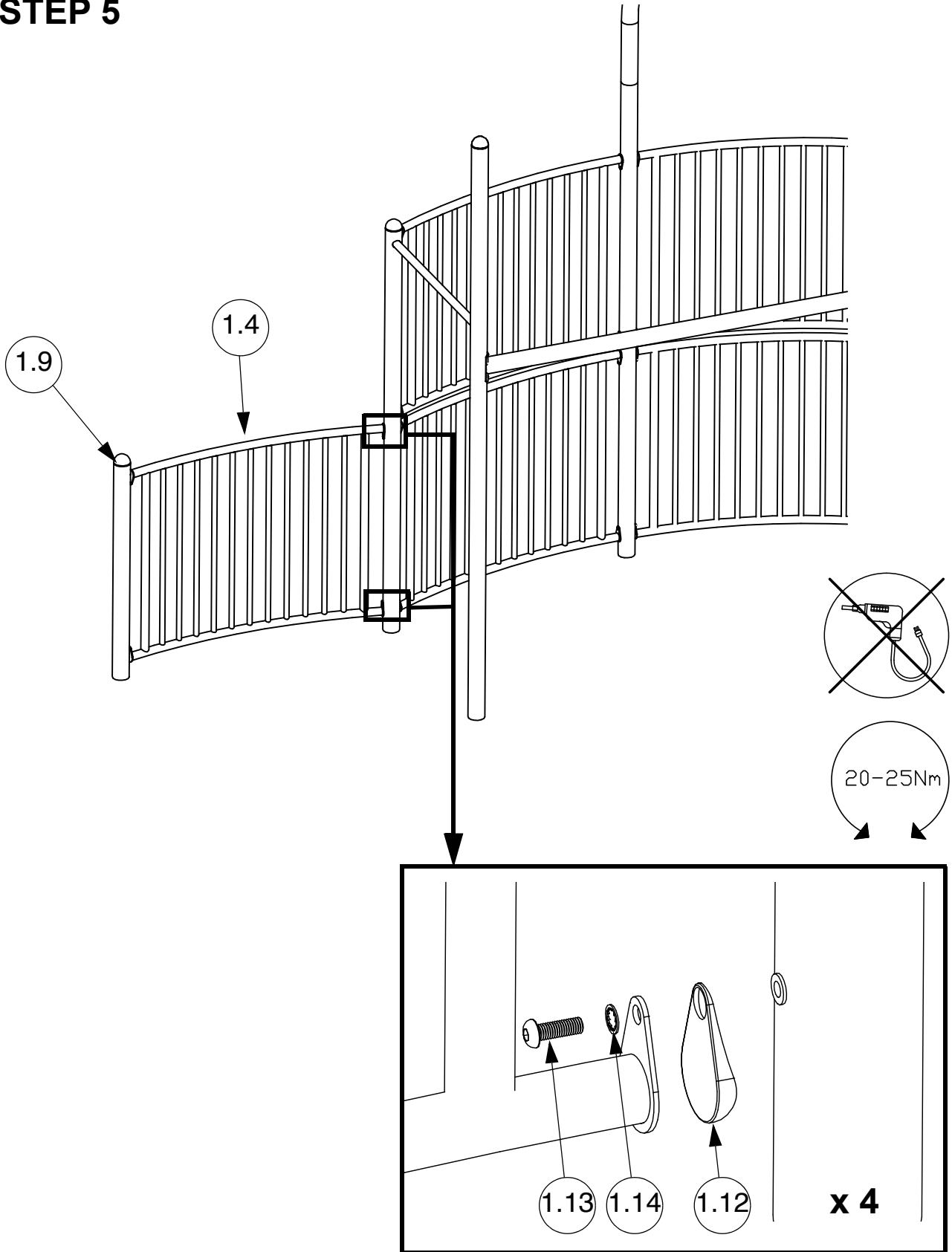
# STEP 3



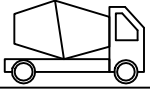

# STEP 4

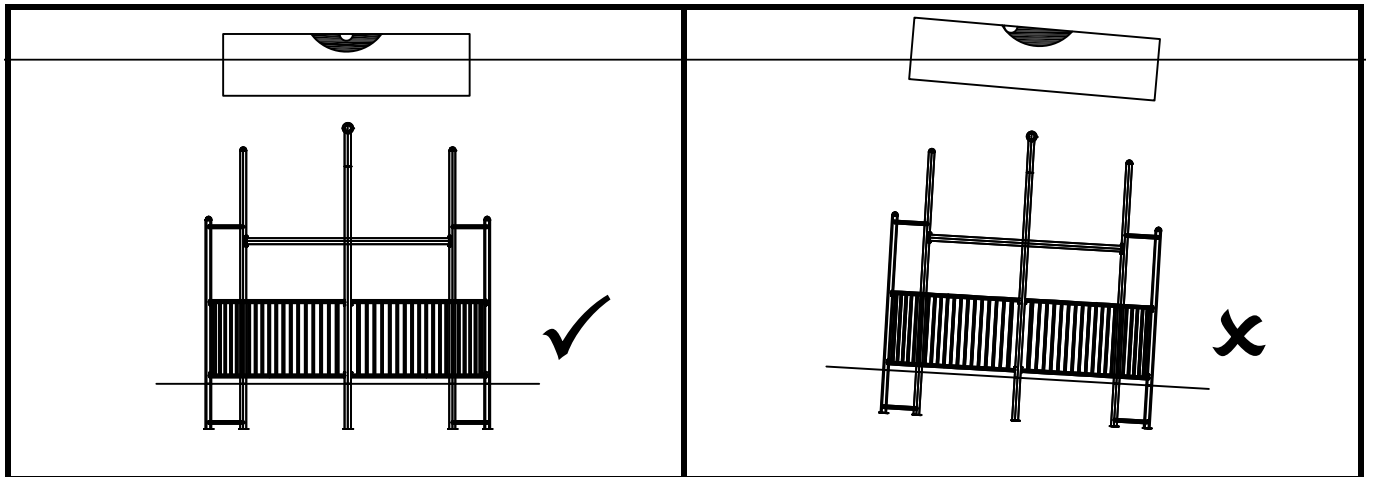
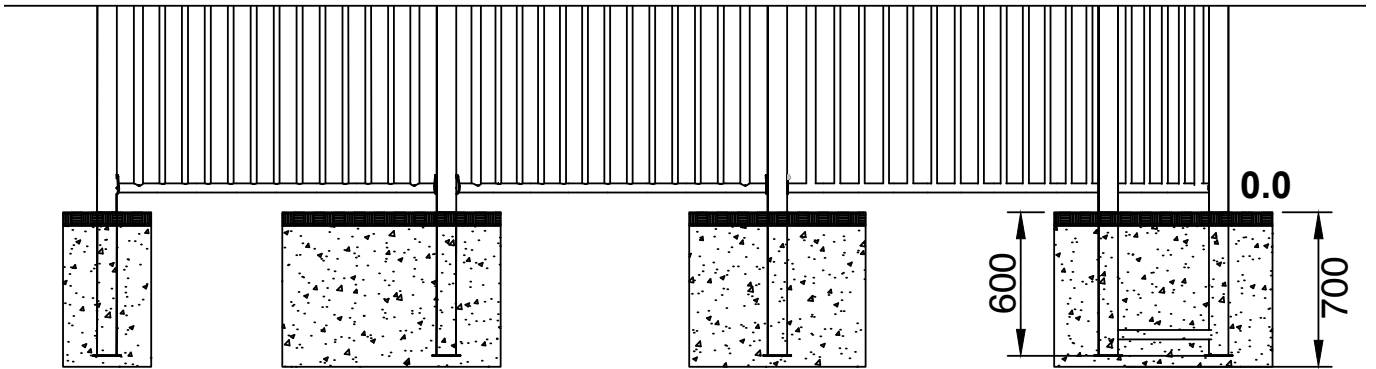
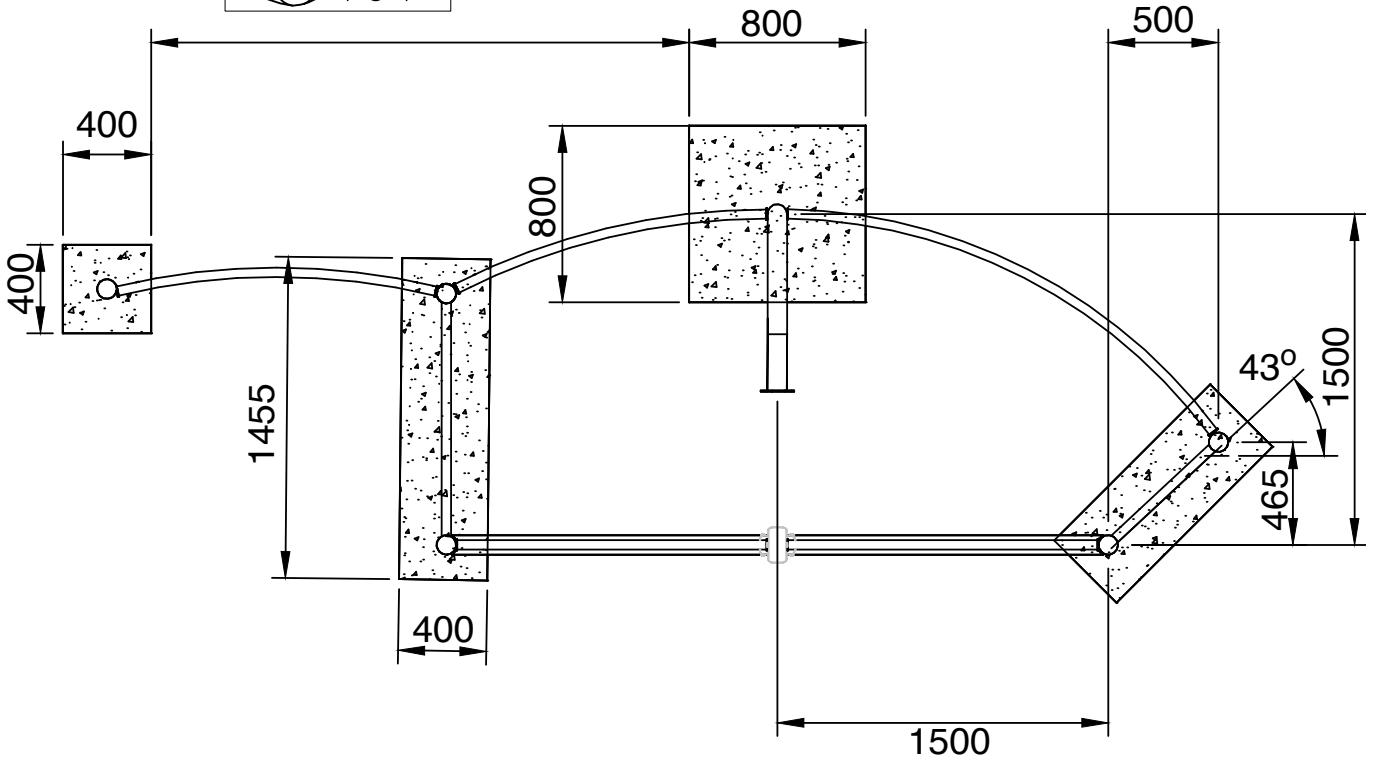


# STEP 5

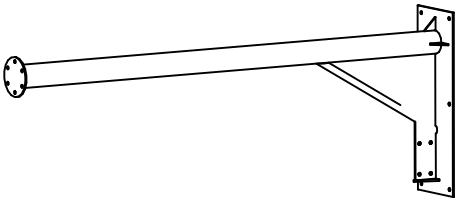
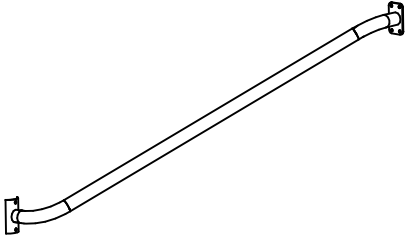
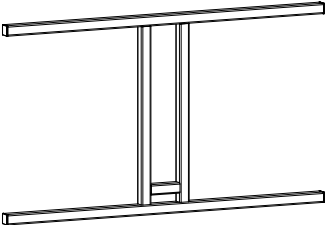
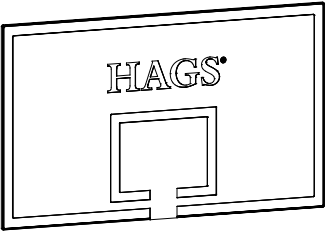
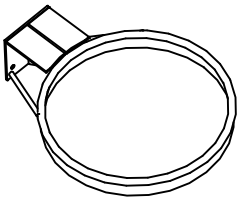
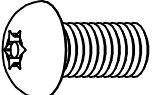
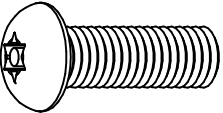


# STEP 6

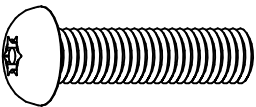
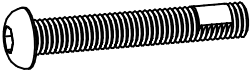
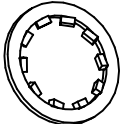
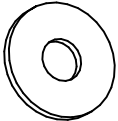
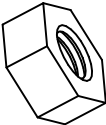
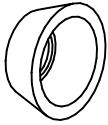

S2 (50mm)
≥C20-25
 101

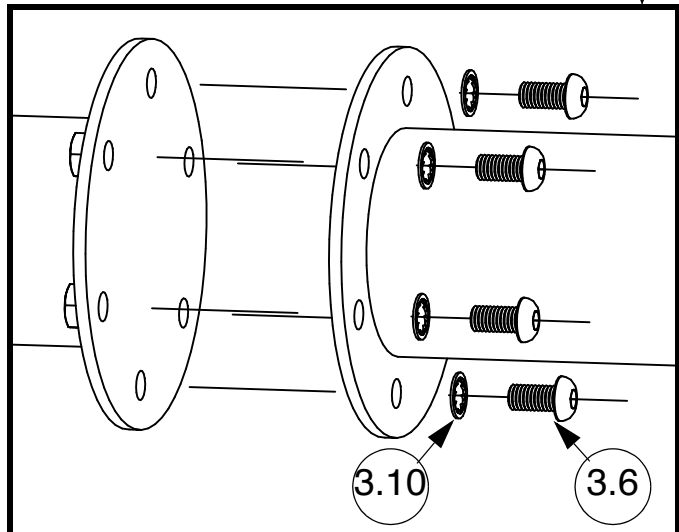
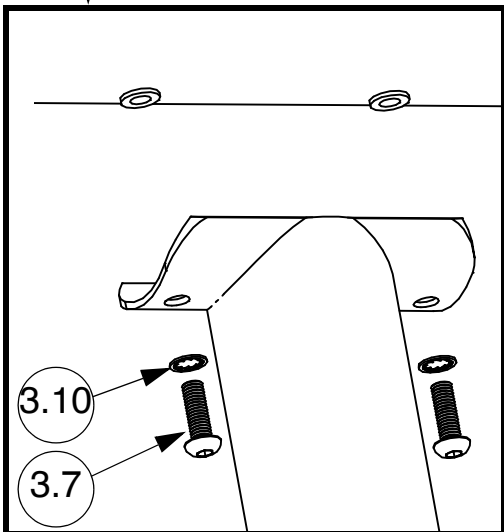
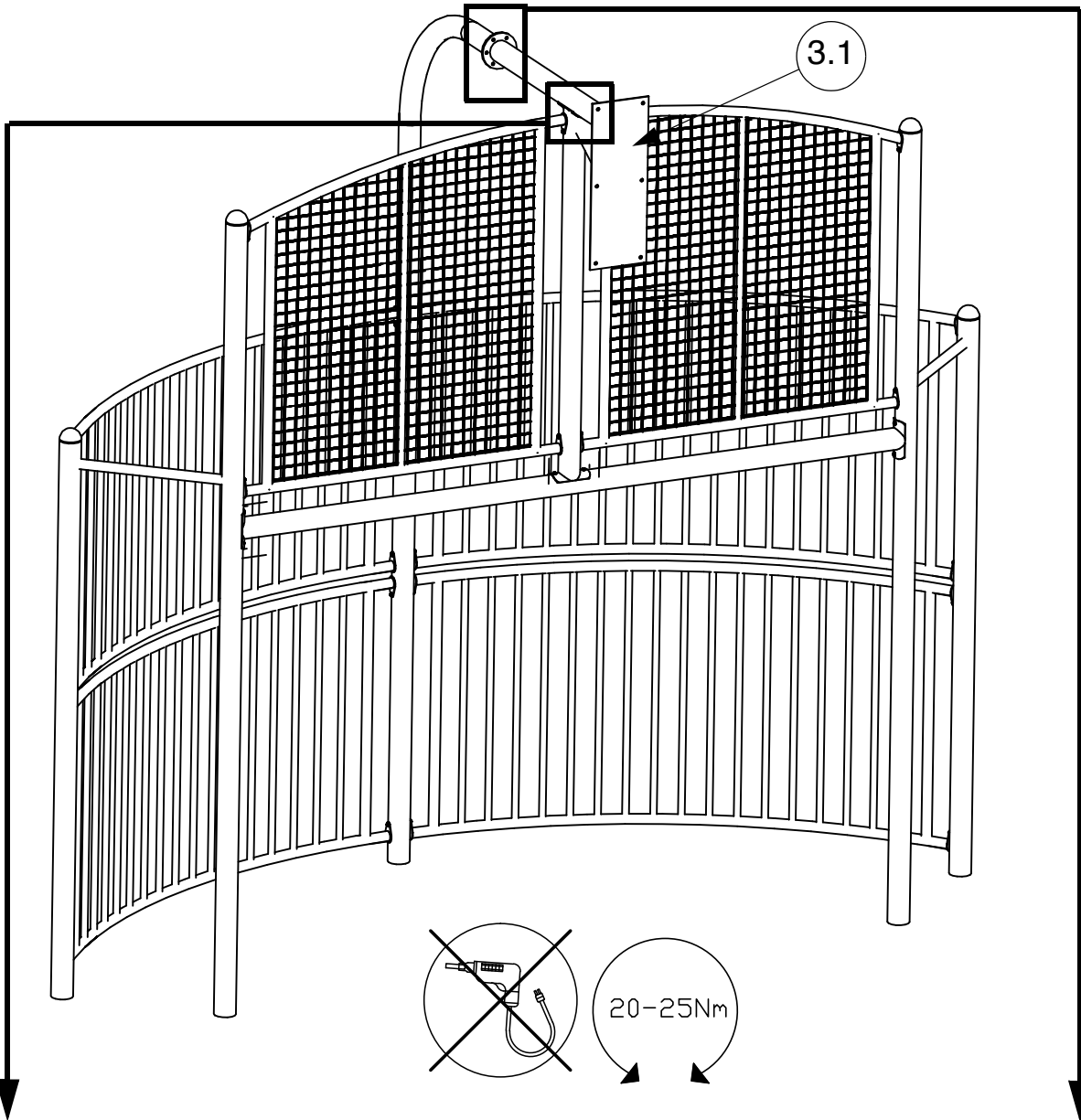


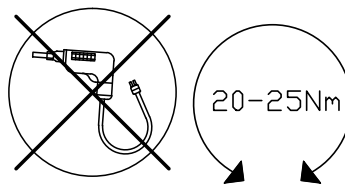
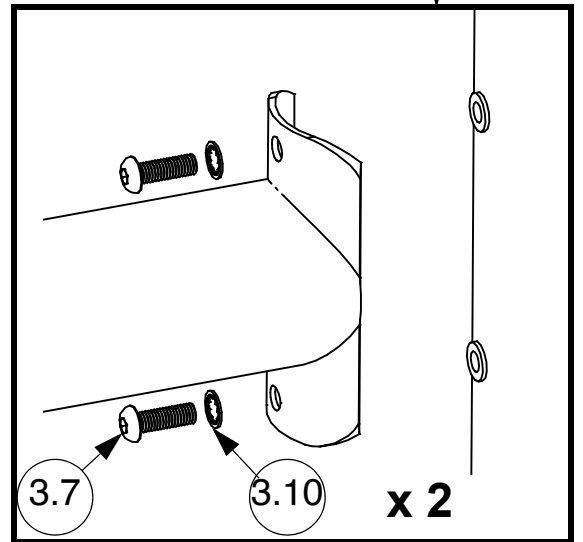
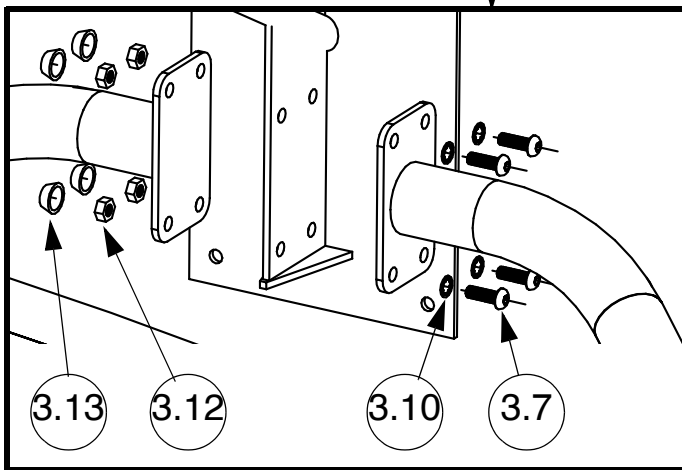
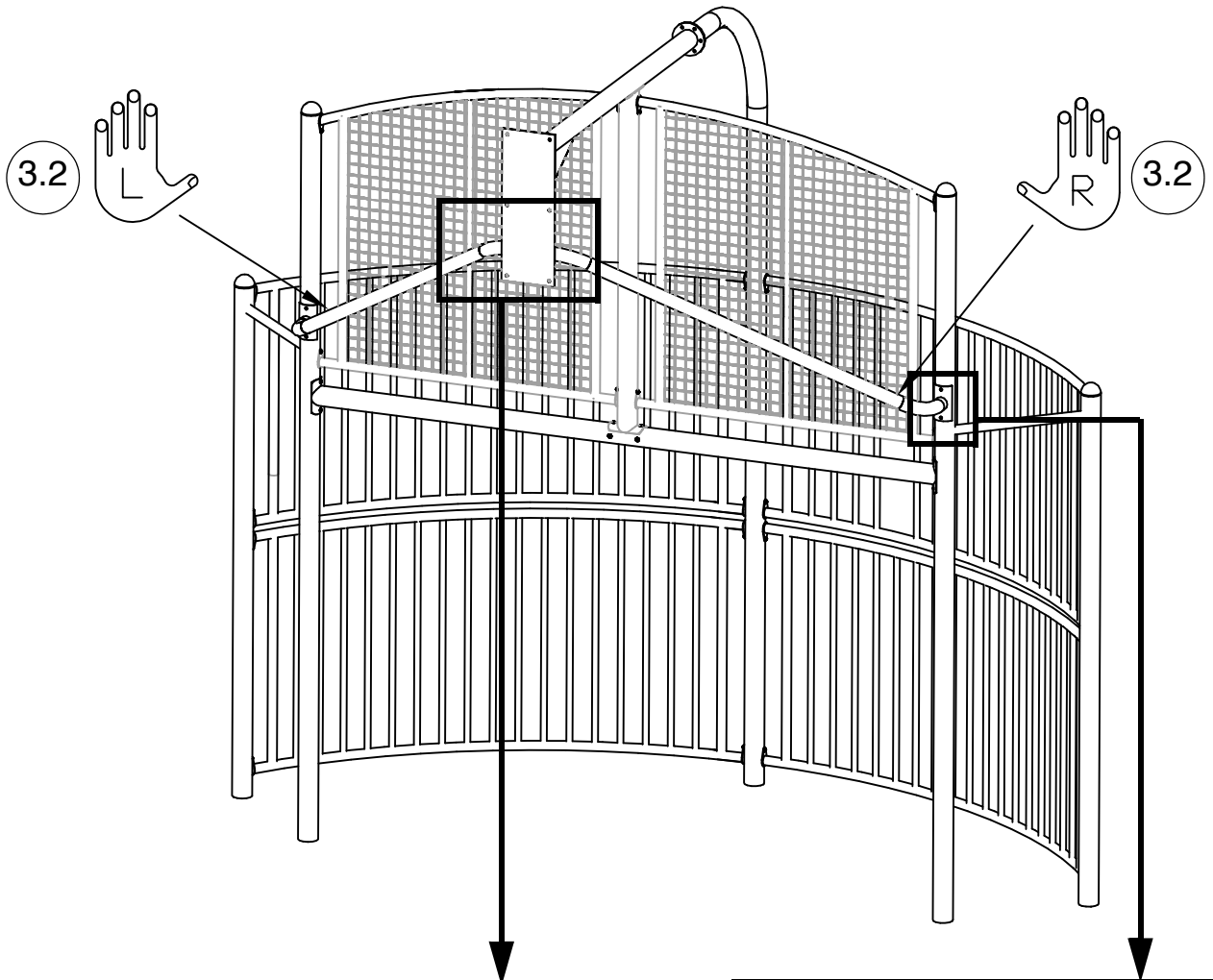
**2 SAMBR18**

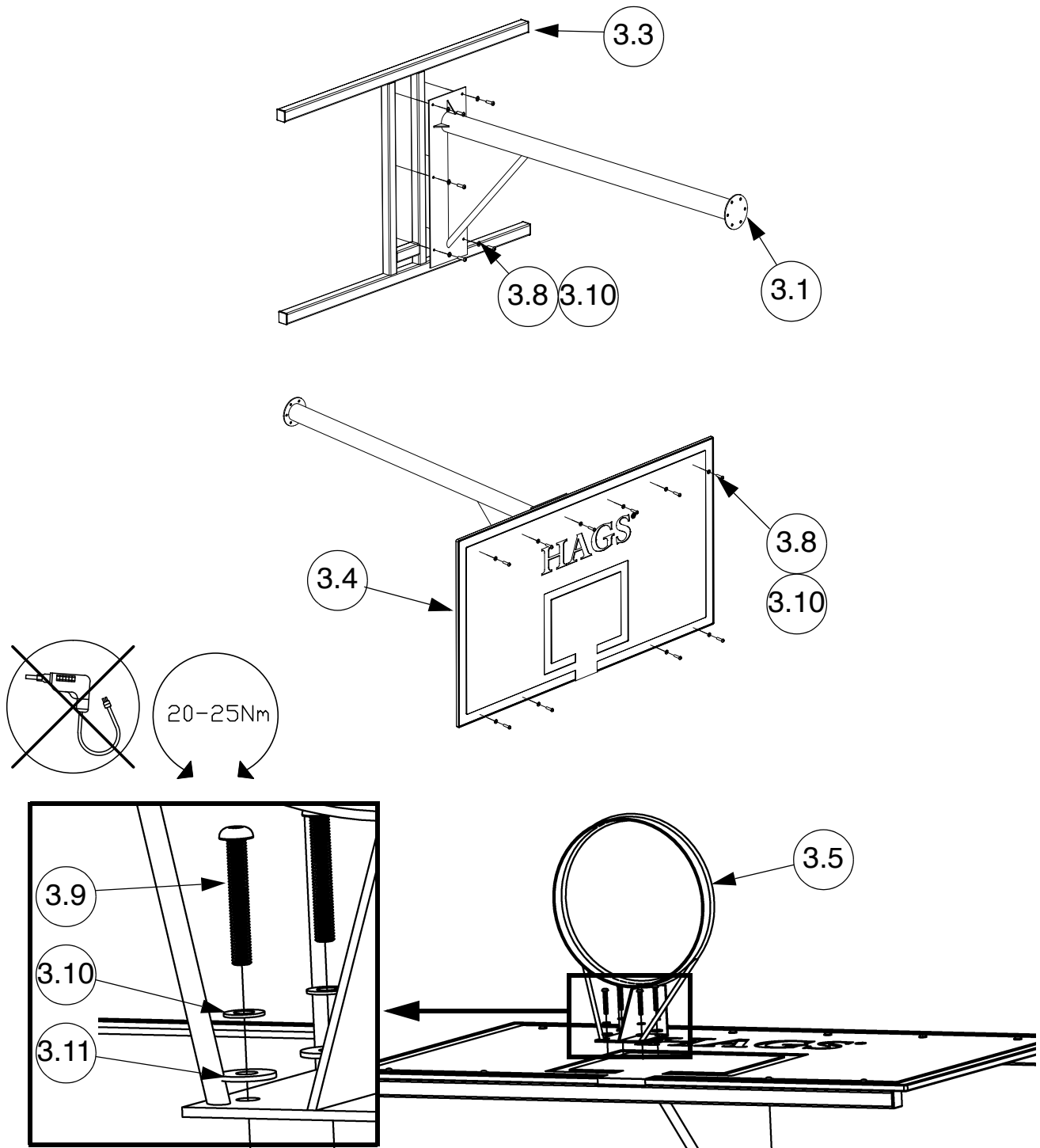
ITEM	REF		SAMBR18	kg
3.1	25000113		1	44.000
3.2	25000114		1	13.000
3.3	SW88253		1	22.28
3.4	SW88237		1	32.58
3.5	25000907		1	8.000
3.6	10121020	 M10 X 20	6	0.020
3.7	10121030	 M10 X 30	6	0.028



ITEM	REF		SAMBR18	kg
3.8	10121040	 M10 X 40	16	0.037
3.9	10121065	 M10 X 65	4	0.050
3.10	10301000	 M10 12X18X1	36	0.002
3.11	10309999	 M10 11X30X2.5	4	0.003
3.12	10281000	 M10	4	0.013
3.13	10411000	 M10	4	0.020

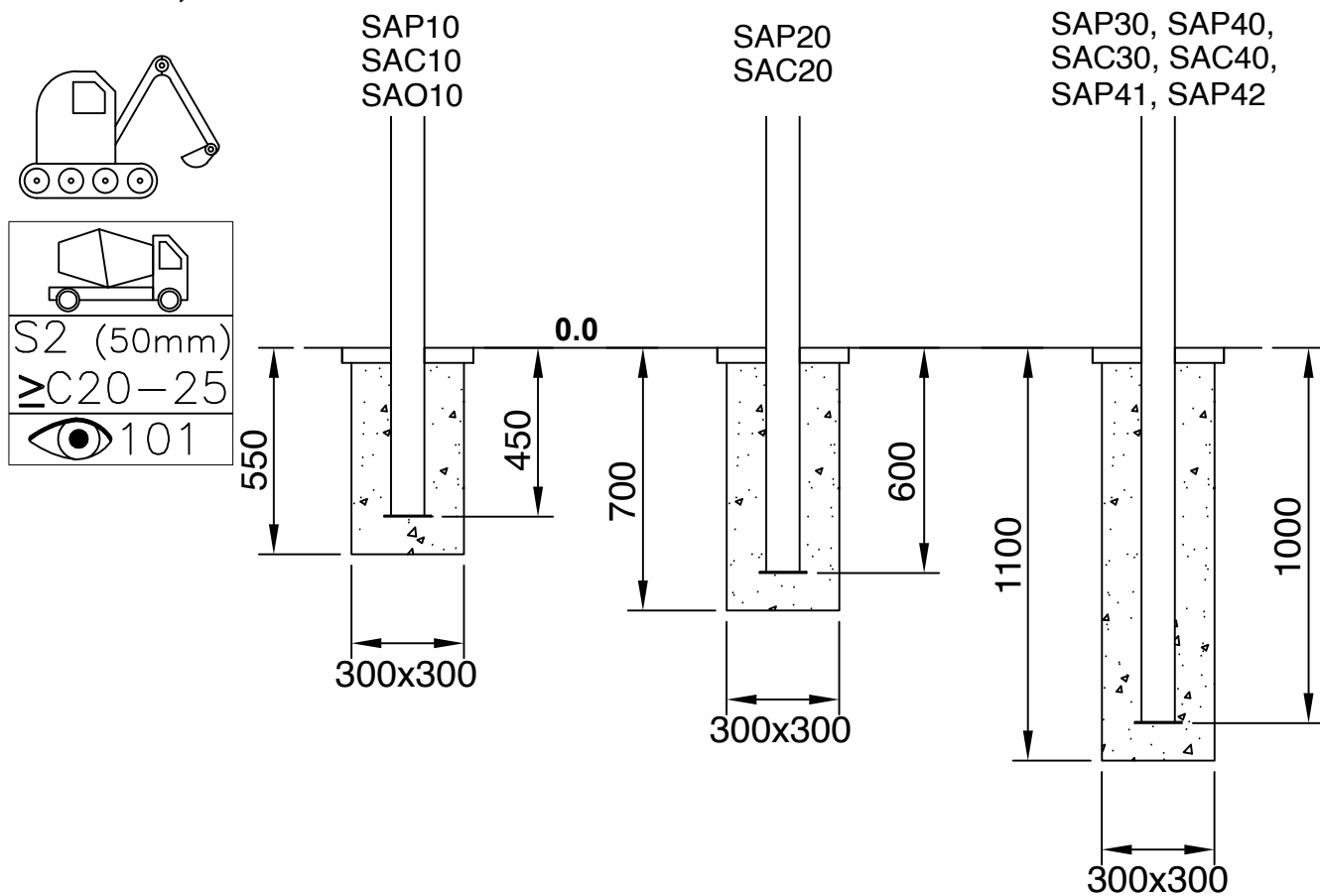




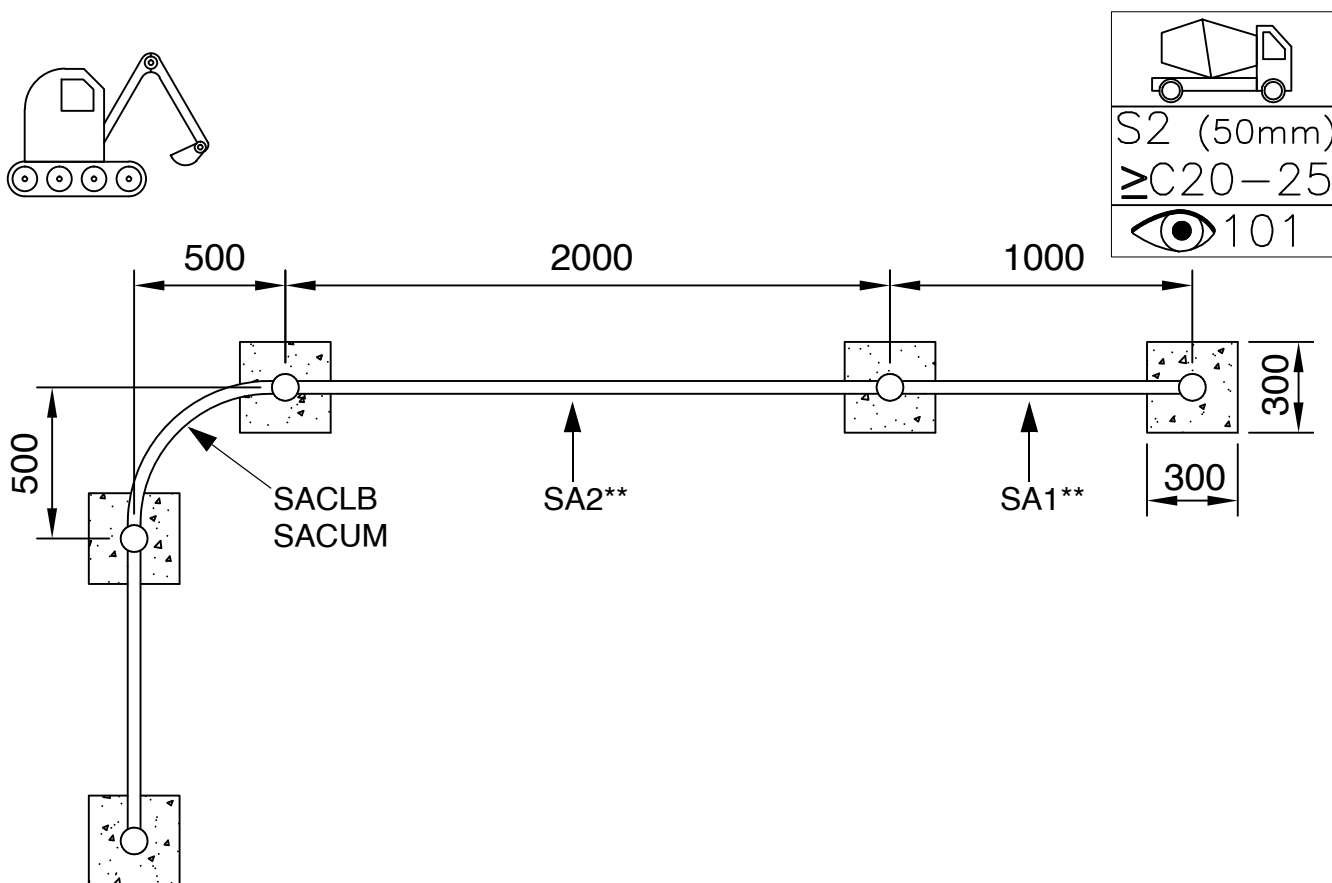


### Section 3: EXCAVATION / AUSHUB / SCAVO / NEDGRÄVNINGSALTERNATIV

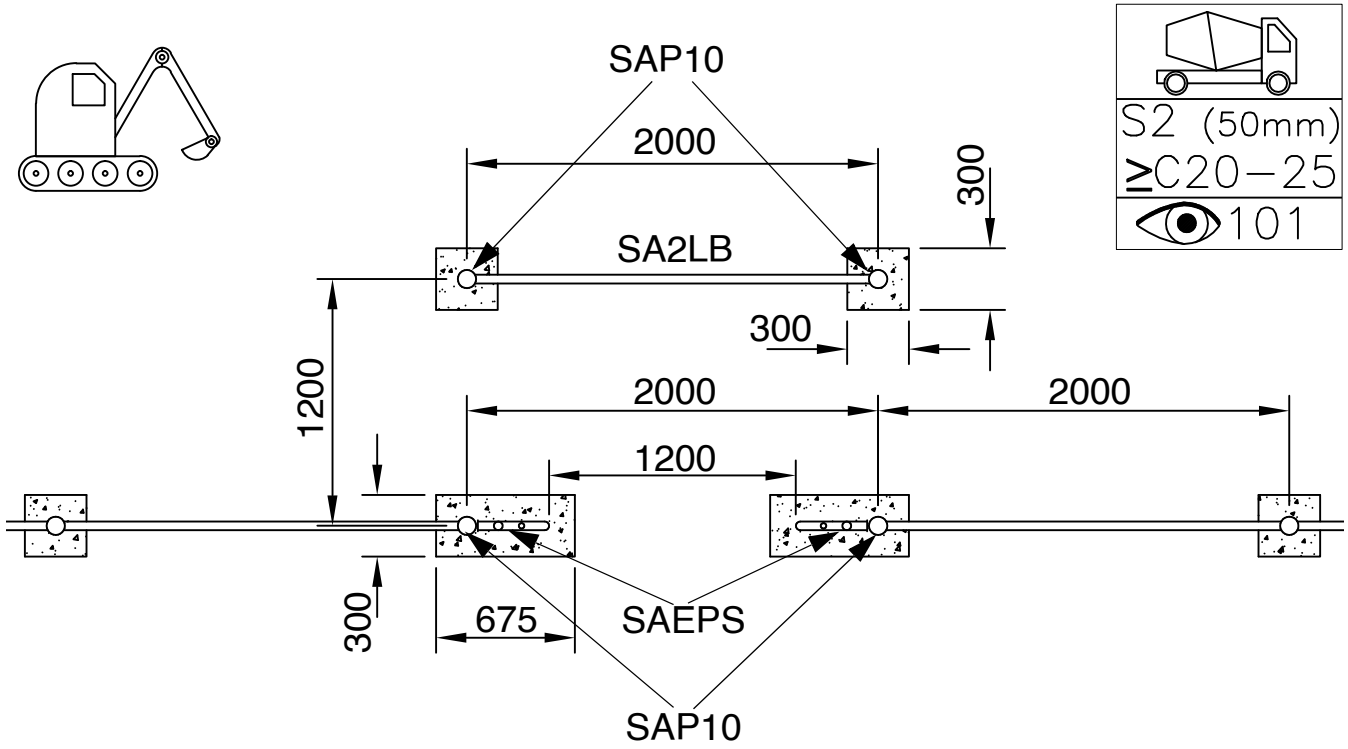
#### 1 SAP\*\*, SAC\*\* & SAO10



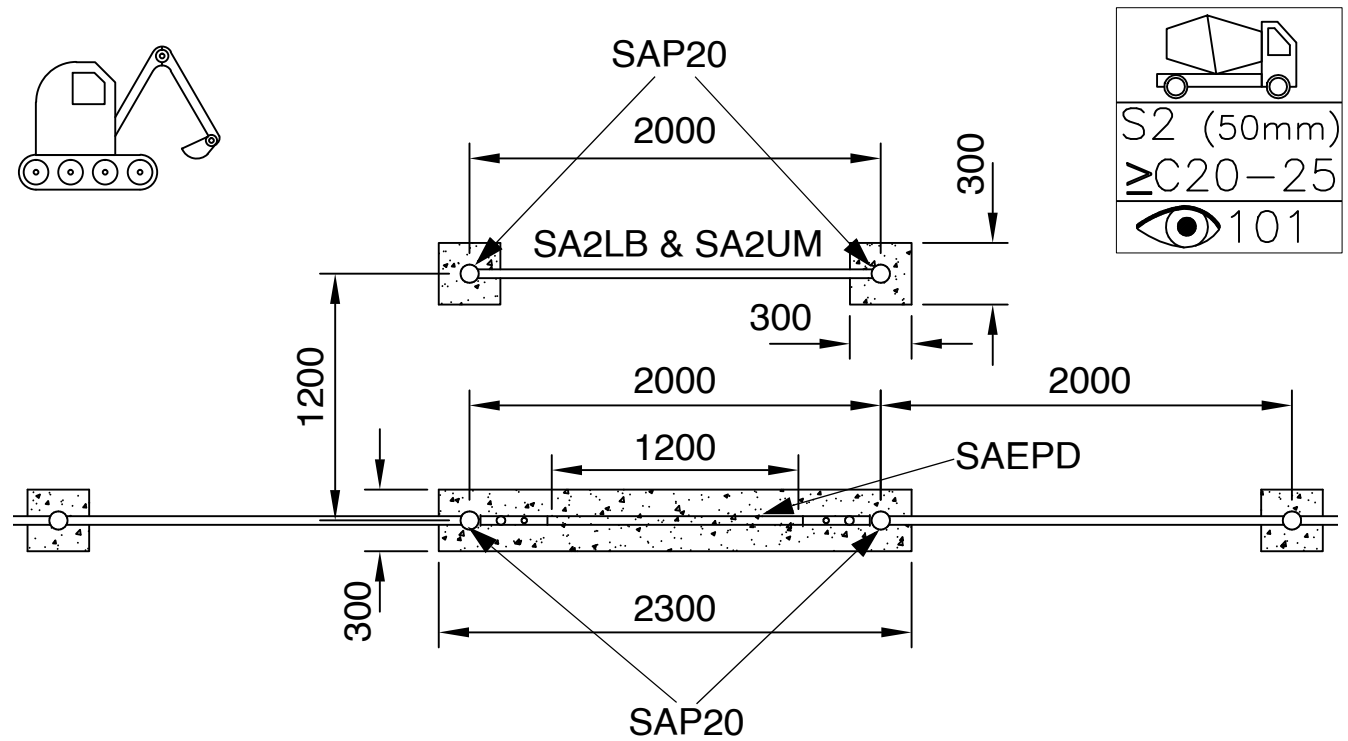
#### 2 SACLB & SACUM



### 3 SAEPS

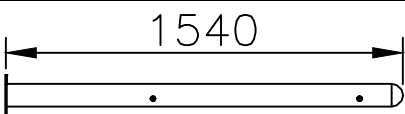


### 4 SAEPD

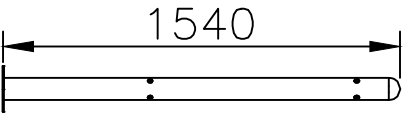


**Section 4: POSTS / POTEAUX / PFOSTEN / PALI / STOLPAR**

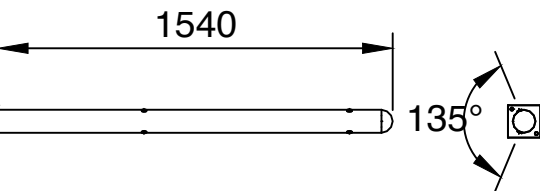
**1 SAP10**

ITEM	REF.		QTY	kg
1	24000103		1	15.000

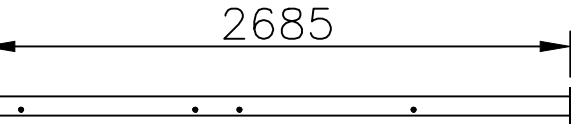
**2 SAC10**

ITEM	REF.		QTY	kg
1	24000104		1	15.000

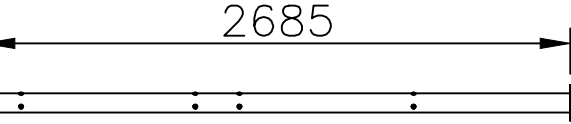
**3 SAO10**

ITEM	REF.		QTY	kg
1	24000130		1	15.000

**4 SAP20**

ITEM	REF.		QTY	kg
1	24000105		1	21.000

**5 SAC20**

ITEM	REF.		QTY	kg
1	24000106		1	21.000

**6 SAP30**

ITEM	REF.		QTY	kg
1	24000107		1	34.000

**7 SAC30**

ITEM	REF.		QTY	kg
1	24000108		1	34.000

**8 SAP40**

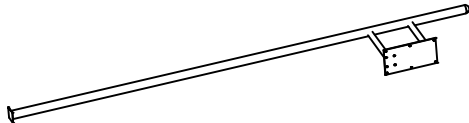
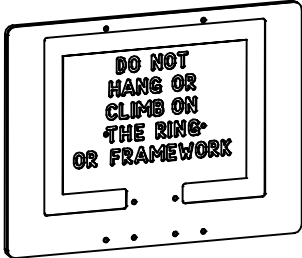
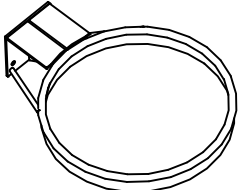
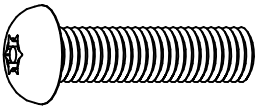
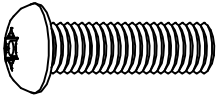
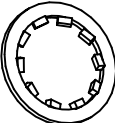
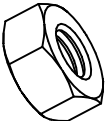
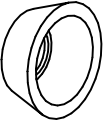
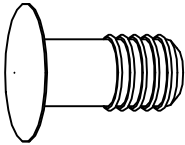
ITEM	REF.		QTY	kg
1	24000109		1	43.000

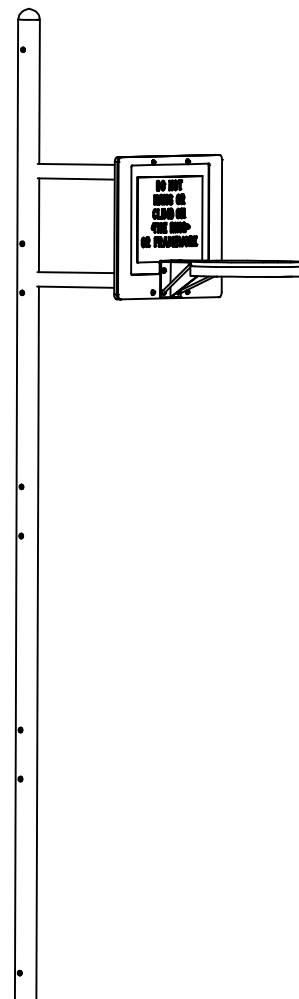
**9 SAC40**

ITEM	REF.		QTY	kg
1	24000110		1	43.000


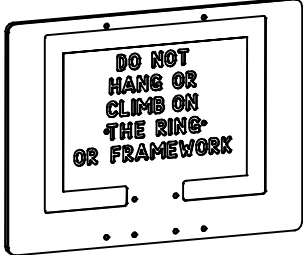
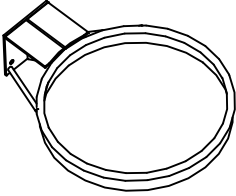
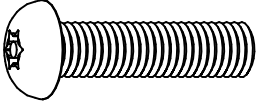
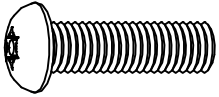
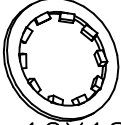

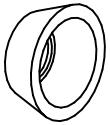
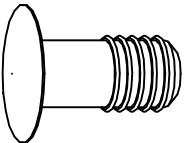


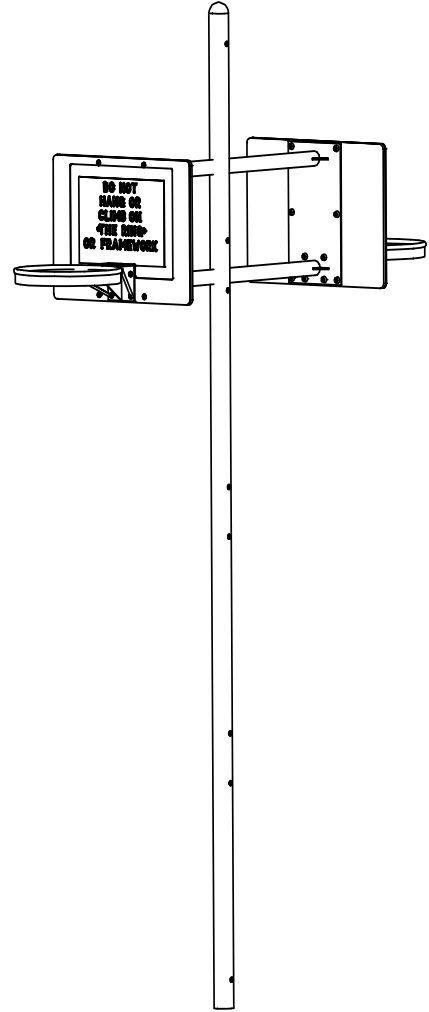
10 SAP41

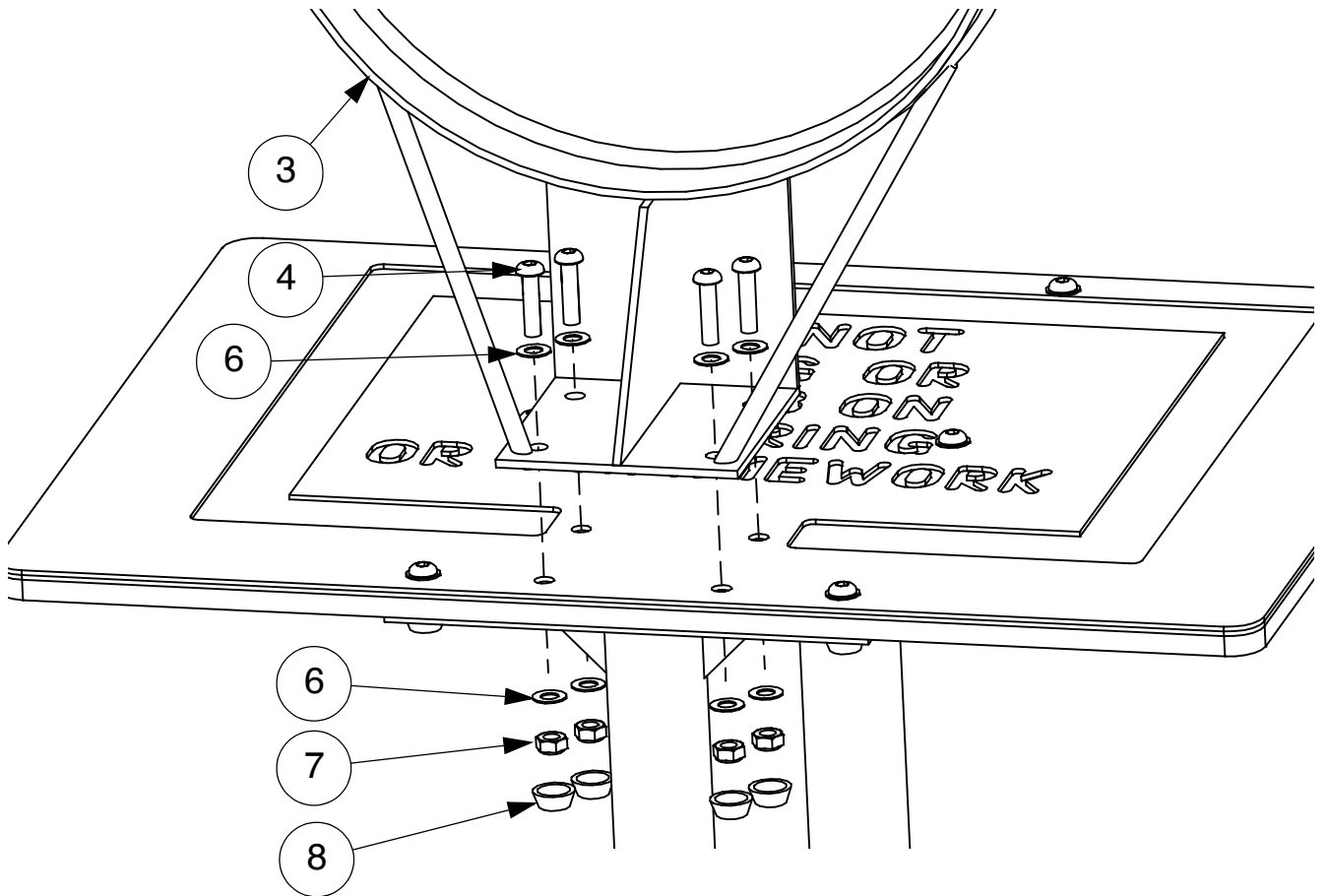
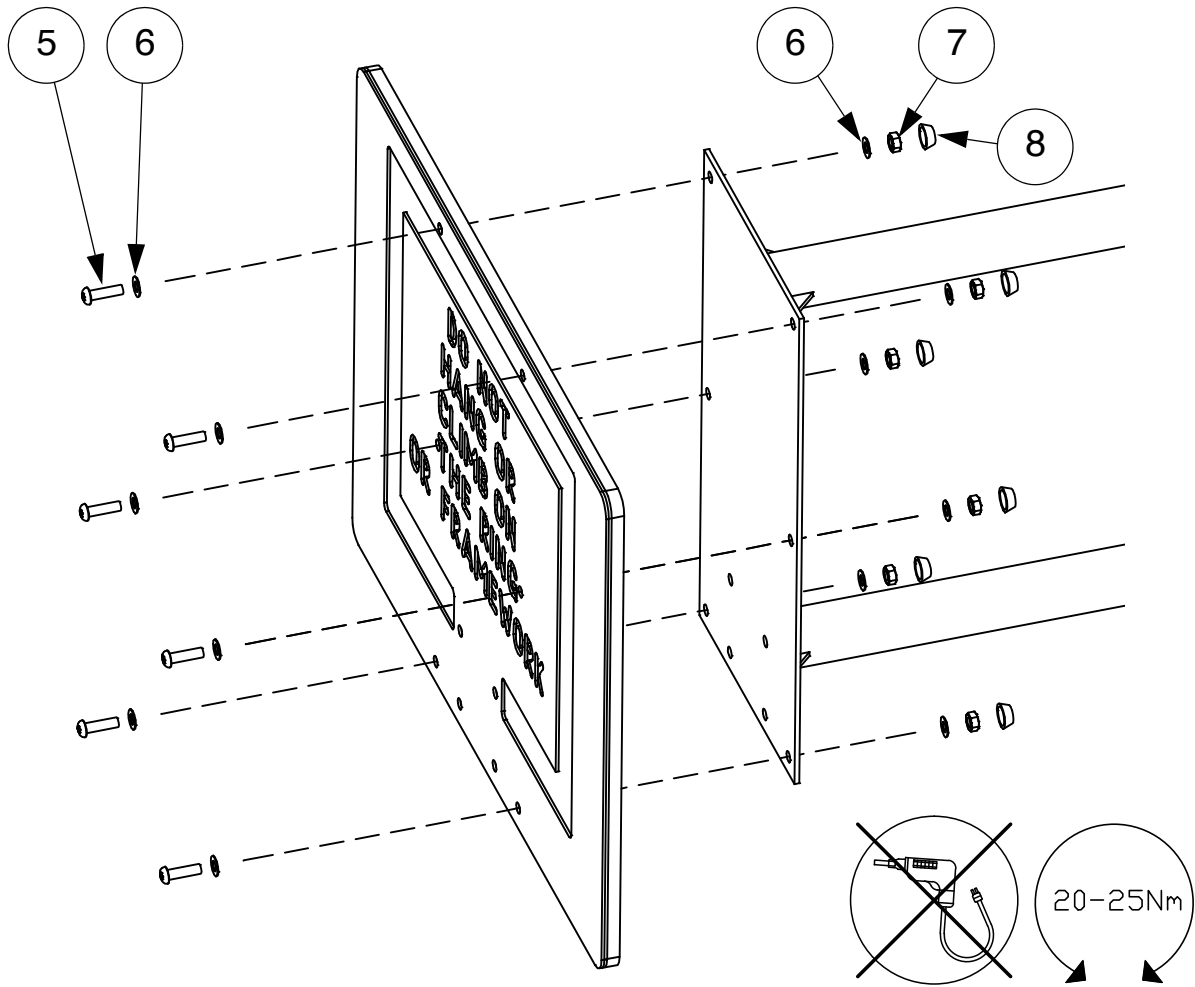
ITEM	REF.		QTY	kg
1	24000119		1	51.000
2	24000905		1	7.500
3	25000907		1	8.000
4	10121040	 M10 X 40	4	0.037
5	10121035	 M10 X 35	6	0.032
6	10301000	 M10 12X18X1	20	0.002
7	10271000	 M10	10	0.020
8	10411000	 M10	10	0.020
9	19024501		24	0.001

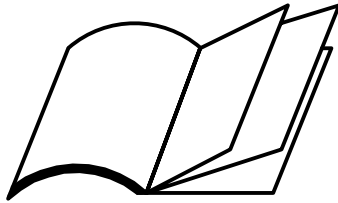


11 SAP42

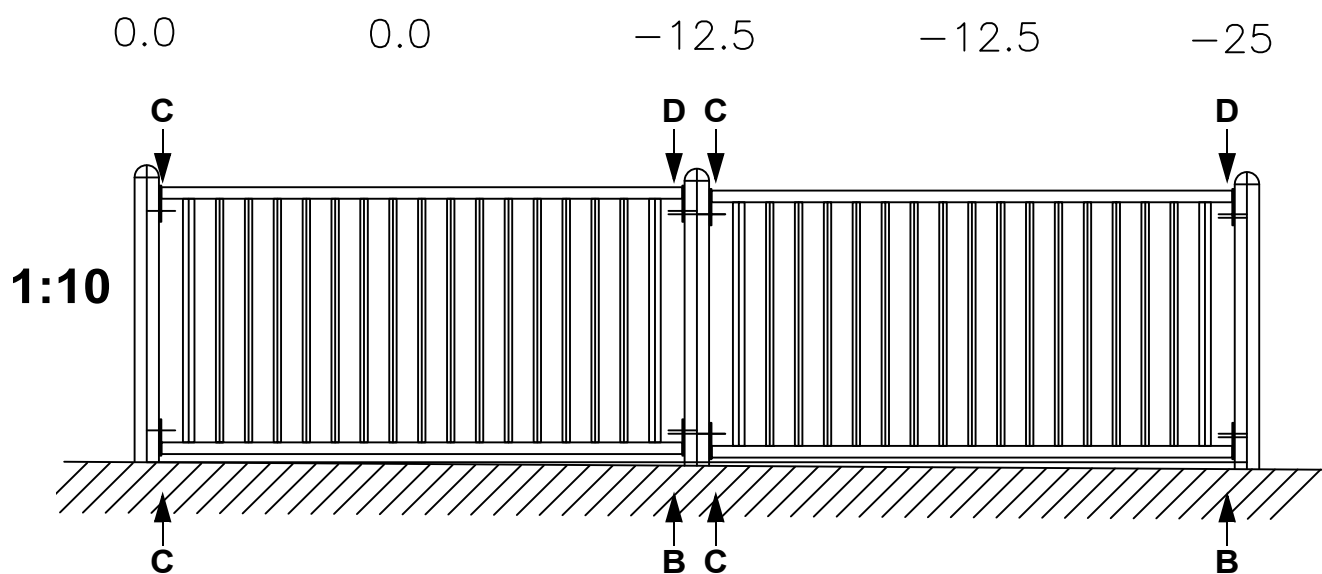
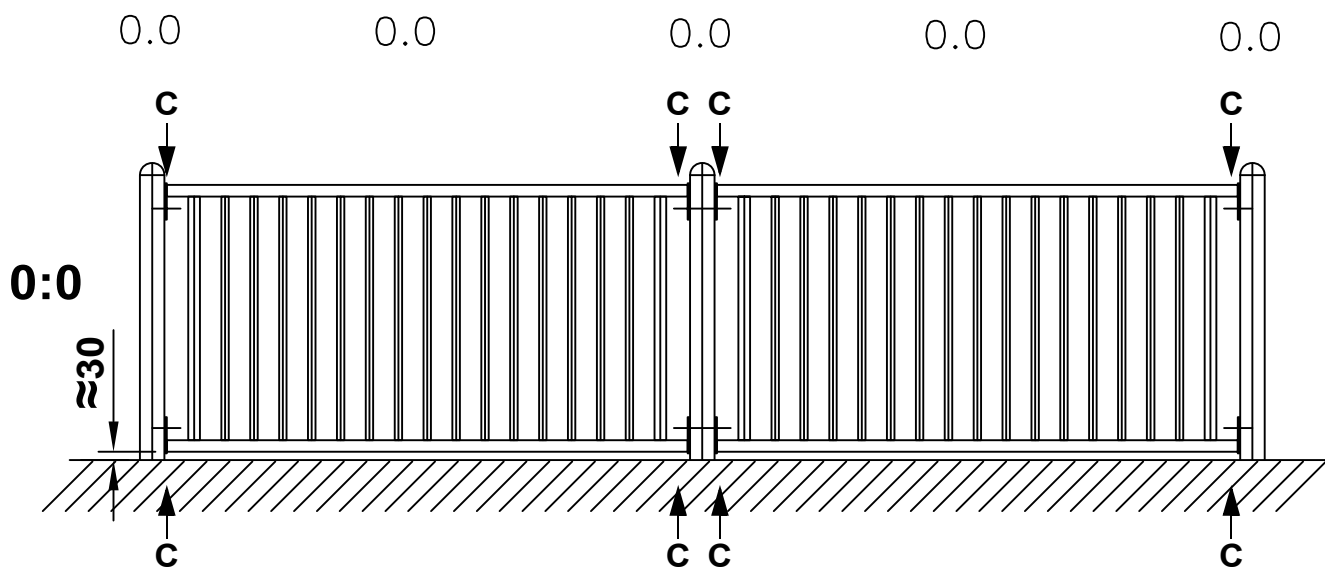
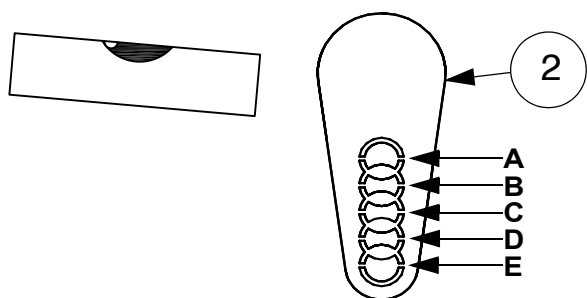
ITEM	REF.		QTY	kg
1	24000129		1	59.000
2	24000905		2	7.500
3	25000907		2	8.000
4	10121040	 M10 X 40	8	0.037
5	10121035	 M10 X 35	12	0.032
6	10301000	 M10 12X18X1	40	0.002
7	10271000	 M10	20	0.020
8	10411000	 M10	20	0.020
9	19024501		24	0.001

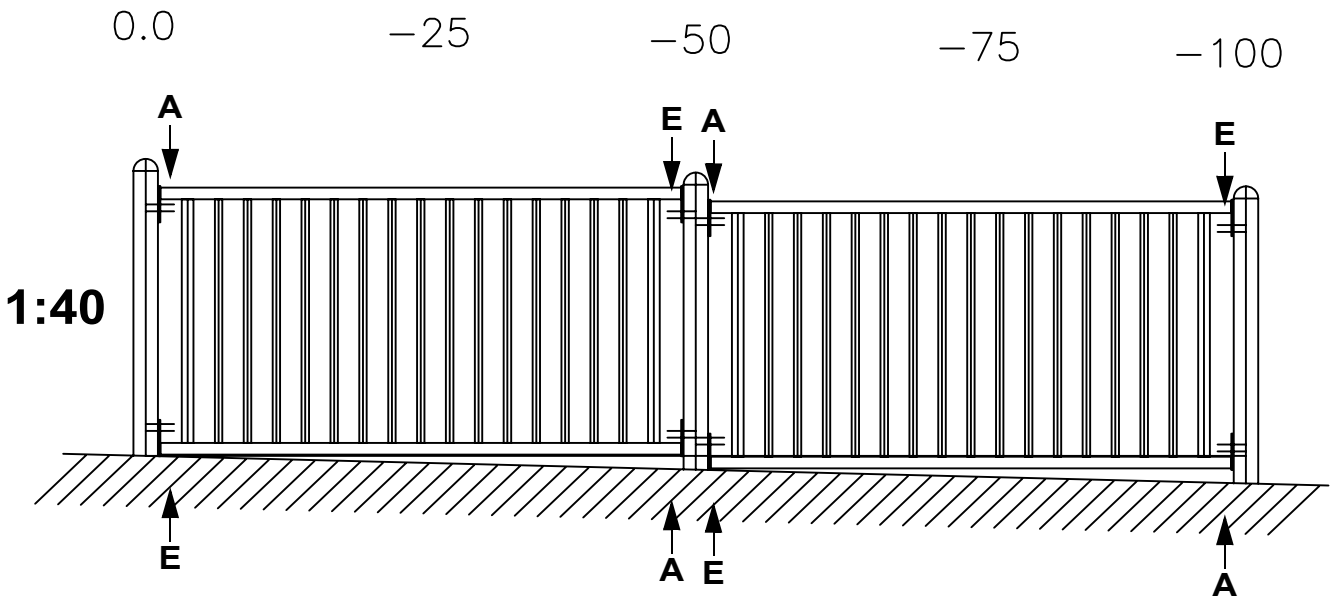
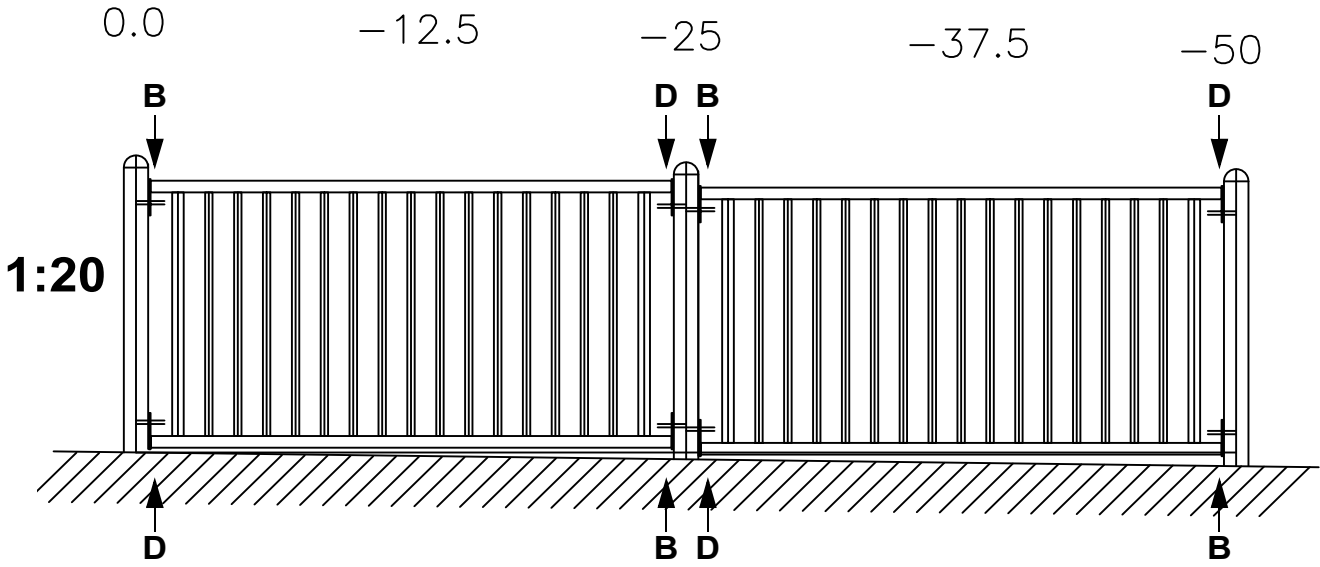
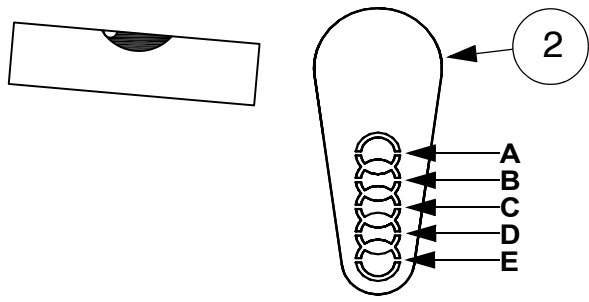




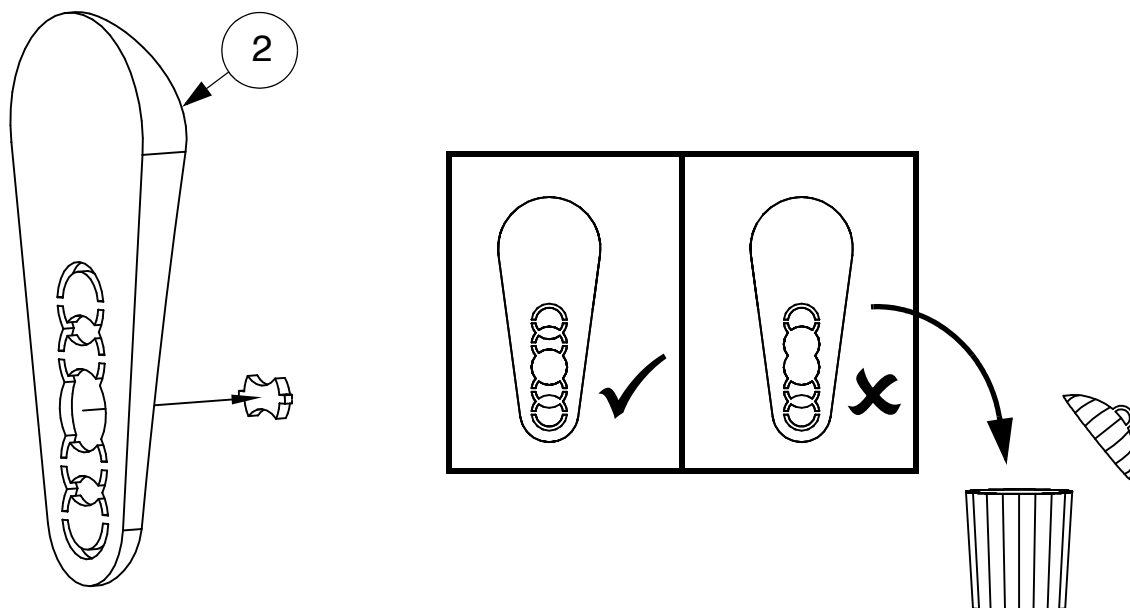


**Section 5: PANELS / PANNEAUX / WANDELEMENTE / PANNELLI / SKÄRMAR**

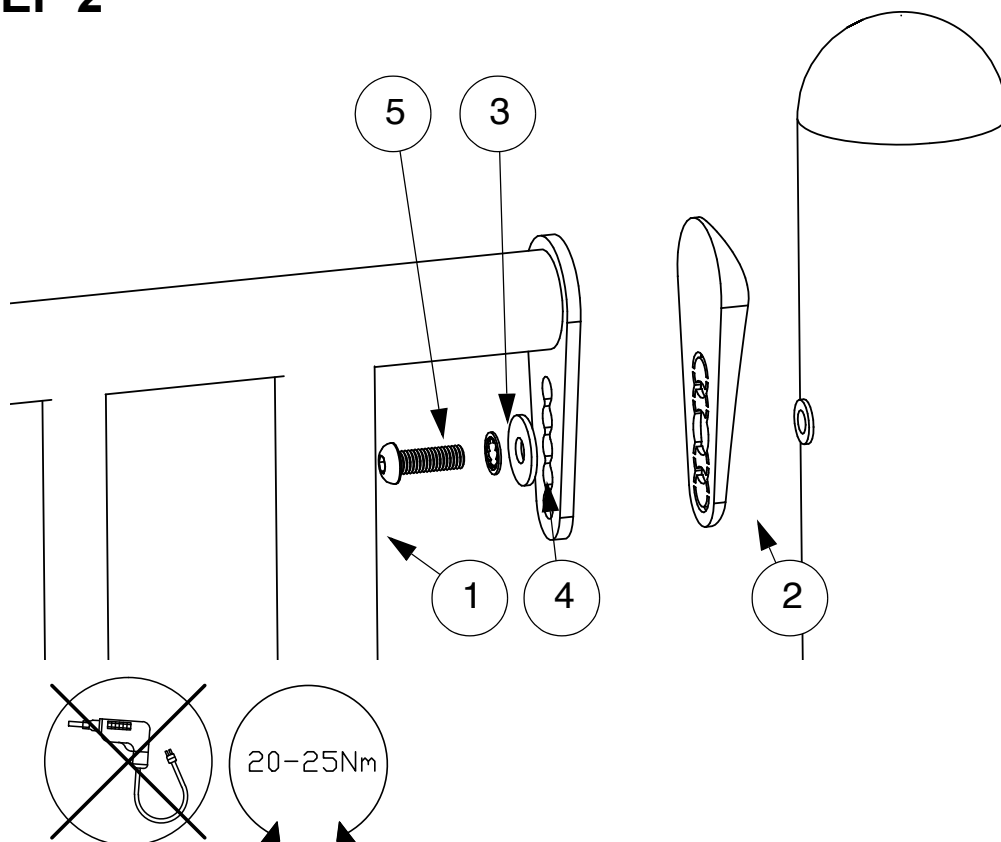




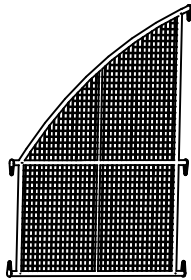
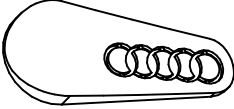
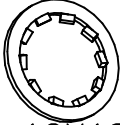
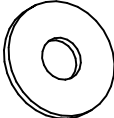
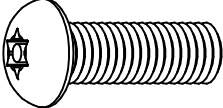
# STEP 1



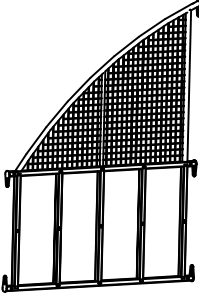
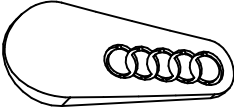
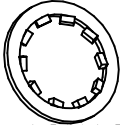
# STEP 2



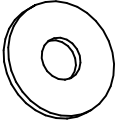
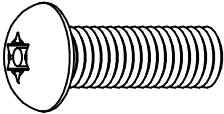
## 1 SAGAM

ITEM	REF		QTY	kg
1	24000407		1	47.000
2	19022401		5	0.010
3	10301000	 M10 12X18X1	5	0.002
4	10309999	 M10 11X30X2.5	5	0.011
5	10121030	 M10 X 30	5	0.028

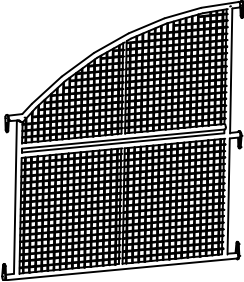
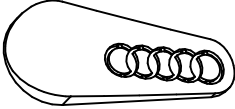
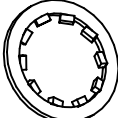
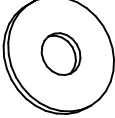
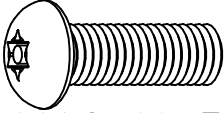
## 2 SAGAP

ITEM	REF		QTY	kg
1	24000409		1	47.000
2	19022401		5	0.010
3	10301000	 M10 12X18X1	5	0.002

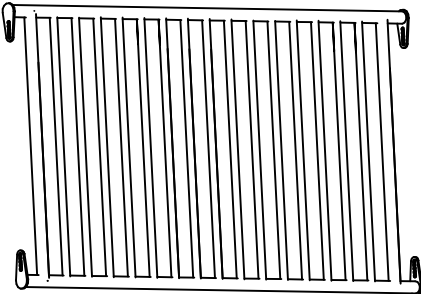
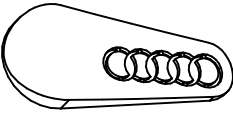
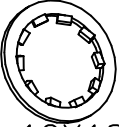
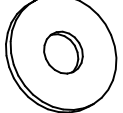
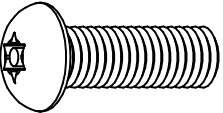


ITEM	REF		QTY	kg
4	10309999	 M10 11X30X2.5	5	0.011
5	10121030	 M10 X 30	5	0.028

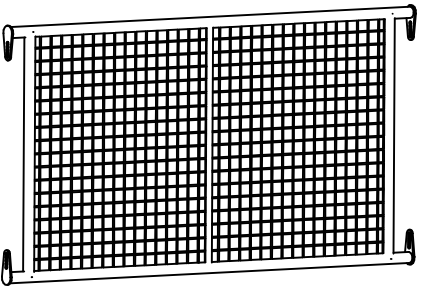
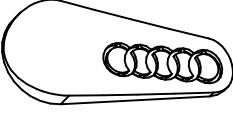
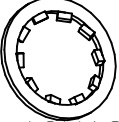
**3 SA4AM**

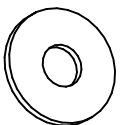
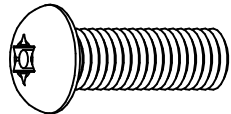
ITEM	REF		QTY	kg
1	24000411		1	54.000
2	19022401		5	0.010
3	10301000	 M10 12X18X1	5	0.002
4	10309999	 M10 11X30X2.5	5	0.011
5	10121030	 M10 X 30	5	0.028

**4 SA2LB**

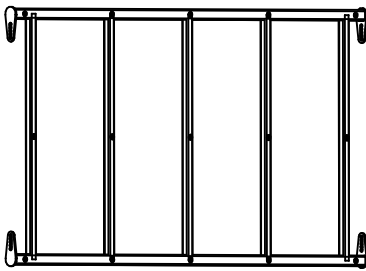
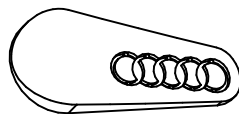
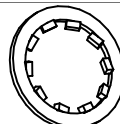
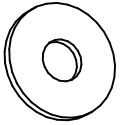
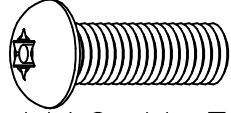
ITEM	REF		QTY	kg
1	24000602		1	39.000
2	19022401		4	0.010
3	10301000	 M10 12X18X1	4	0.002
4	10309999	 M10 11X30X2.5	4	0.011
5	10121030	 M10 X 30	4	0.028

**5 SA2UM**

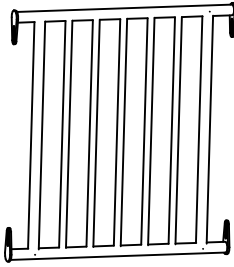
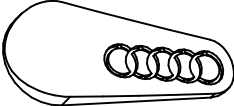
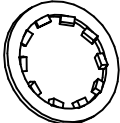
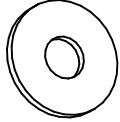
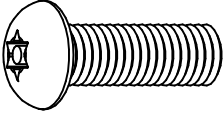
ITEM	REF		QTY	kg
1	24000503		1	31.000
2	19022401		4	0.010
3	10301000	 M10 12X18X1	4	0.002

ITEM	REF		QTY	kg
4	10309999	 M10 11X30X2.5	4	0.011
5	10121030	 M10 X 30	4	0.028

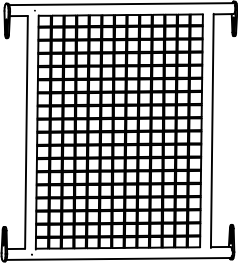

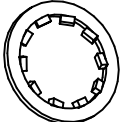
**6 SA2LR**

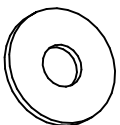
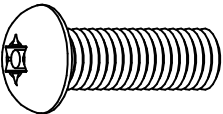
ITEM	REF		QTY	kg
1	24000603		1	28.000
2	19022401		4	0.010
3	10301000	 M10 12X18X1	4	0.002
4	10309999	 M10 11X30X2.5	4	0.011
5	10121030	 M10 X 30	4	0.028

**7 SA1LB**

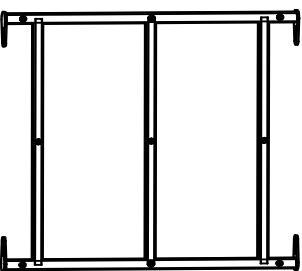
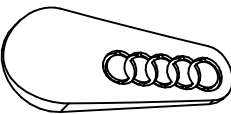
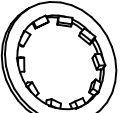
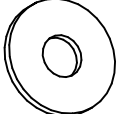
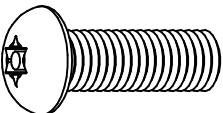
ITEM	REF		QTY	kg
1	24000601		1	23.000
2	19022401		4	0.010
3	10301000	 M10 12X18X1	4	0.002
4	10309999	 M10 11X30X2.5	4	0.011
5	10121030	 M10 X 30	4	0.028

**8 SA1UM**

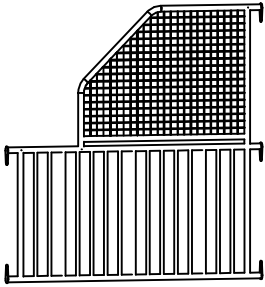
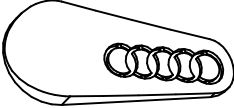
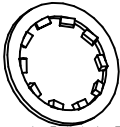
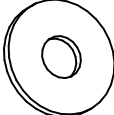
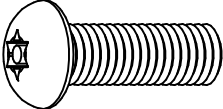
ITEM	REF		QTY	kg
1	24000501		1	15.000
2	19022401		4	0.010
3	10301000	 M10 12X18X1	4	0.002

ITEM	REF		QTY	kg
4	10309999	 M10 11X30X2.5	4	0.011
5	10121030	 M10 X 30	4	0.028

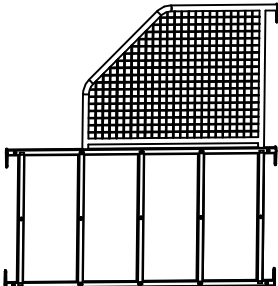
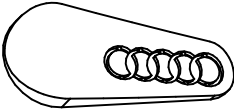
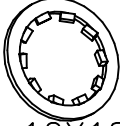
**9 SA1LR**

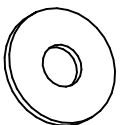
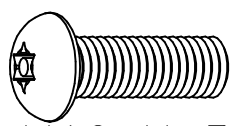
ITEM	REF		QTY	kg
1	24000605		1	21.000
2	19022401		4	0.010
3	10301000	 M10 12X18X1	4	0.002
4	1030999	 M10 11X30X2.5	4	0.011
5	10121030	 M10 X 30	4	0.028

**10 SASBM**

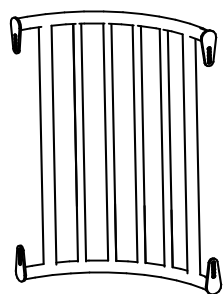
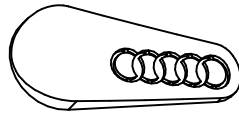
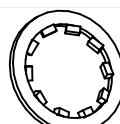
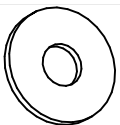
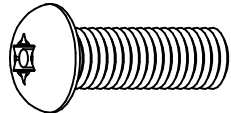
ITEM	REF		QTY	kg
1	24000701		1	59.000
2	19022401		5	0.010
3	10301000	 M10 12X18X1	5	0.002
4	10309999	 M10 11X30X2.5	5	0.011
5	10121030	 M10 X 30	5	0.028

**11 SASBR**

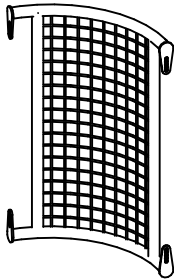
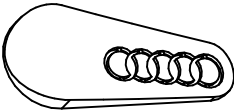
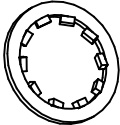
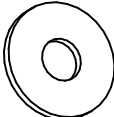
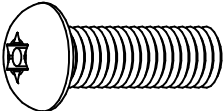
ITEM	REF		QTY	kg
1	24000702		1	47.000
2	19022401		5	0.010
3	10301000	 M10 12X18X1	5	0.002

ITEM	REF		QTY	kg
4	10309999	 M10 11X30X2.5	5	0.011
5	10121030	 M10 X 30	5	0.028

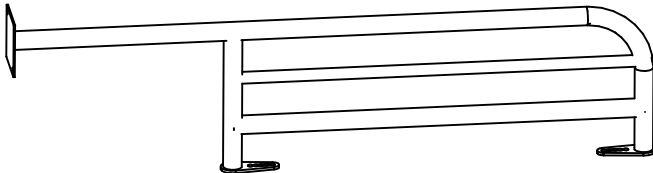
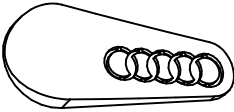
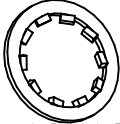
**12 SACLB**

ITEM	REF		QTY	kg
1	24000703		1	15.000
2	19022401		4	0.010
3	10301000	 M10 12X18X1	4	0.002
4	10309999	 M10 11X30X2.5	4	0.011
5	10121030	 M10 X 30	4	0.028

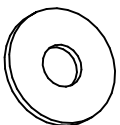
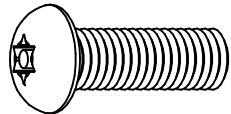
**13 SACUM**

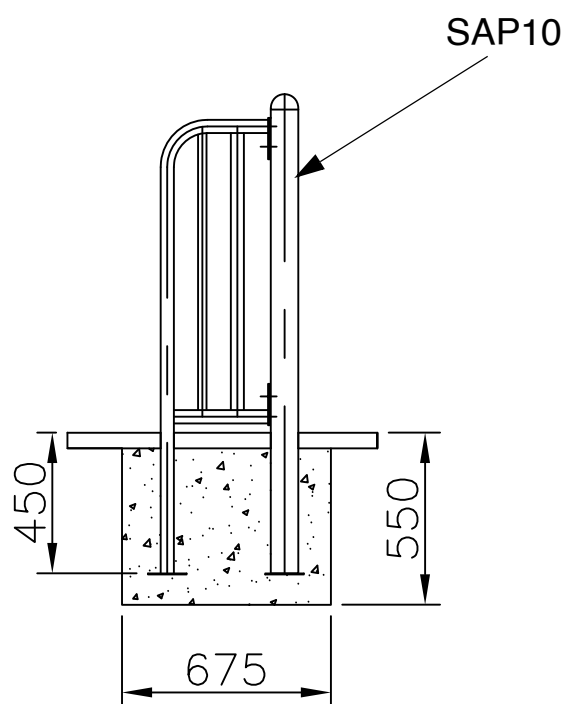
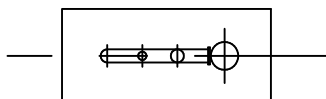
ITEM	REF		QTY	kg
1	24000705		1	13.000
2	19022401		4	0.010
3	10301000	 M10 12X18X1	4	0.002
4	10309999	 M10 11X30X2.5	4	0.011
5	10121030	 M10 X 30	4	0.028

**14 SAEPS**

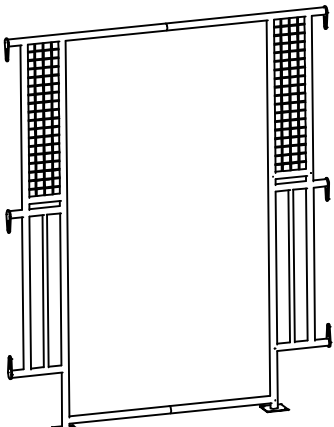
ITEM	REF		QTY	kg
1	24000606		1	13.000
2	19022401		2	0.010
3	10301000	 M10 12X18X1	2	0.002

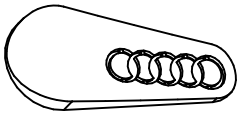
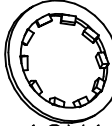
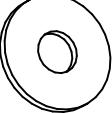
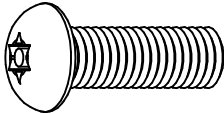


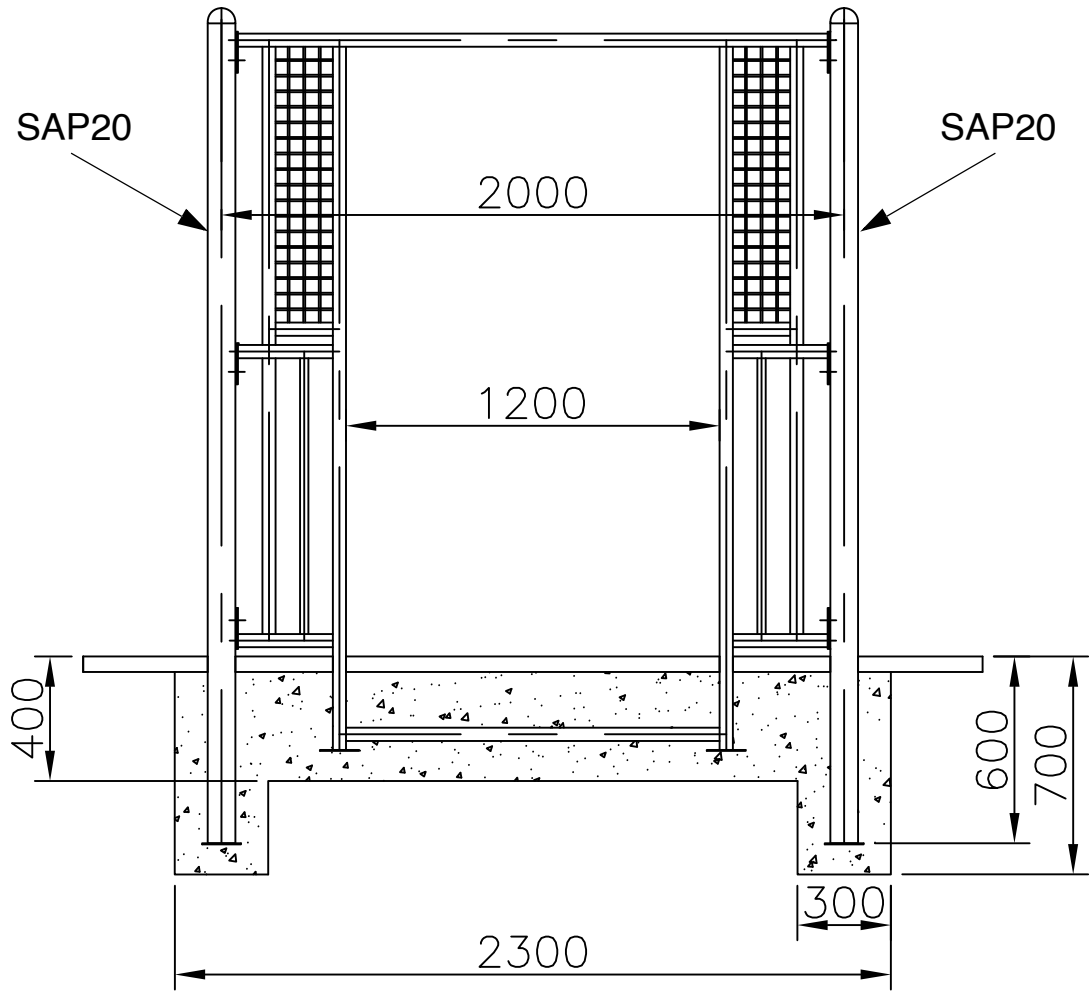
ITEM	REF		QTY	kg
4	10309999	 M10 11X30X2.5	2	0.011
5	10121030	 M10 X 30	2	0.028



**15 SAEPD**

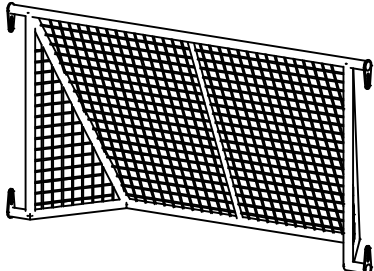
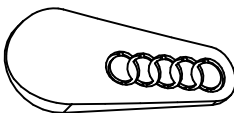
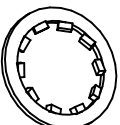
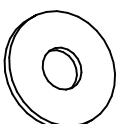
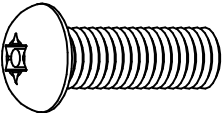
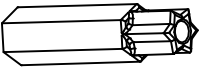
ITEM	REF		QTY	kg
1	24000607		1	50.000

ITEM	REF		QTY	kg
2	19022401		6	0.010
3	10301000	 M10 12X18X1	6	0.002
4	10309999	 M10 11X30X2.5	6	0.011
5	10121030	 M10 X 30	6	0.028

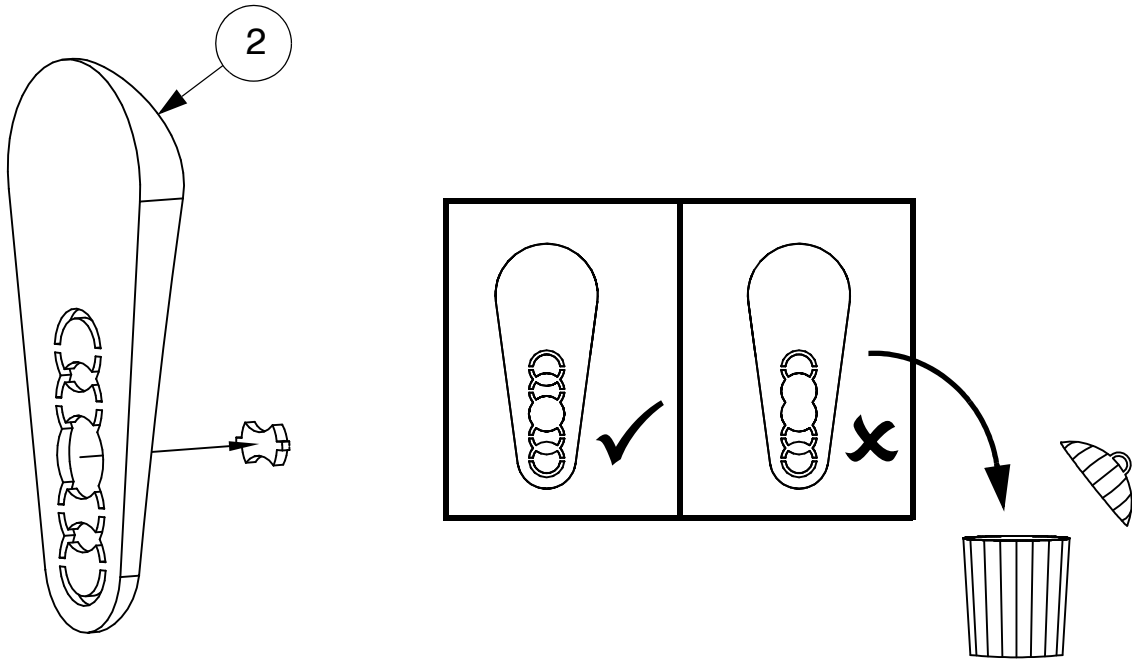


## Section 6: MINI GOAL & SEATS / MINI-BUTS & PLACES ASSISES / MINI TORE & SITZGELEGENHEITEN / MINI PORTE DA CALCETTO & SEDUTE / MINIMÅL & BÄNKAR

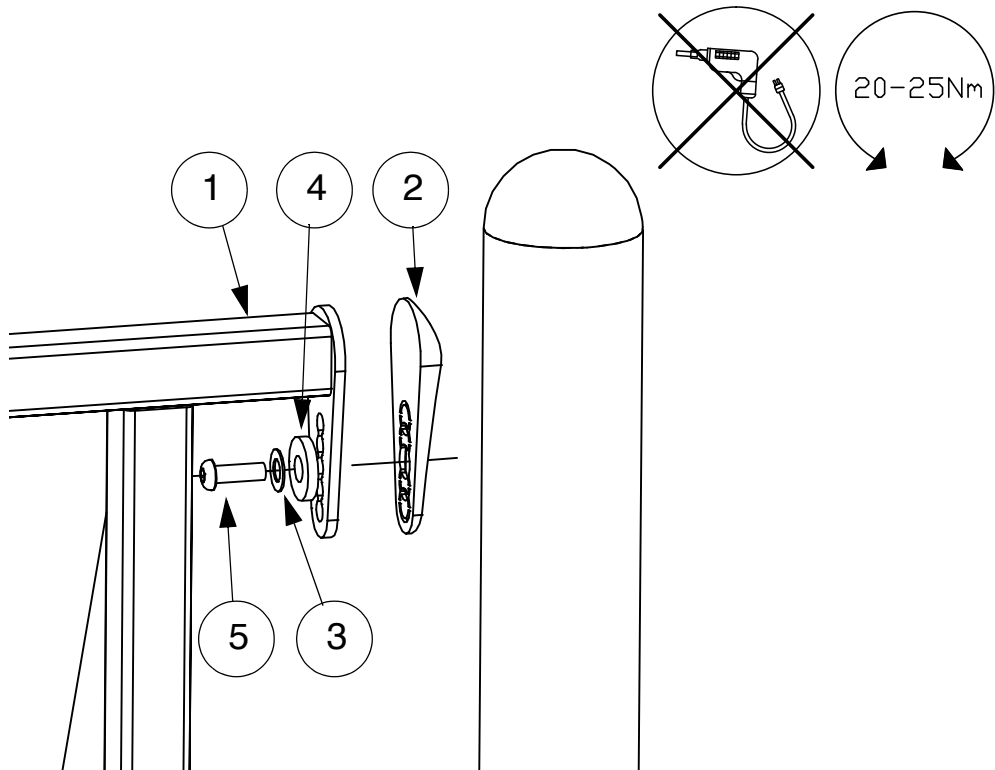
### 1 SA2MG

ITEM	CODE		QTY	kg
1	24000203		1	40.00
2	19022401		4	0.010
3	10301000	 M10 12X18X1	4	0.002
4	10309999	 M10 11X30X2.5	4	0.011
5	10121030	 M10 X 30	4	0.028
6	10121000	 T45 M10	1	

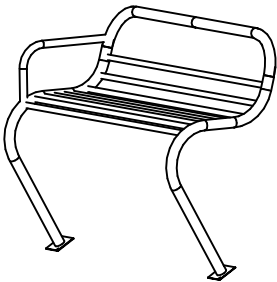
# STEP 1

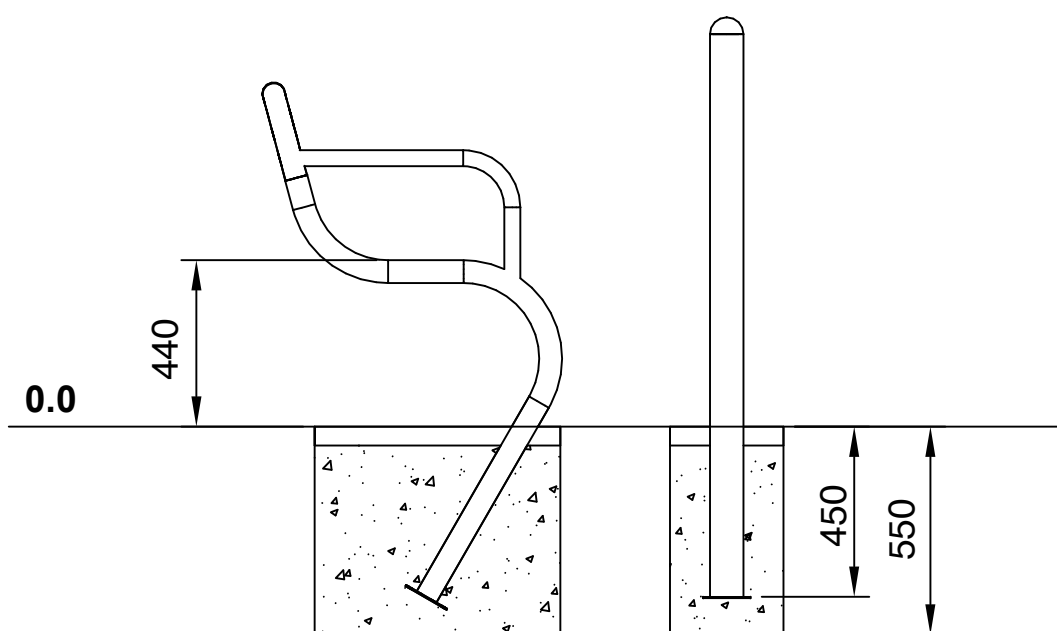
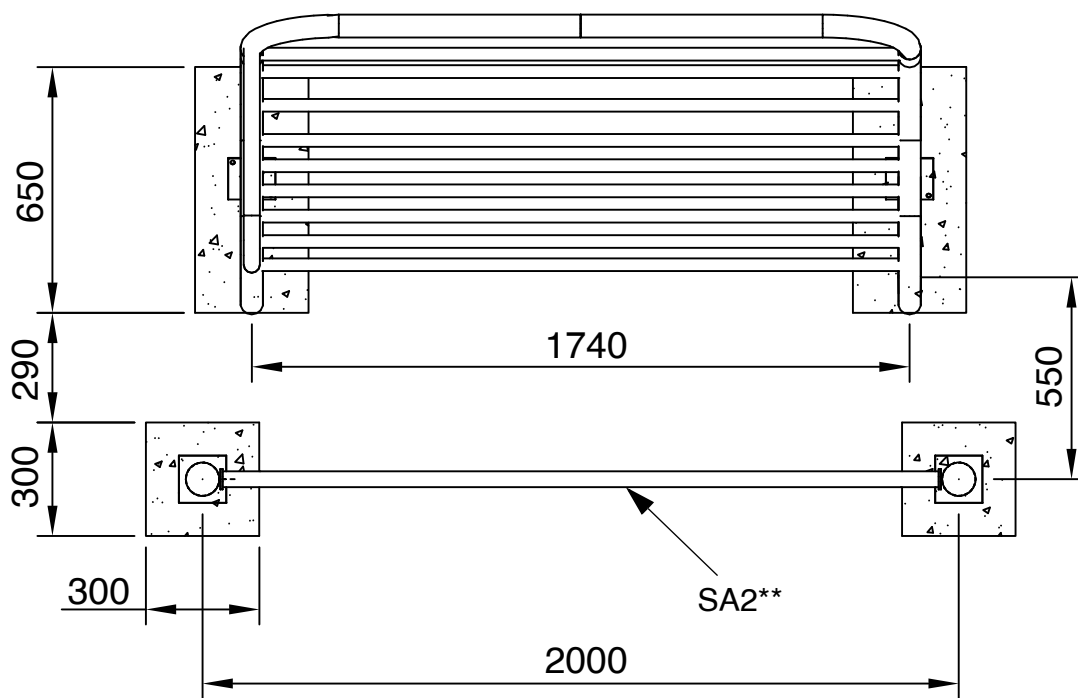


# STEP 2

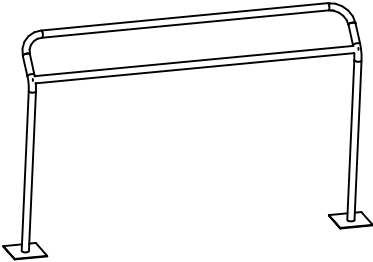


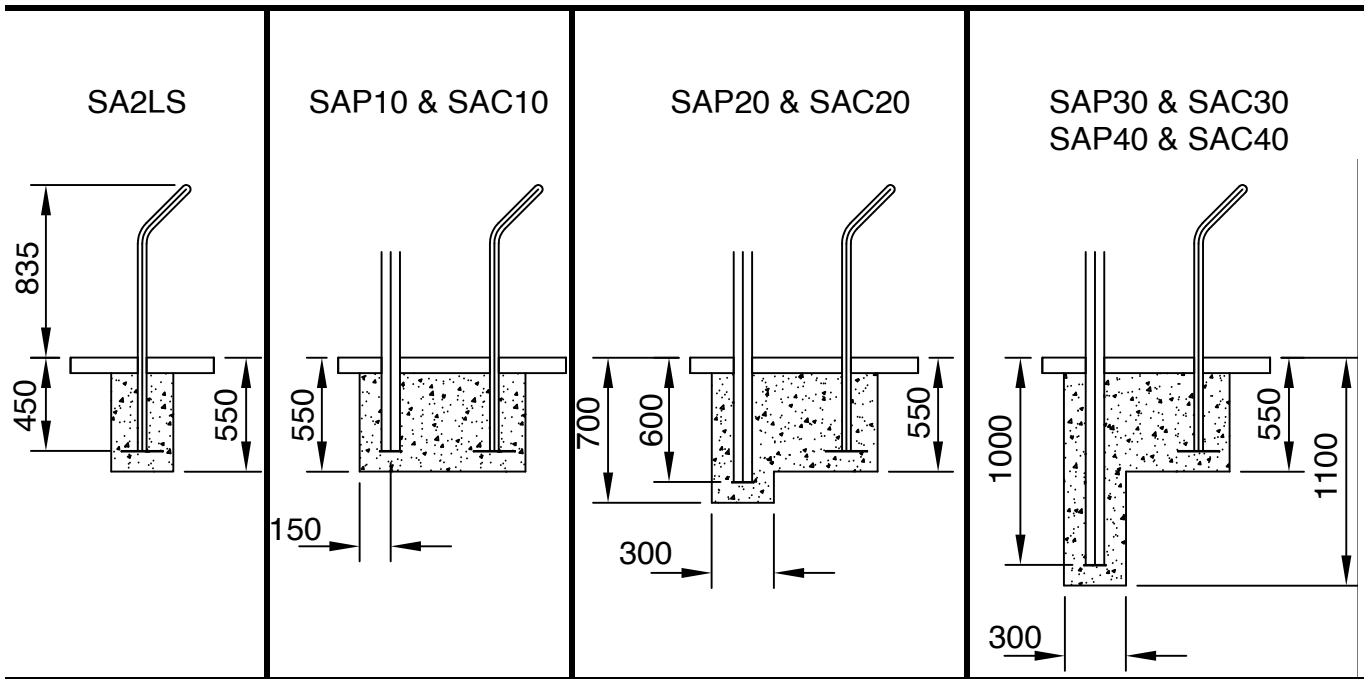
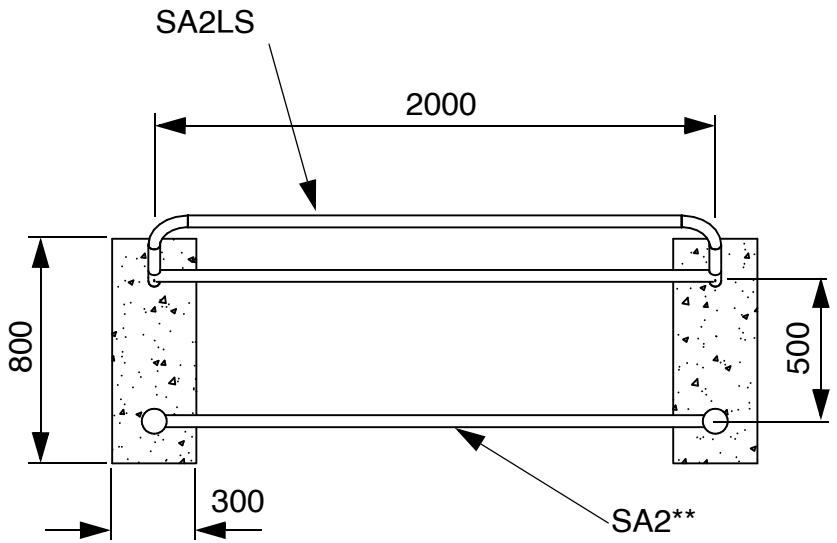
2 SA2SS

ITEM	CODE		kg
1	24000801		78.00

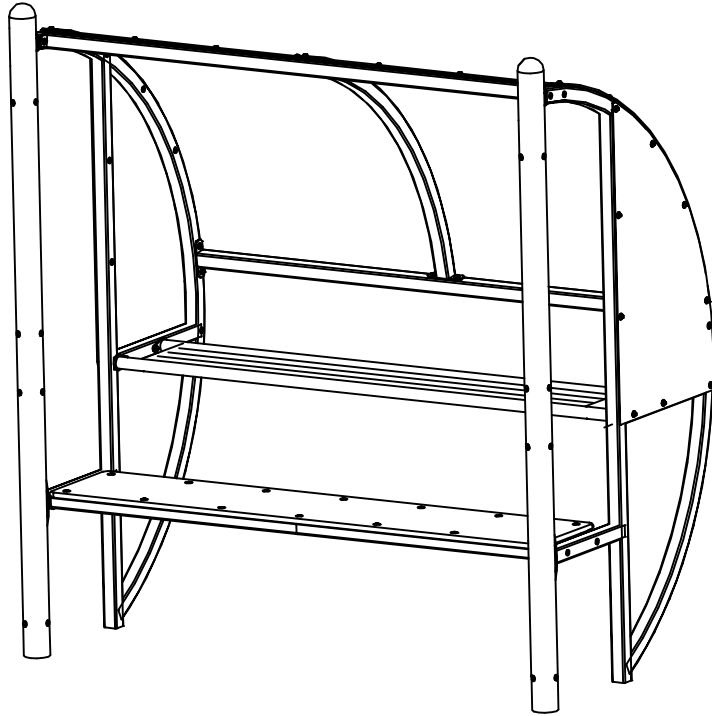


**3 SA2LS**

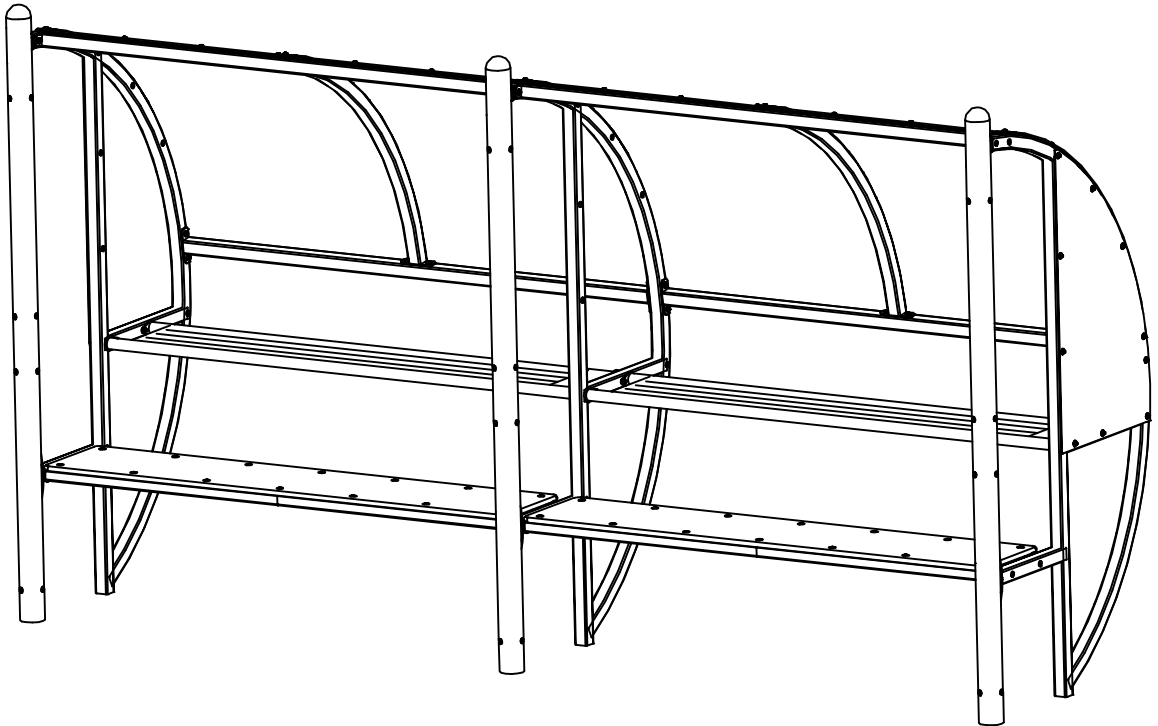
ITEM	CODE		kg
1	25000803		25.00



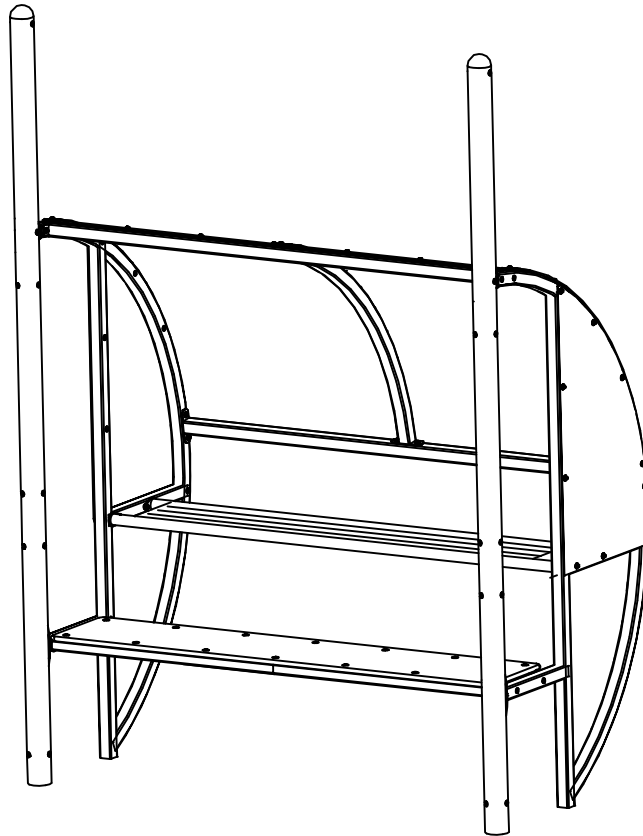
4 SAH22, SAH23, SAH42 & SAH43



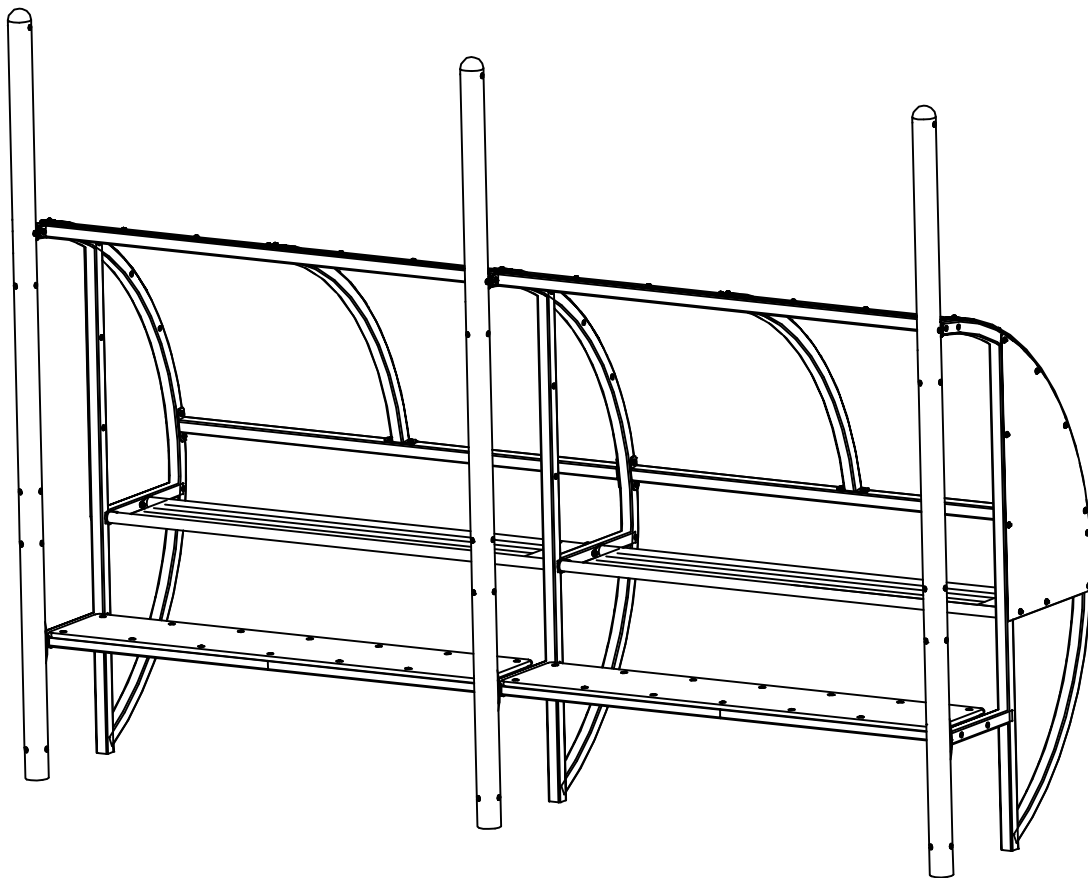
SAH22



SAH42

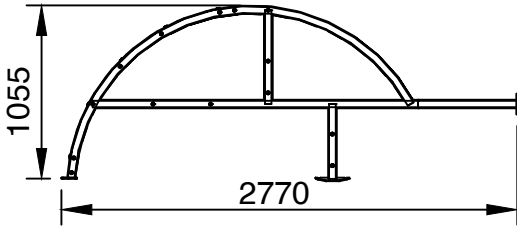
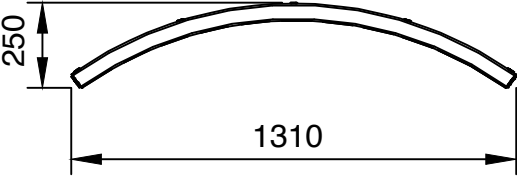
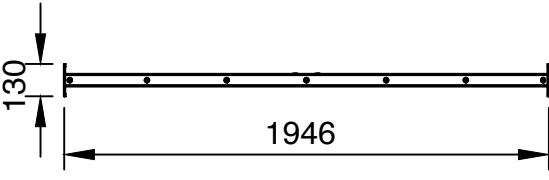
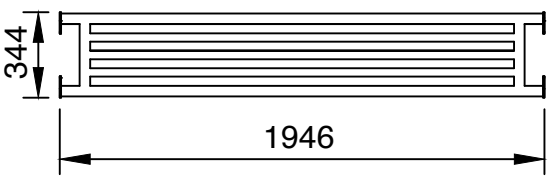
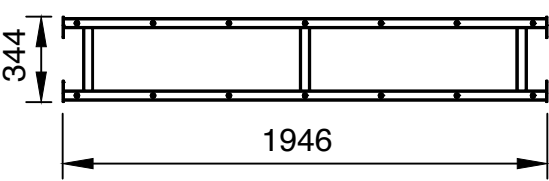
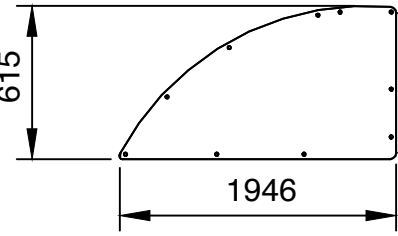
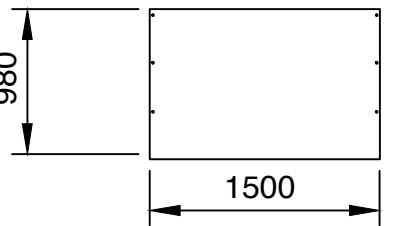


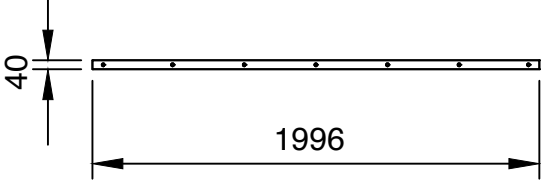
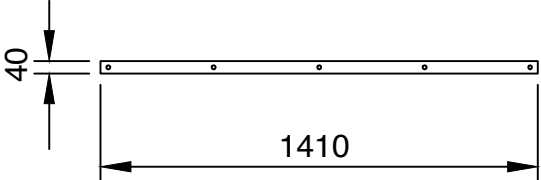
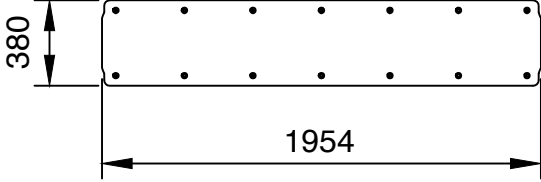
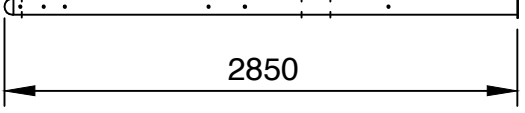
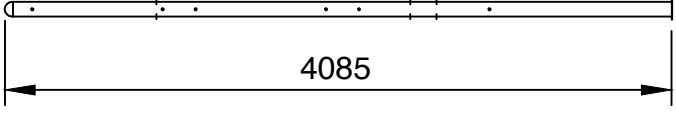
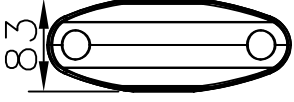
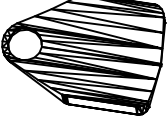
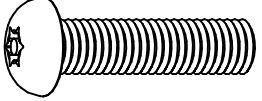
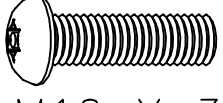
**SAH23**

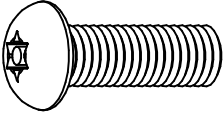
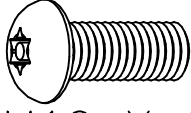
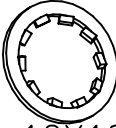
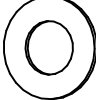
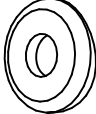
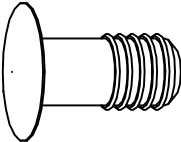
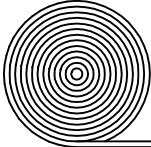


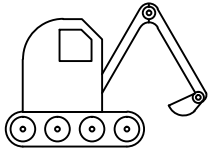
**SAH43**

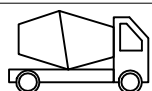



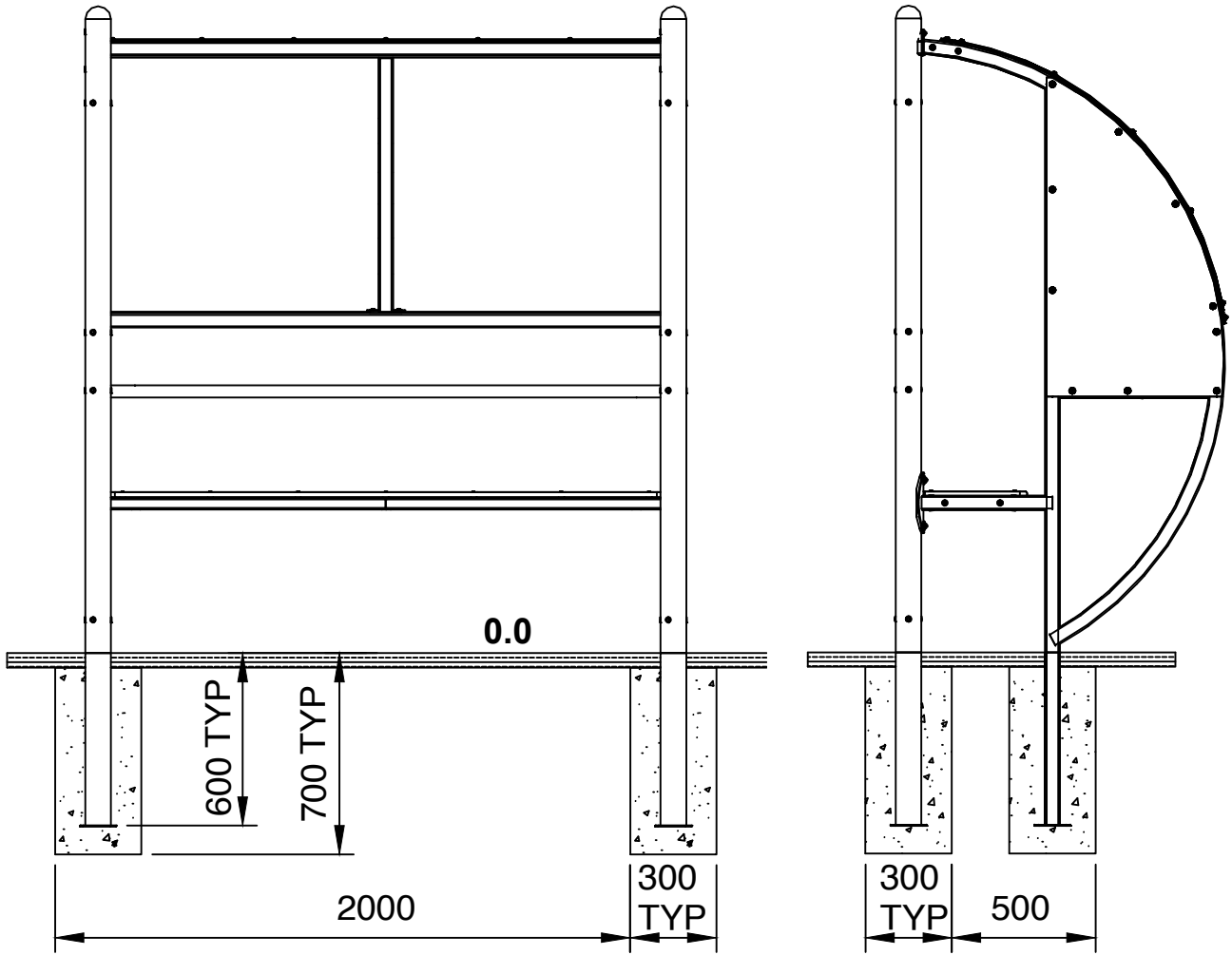
ITEM	CODE		SAH22	SAH23	SAH42	SAH43	kg
1	24004300		2		3		28.00
2	24004305		1		2		6.00
3	24004310		2		4		8.50
4	24004315		1		2		25.50
5	24004320		1		2		17.50
6	24004010		2				16.50
7	24004015		2		4		23.50

ITEM	CODE		SAH22	SAH23	SAH42	SAH43	kg
8	24004020		2		4		3.25
9	24004025		3		5		2.25
10	24004500		1		2		13.00
11	24000132		2		3		24.00
12	24000134			2		3	34.00
13	19023802		2		3		.050
14	19024503		2		3		0.020
15	10121040	 M10 X 40	4		6		0.037
16	10121035	 M10 X 35	36		71		0.032

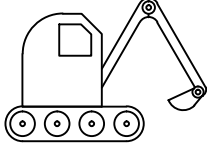
ITEM	CODE		SAH22	SAH23	SAH42	SAH43	kg
17	10121030	 M10 X 30	29		53		0.028
18	10121025	 M10 X 25	20				0.024
19	10301000	 M10 12X18X1	4		6		0.002
20	10291000	 M10 11X21X1	85		144		0.011
21	38001019	 M10 12X32X6.5	4		6		0.002
22	19024501		48	36	70	58	0.001
23	19027126		2		4		-

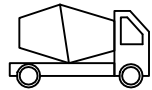



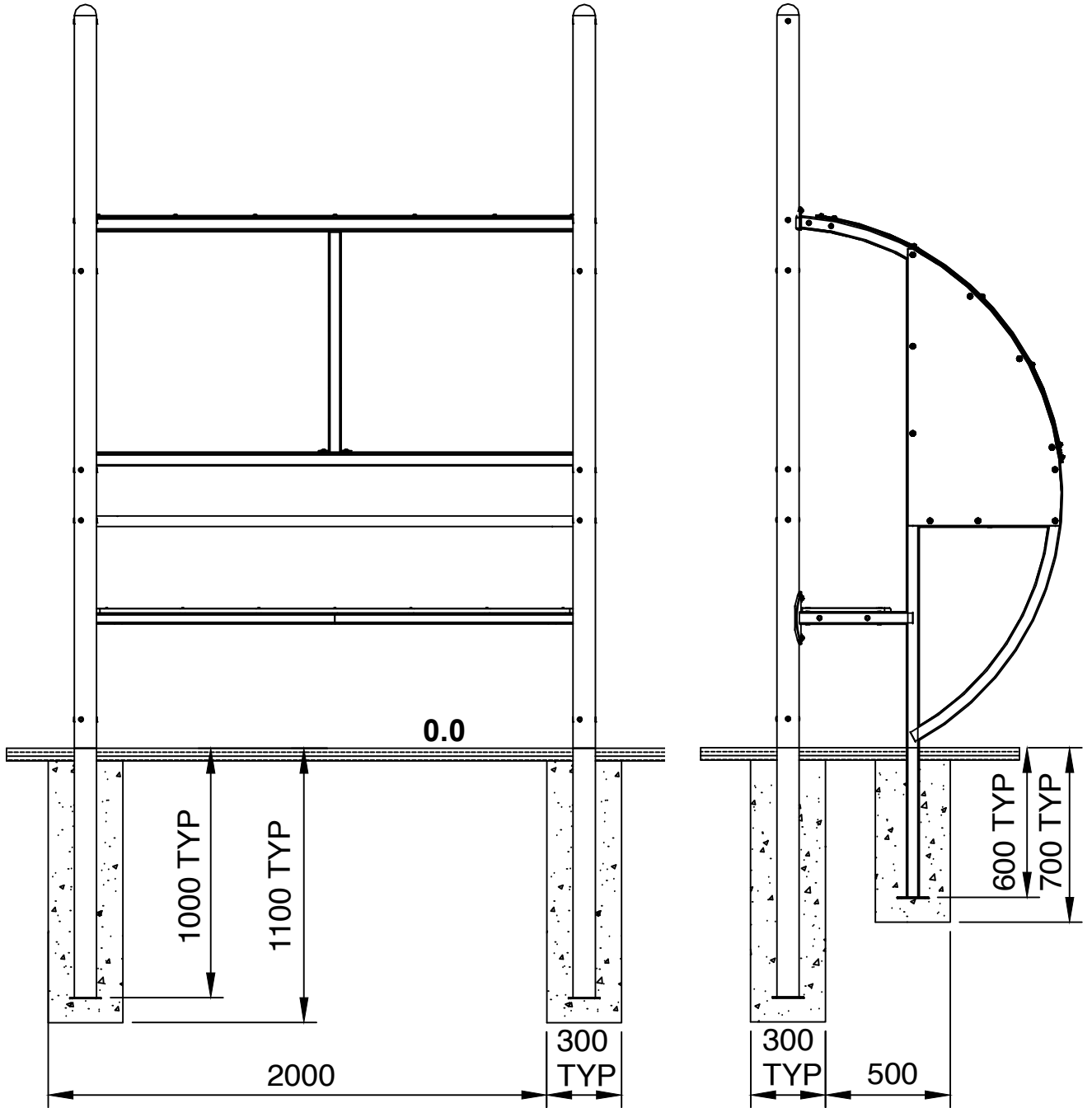

S2 (50mm)
≥C20-25
 101



**SAH22**

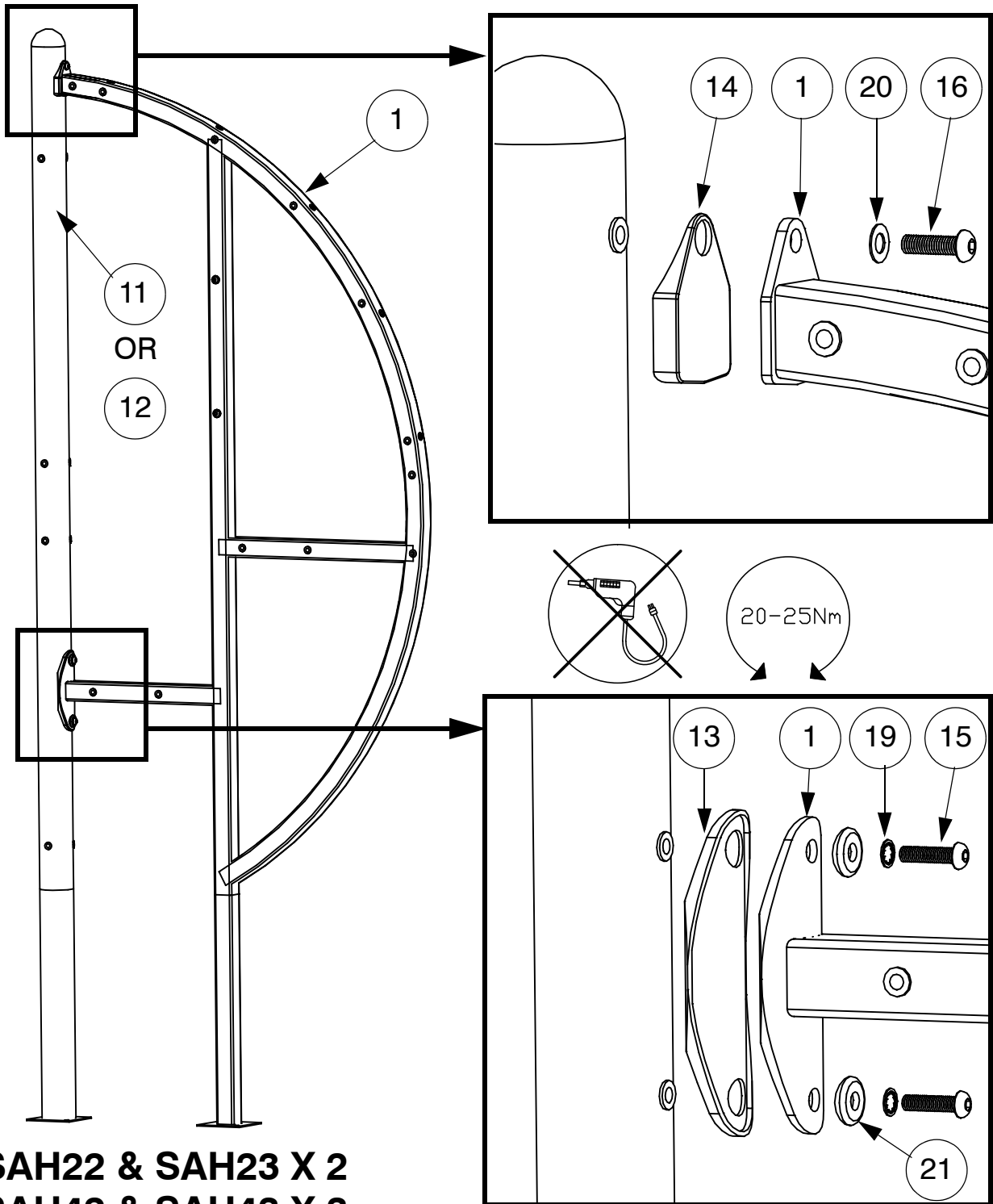



S2 (50mm)
≥C20-25
 101



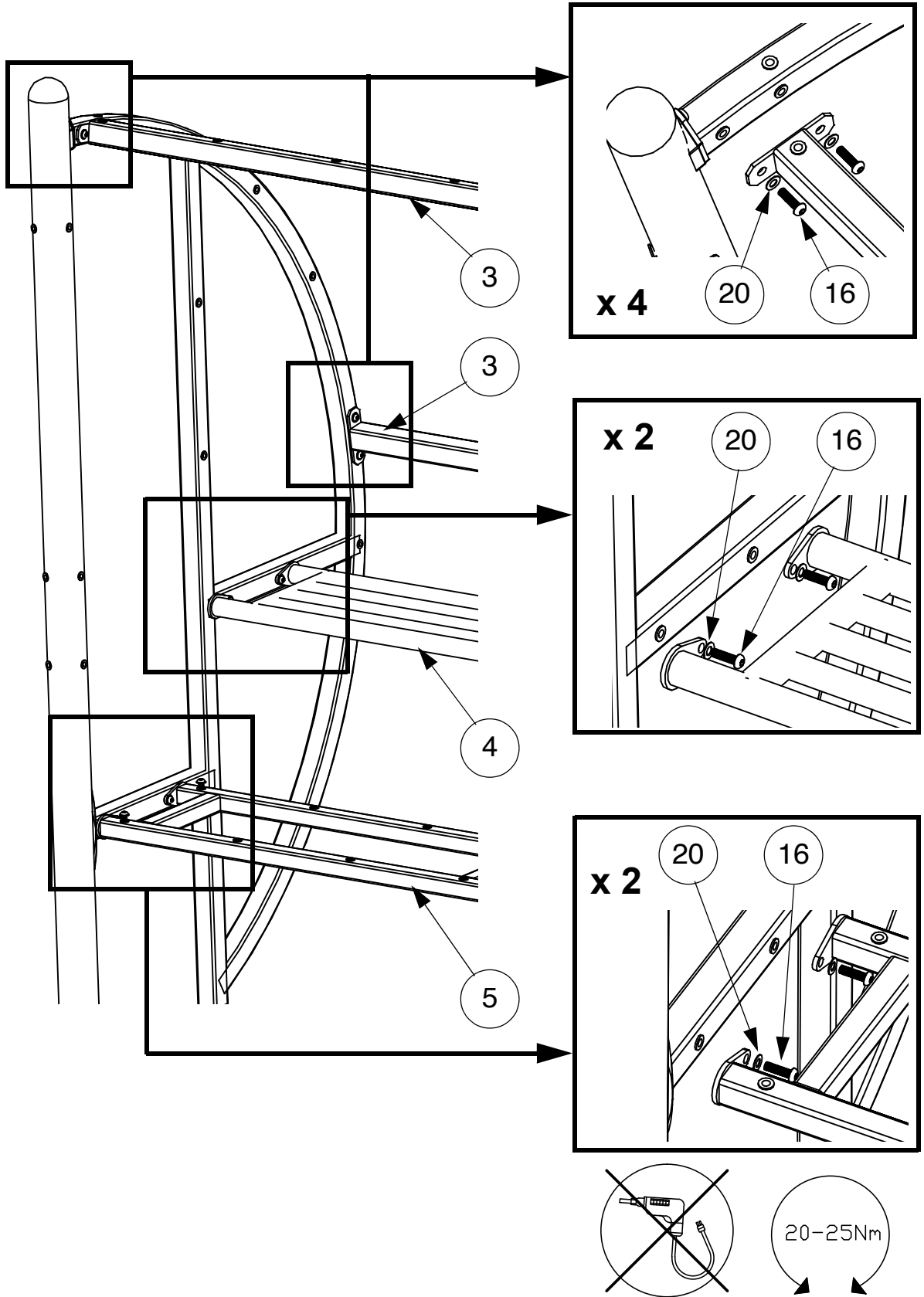
SAH23

# STEP 1

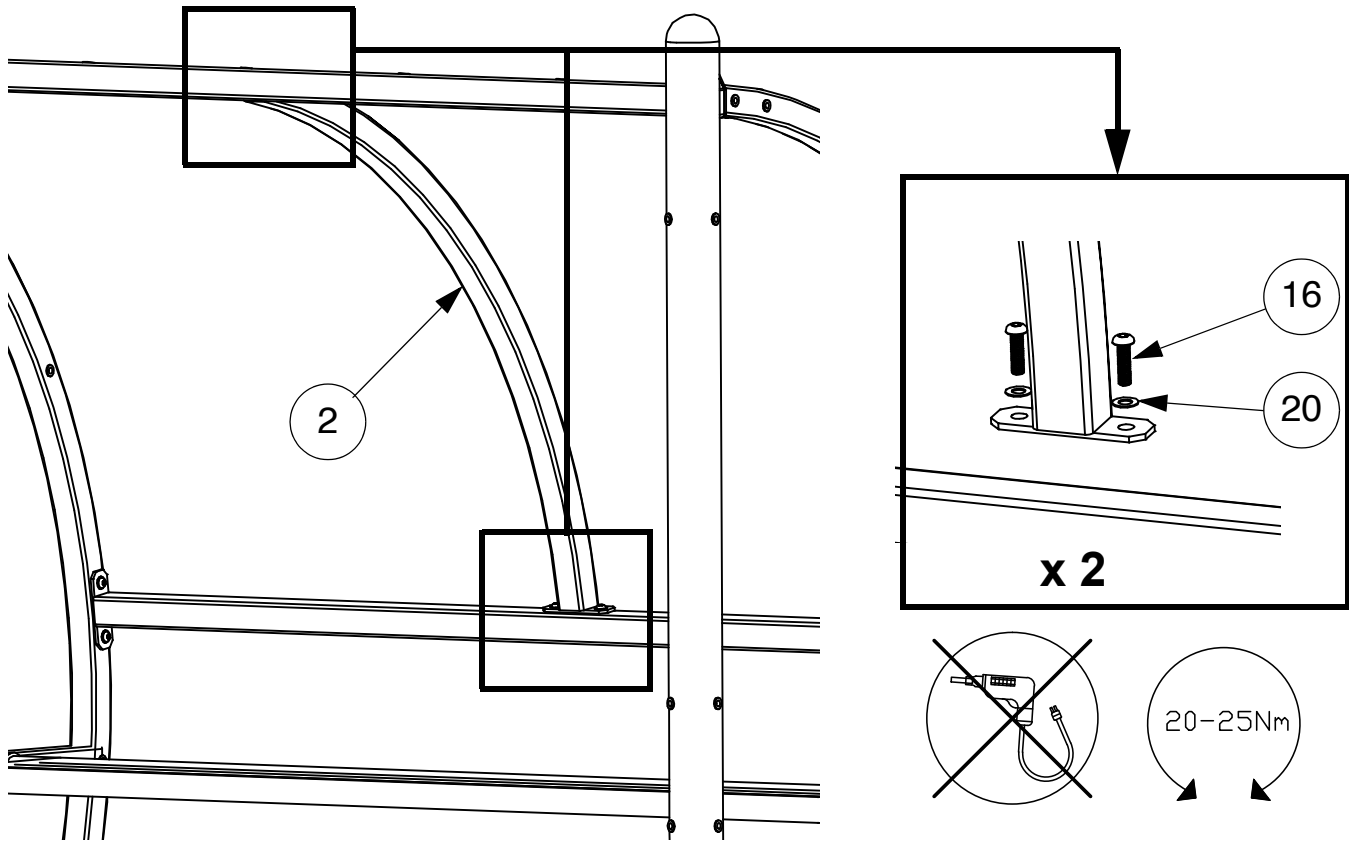


**SAH22 & SAH23 X 2**  
**SAH42 & SAH43 X 3**

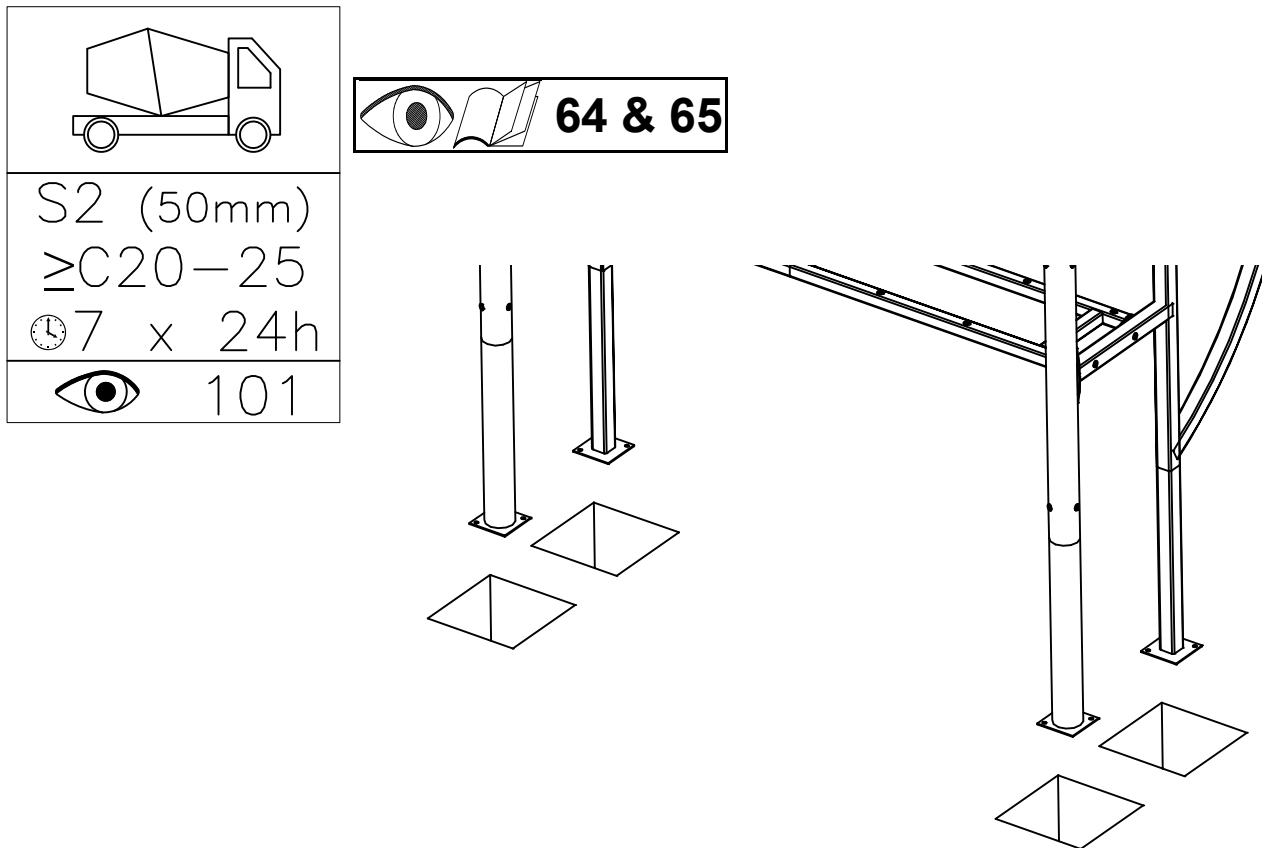
# STEP 2



### STEP 3

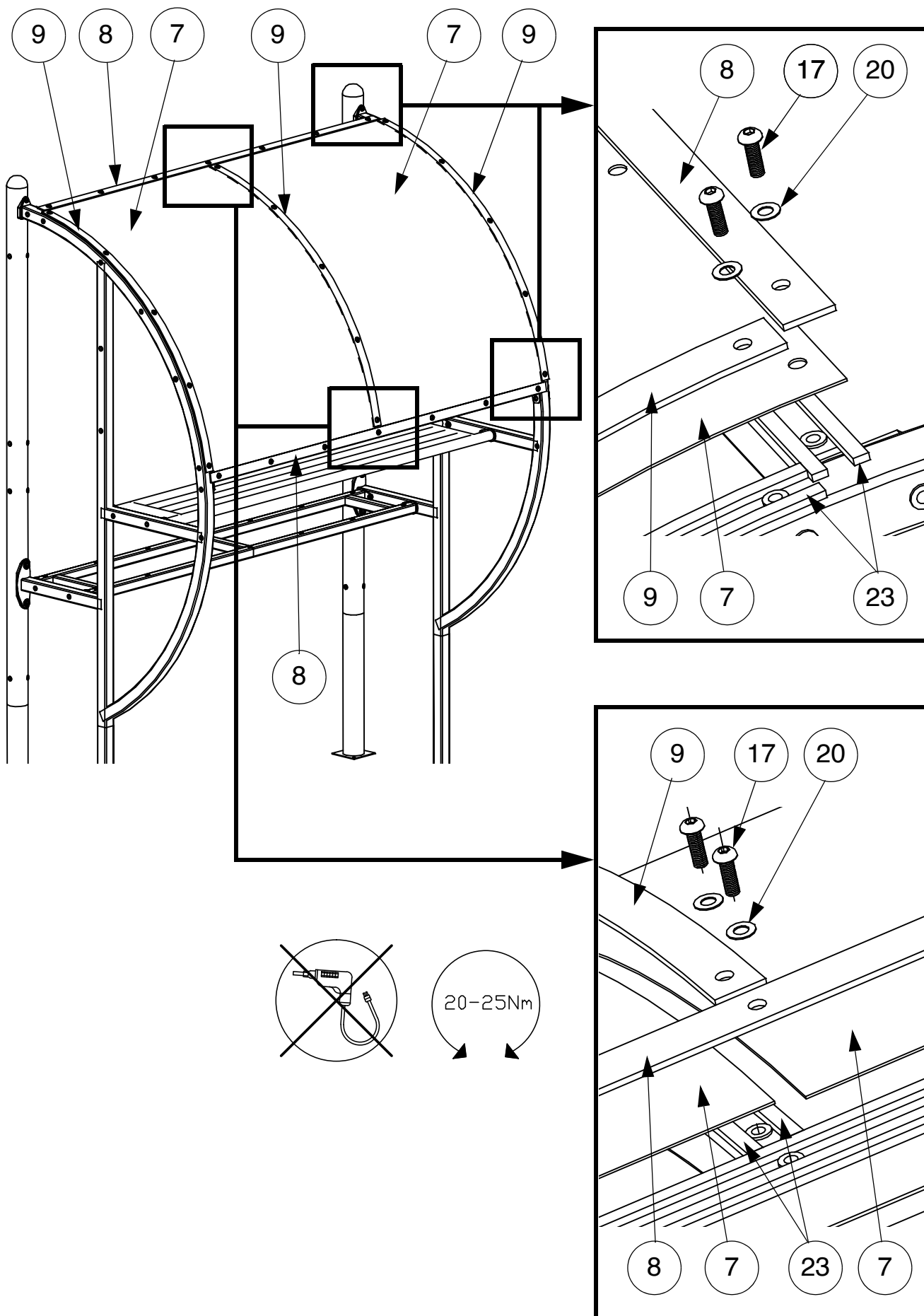


### STEP 4

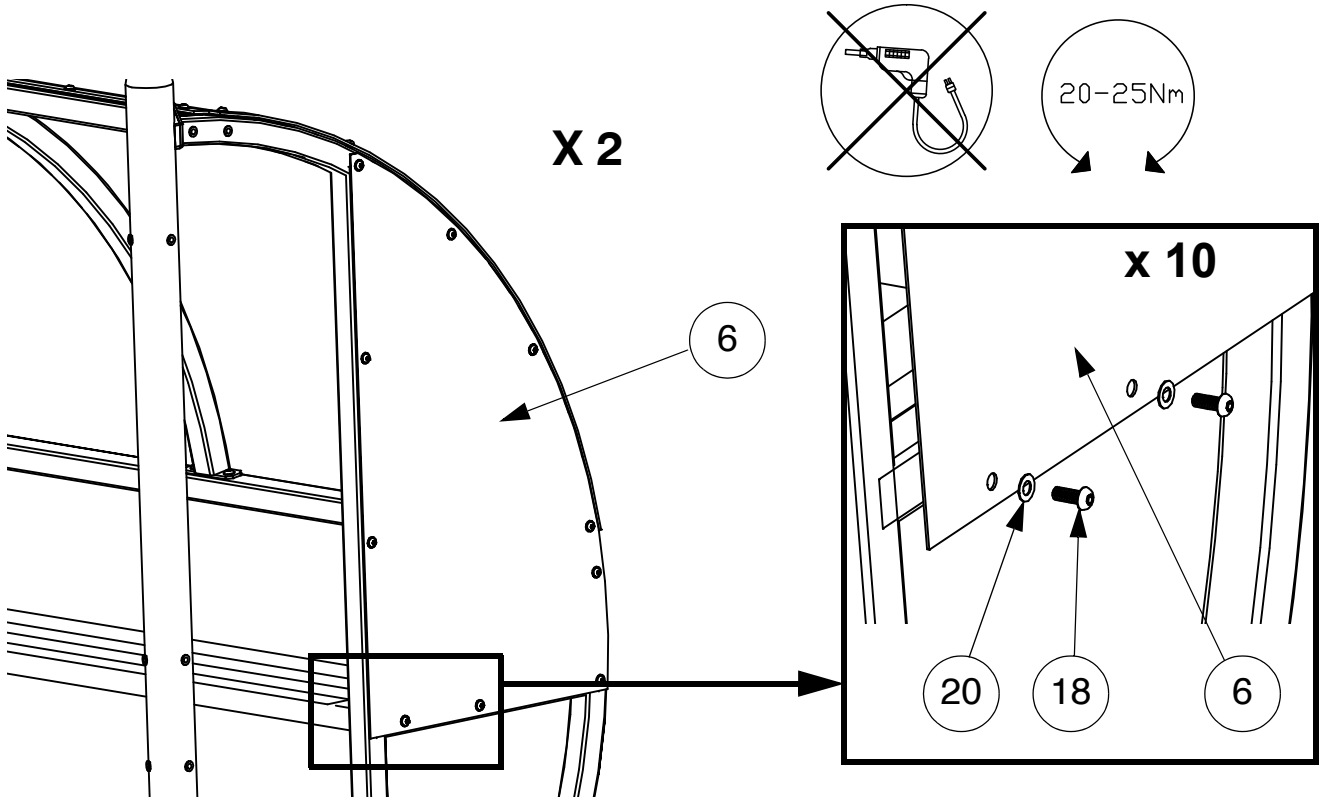




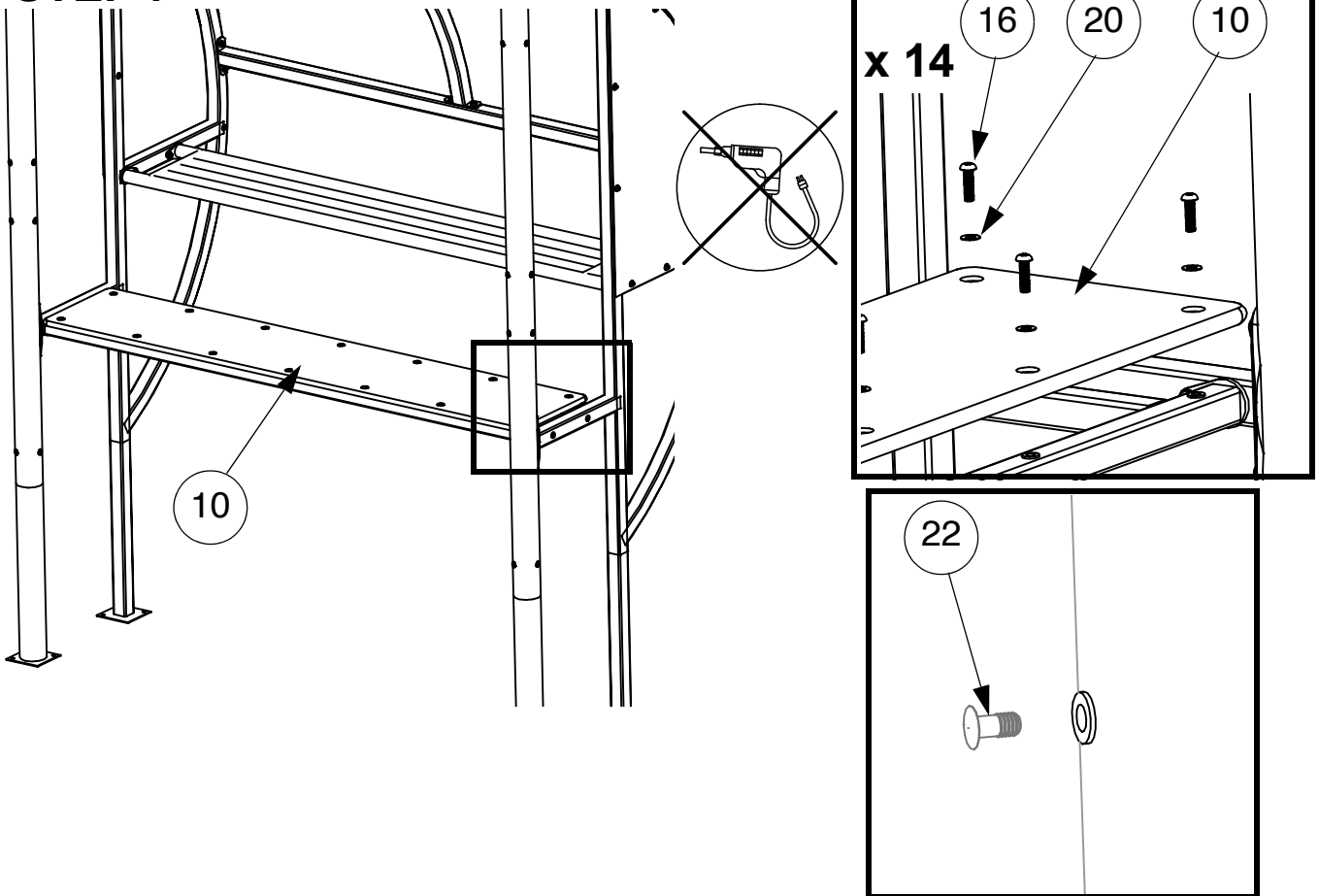
# STEP 5



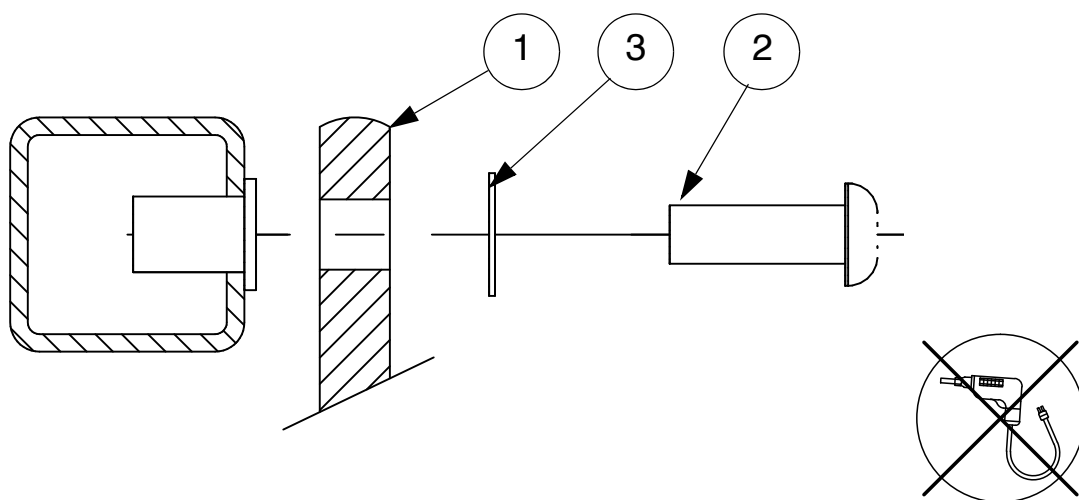
# STEP 6



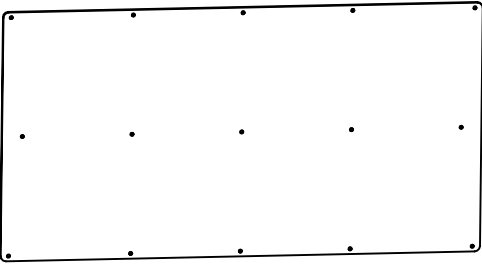
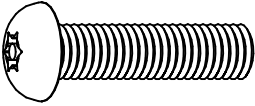
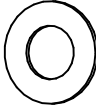
# STEP 7



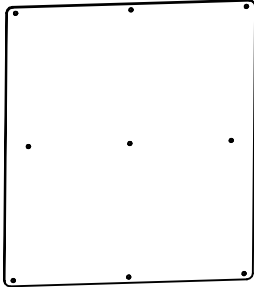

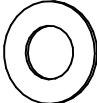
**Section 7: POLY PANELS / ECRANS EN POLYETHYLENE / POLY-WANDELMENENTE / PANNELLI IN POLIETILENE / PP SKÄRMAR**



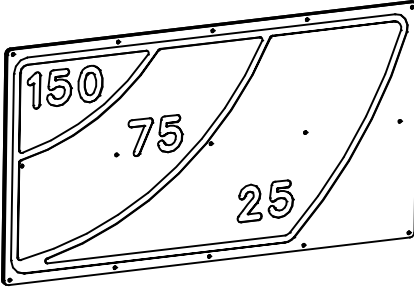
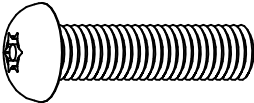
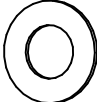
**1 SA2RB**

ITEM			QTY	kg
1	24003007		1	22.000
2	10121040	 M10 X 40	15	0.028
3	10291000	 M10 11X21X1	15	0.002

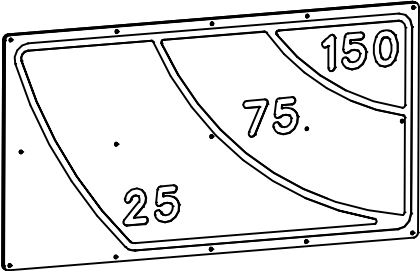
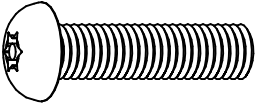
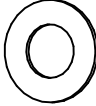
**2 SA1RB**

ITEM			QTY	kg
1	24003006		1	11.000
2	10121040	 M10 X 40	9	0.028
3	10291000	 M10 11X21X1	9	0.002

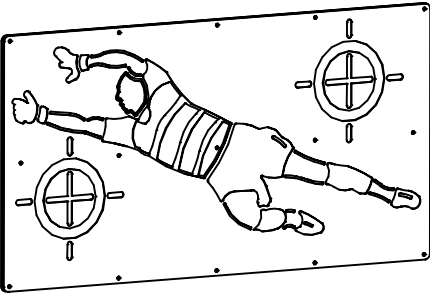
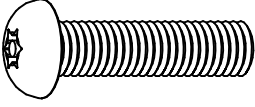
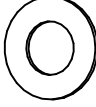
**3 SAYLS**

ITEM			QTY	kg
1	24001103		1	22.000
2	10121040	 M10 X 40	15	0.037
3	10291000	 M10 11X21X1	15	0.002

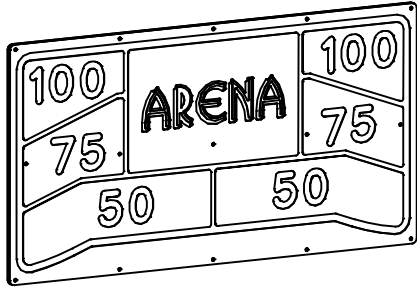
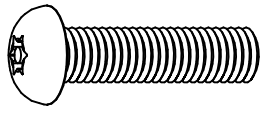
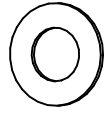
**4 SAYRS**

ITEM			QTY	kg
1	24001104		1	22.000
2	10121040	 M10 X 40	15	0.037
3	10291000	 M10 11X21X1	15	0.002

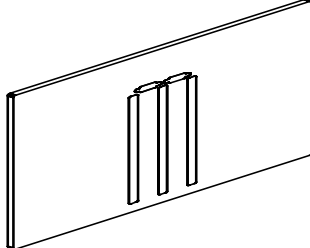
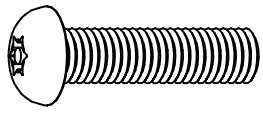
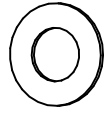
**5 SAYGK**

ITEM			QTY	kg
1	24001105		1	22.000
2	10121040	 M10 X 40	15	0.037
3	10291000	 M10 11X21X1	15	0.002

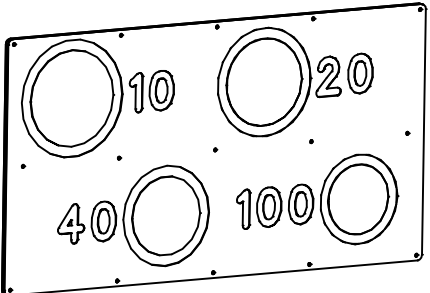
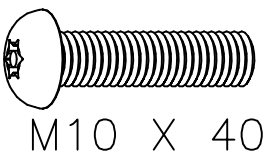
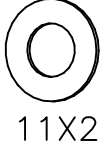
**6 SAYDS**

ITEM			QTY	kg
1	24001106		1	22.000
2	10121040	 M10 X 40	15	0.037
3	10291000	 M10 11X21X1	15	0.002

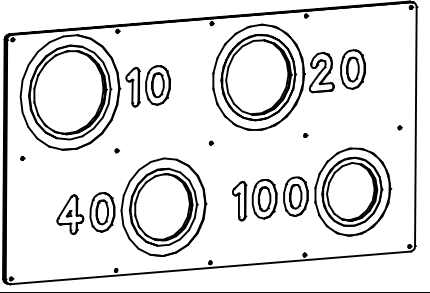
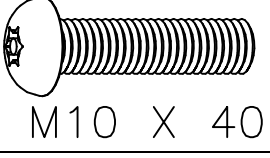
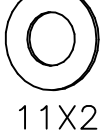
**7 SAYCR**

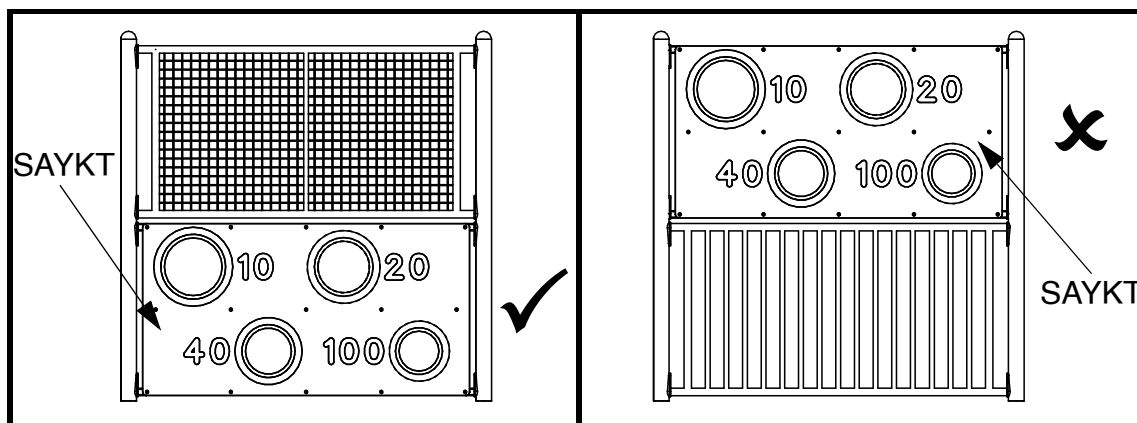
			QTY	kg
1	24002001		1	22.000
2	10121040	 M10 X 40	15	0.037
3	10291000	 M10 11X21X1	15	0.002

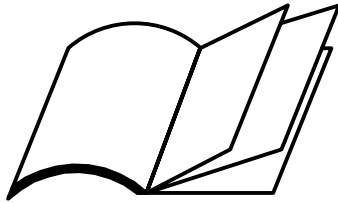
**8 SAYST**

ITEM			QTY	kg
1	24001102		1	22.000
2	10121040		15	0.037
3	10291000		15	0.002

**9 SAYKT**

ITEM			QTY	kg
1	24001101		1	22.000
2	10121040		15	0.037
3	10291000		15	0.002

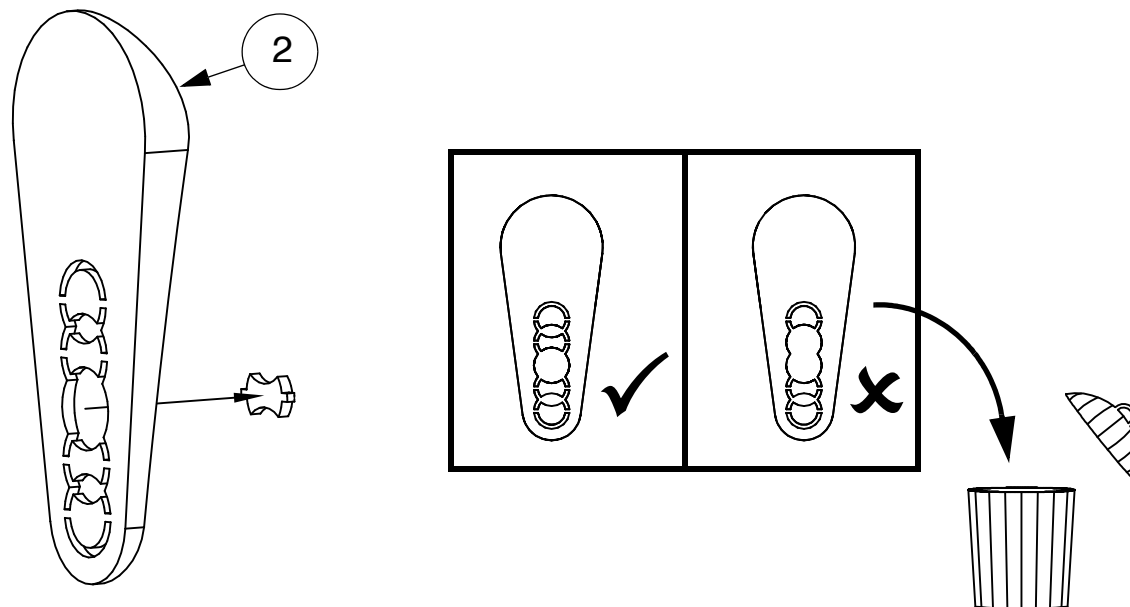




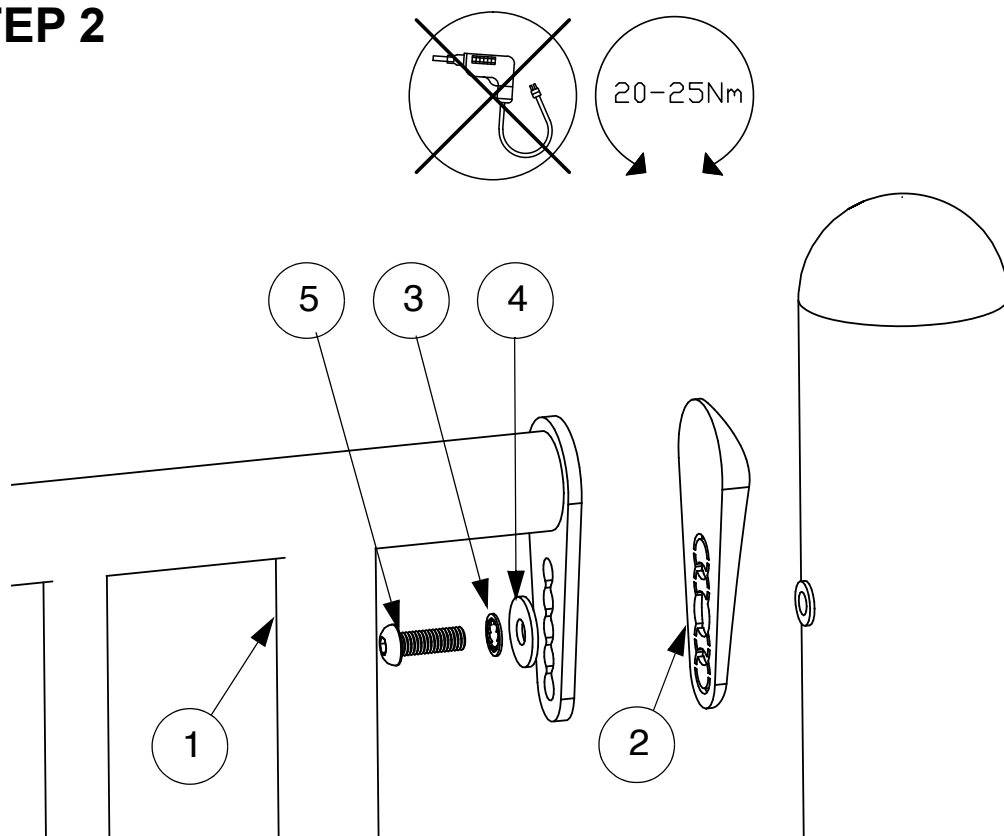


**Section 8: GATES / PORTILLONS / EINGANGE / CANCELLI / GRINDAR**

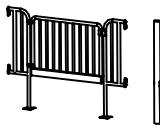
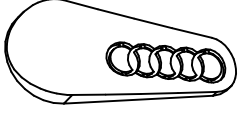
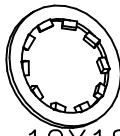
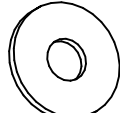
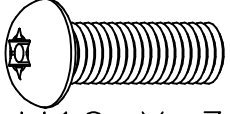
**STEP 1**

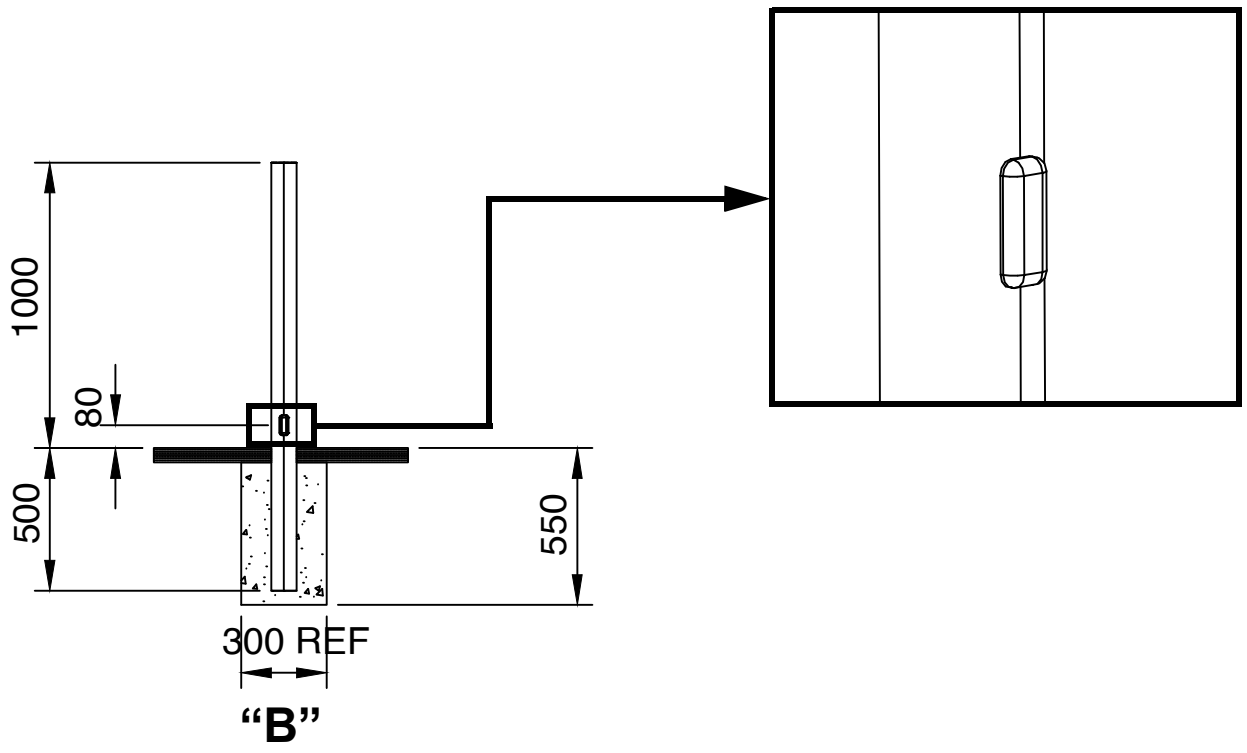
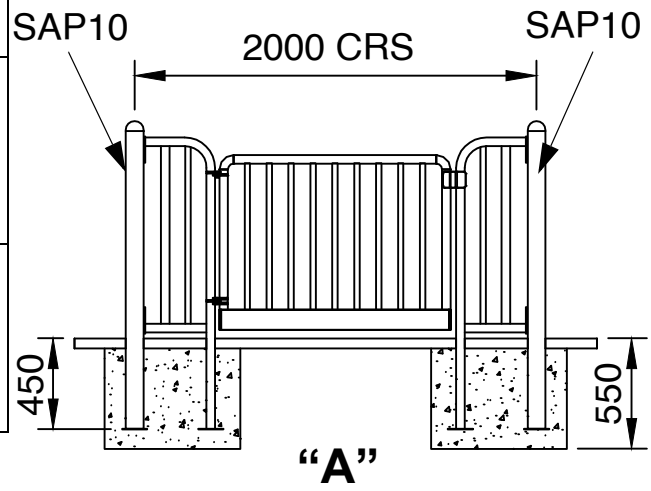
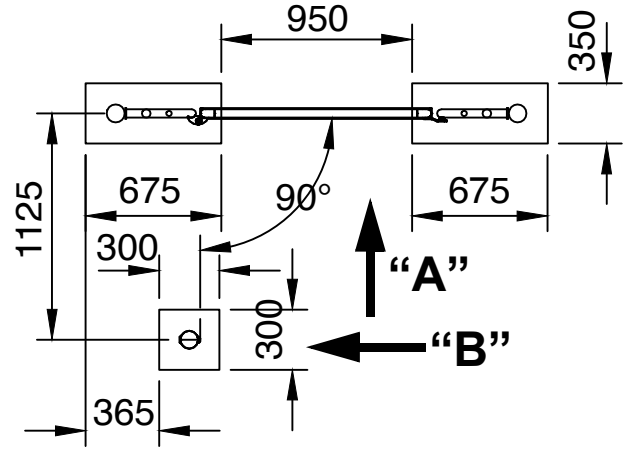


**STEP 2**

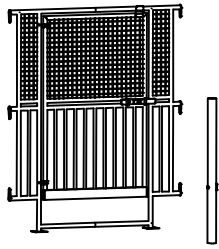
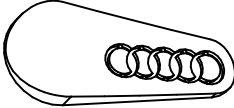
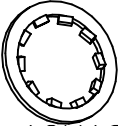
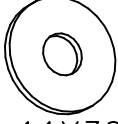
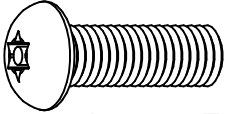


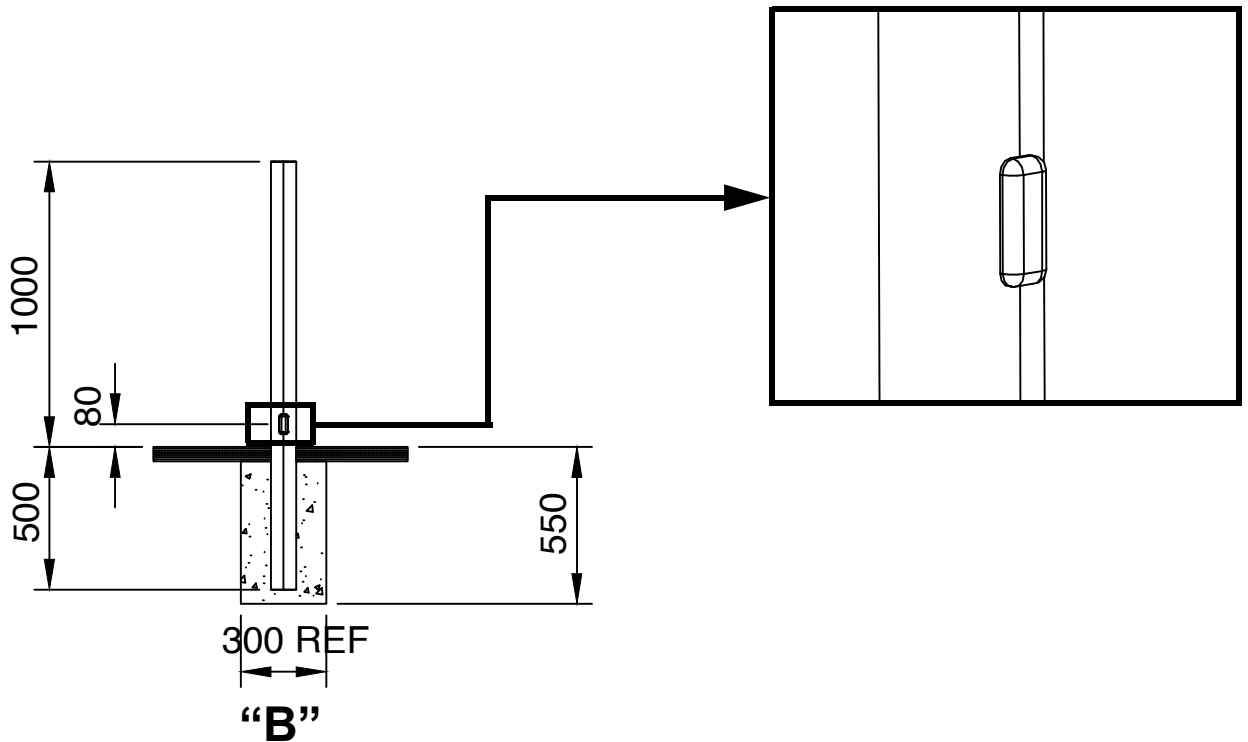
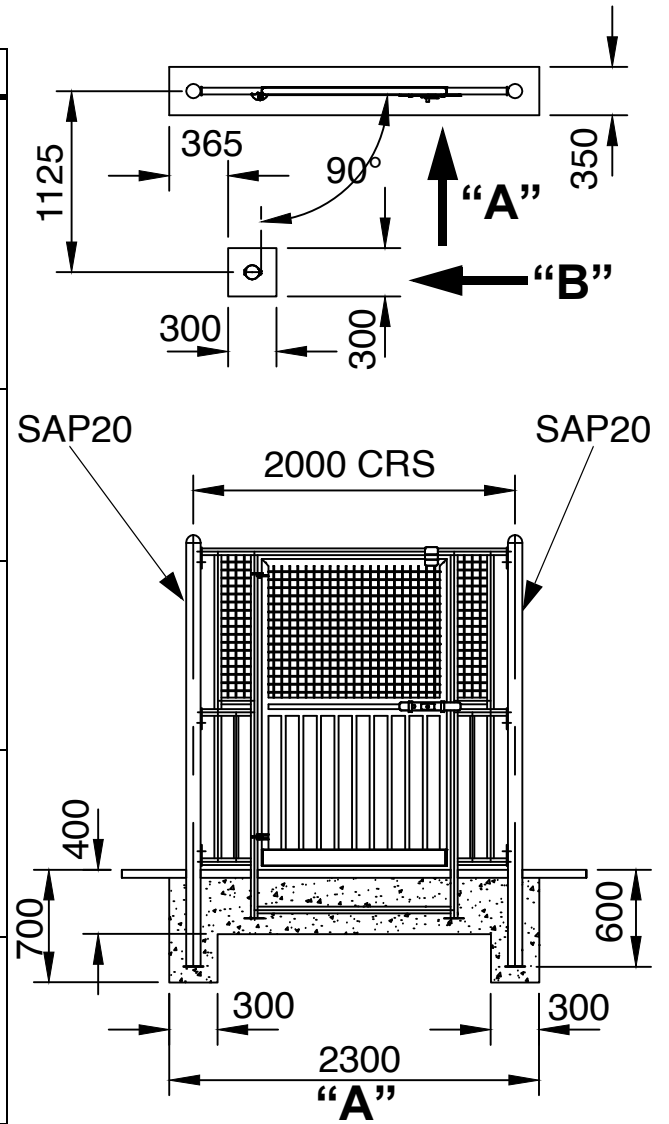
**1 SAZ10**

ITEM	REF		QTY	kg
1	24000608		1	58.50
2	19022401		4	0.010
3	10301000	 M10 12X18X1	4	0.002
4	10309999	 M10 11X30X2.5	4	0.011
5	10121030	 M10 X 30	4	0.028

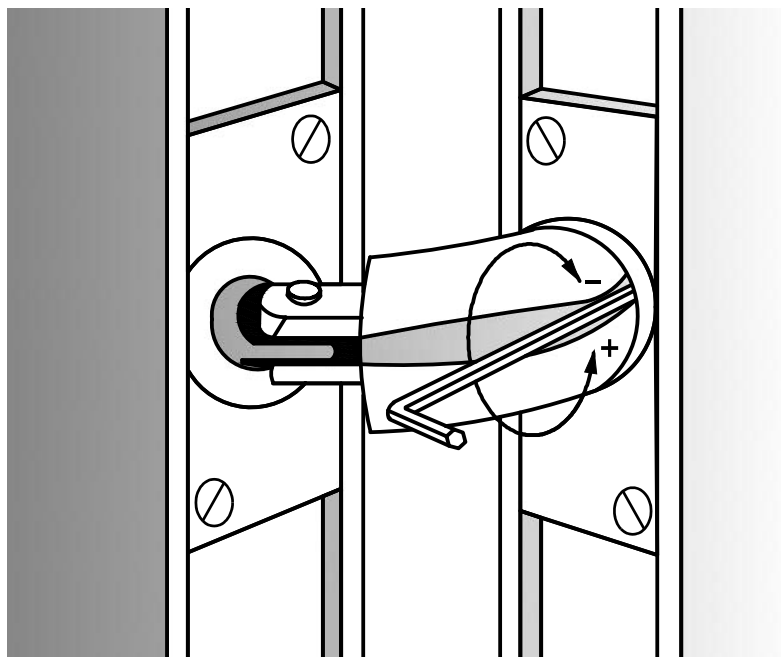


2 SAZ20

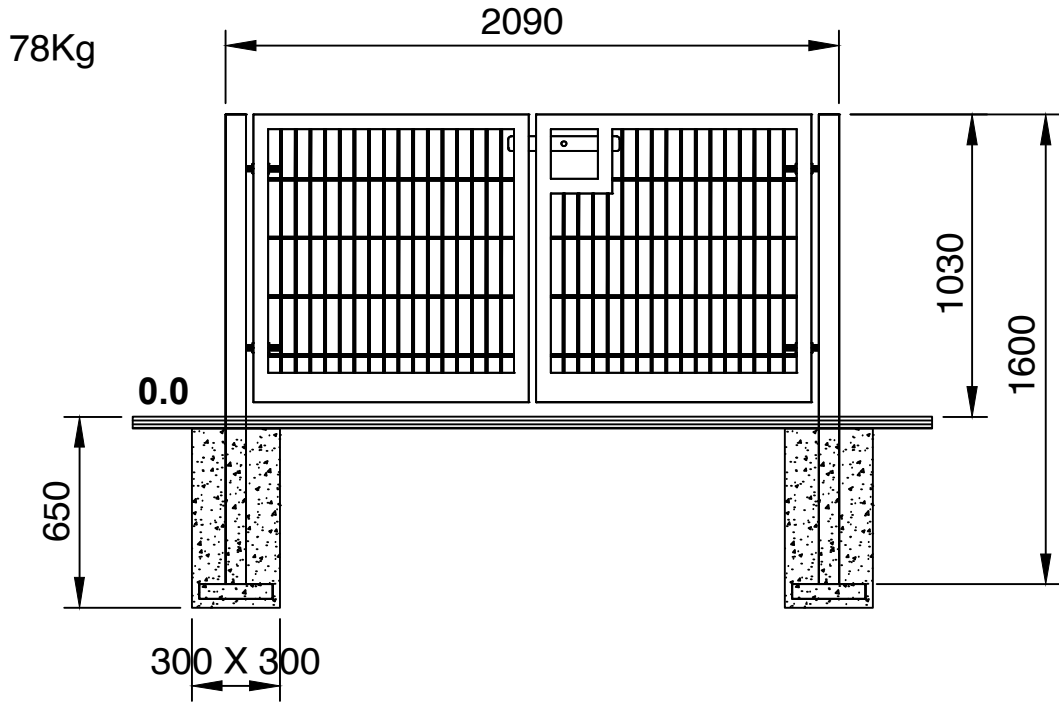
ITEM	REF		QTY	kg
1	24000609		1	103.50
2	19022401		6	0.010
3	10301000	 M10 12X18X1	6	0.002
4	10309999	 M10 11X30X2.5	6	0.011
5	10121030	 M10 X 30	6	0.028



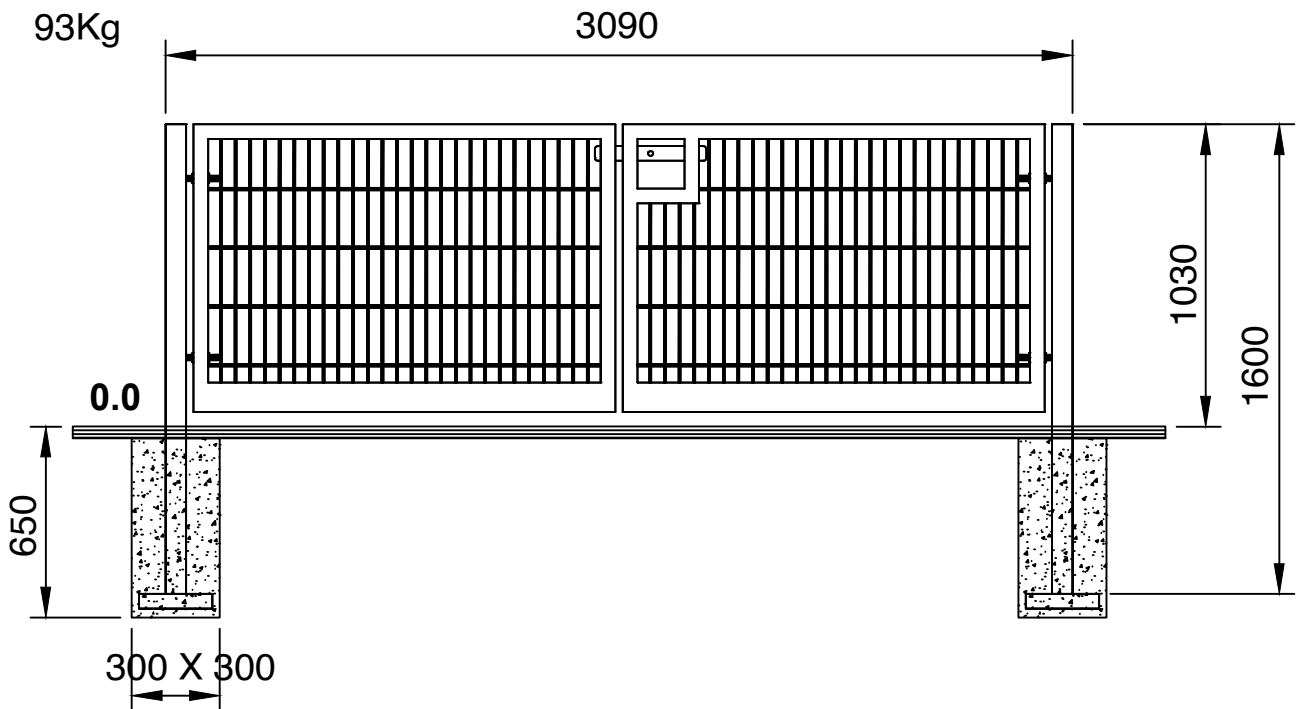
**3 ADJUSTMENT OF GATE CLOSING SPEED**  
**AJUSTEMENT DE LA VITESSE DE FERMETURE DU PORTILLON**  
**EINSTELLEN DER SCHLISSGESCHWINDIGKEIT DES EINGANGSTORES**  
**REGOLAZIONE DELLA VELOCITÀ DI CHIUSURA DEL CANCELLO**  
**JUSTERING HASTIGHET AV GRINDENS STÄNGNING**



4 SAZ12

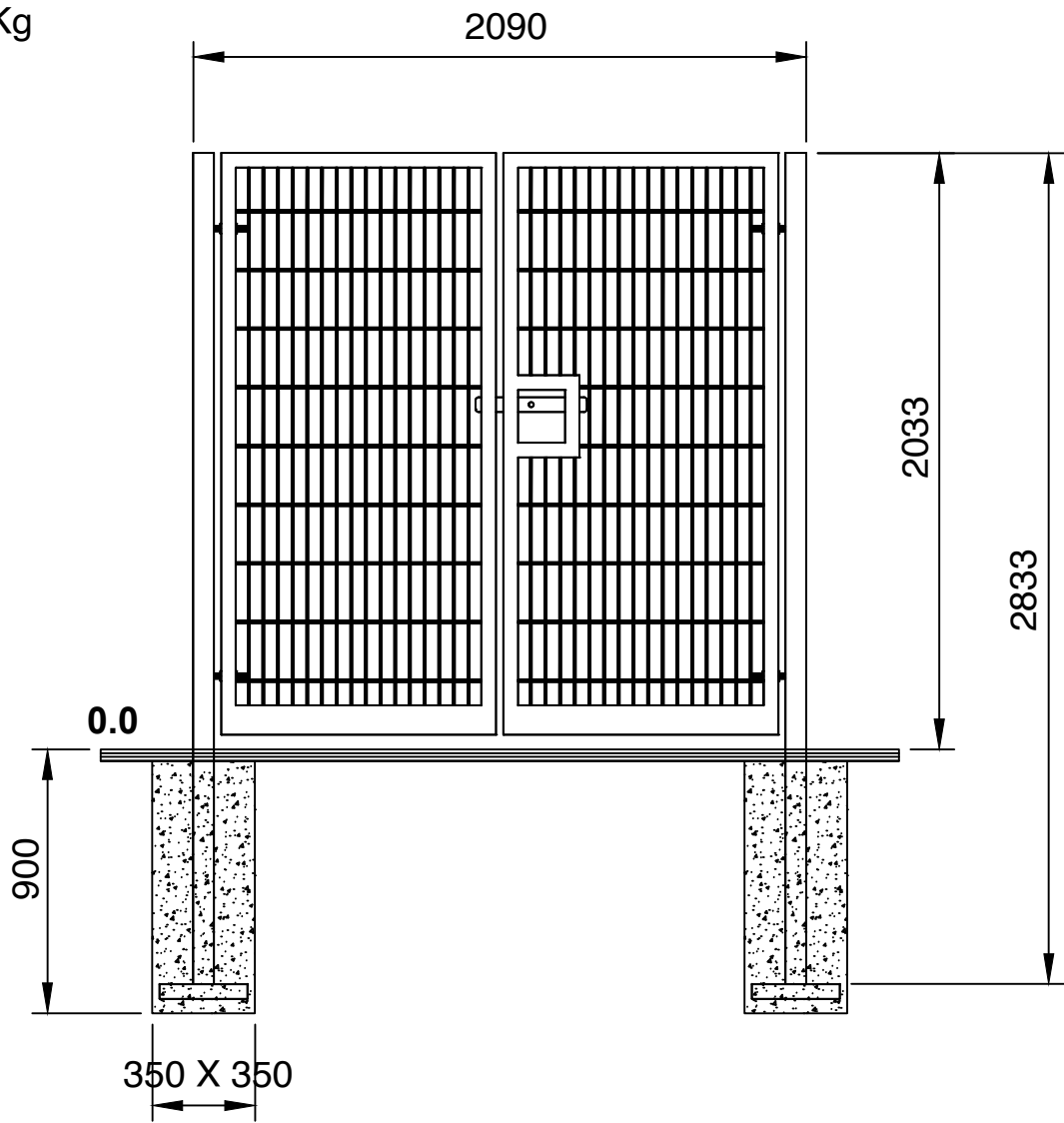


5 SAZ13

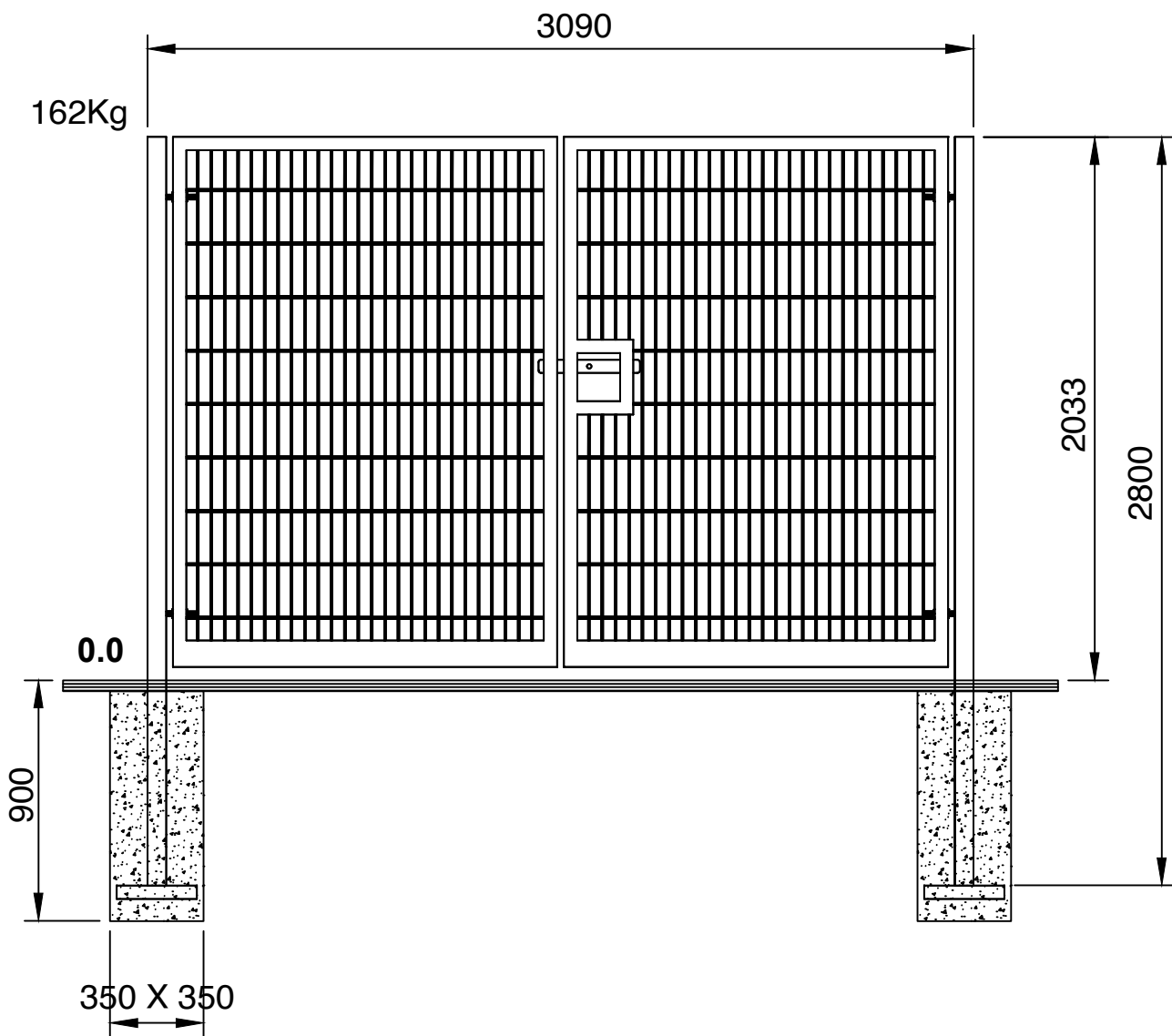


6 SAZ22

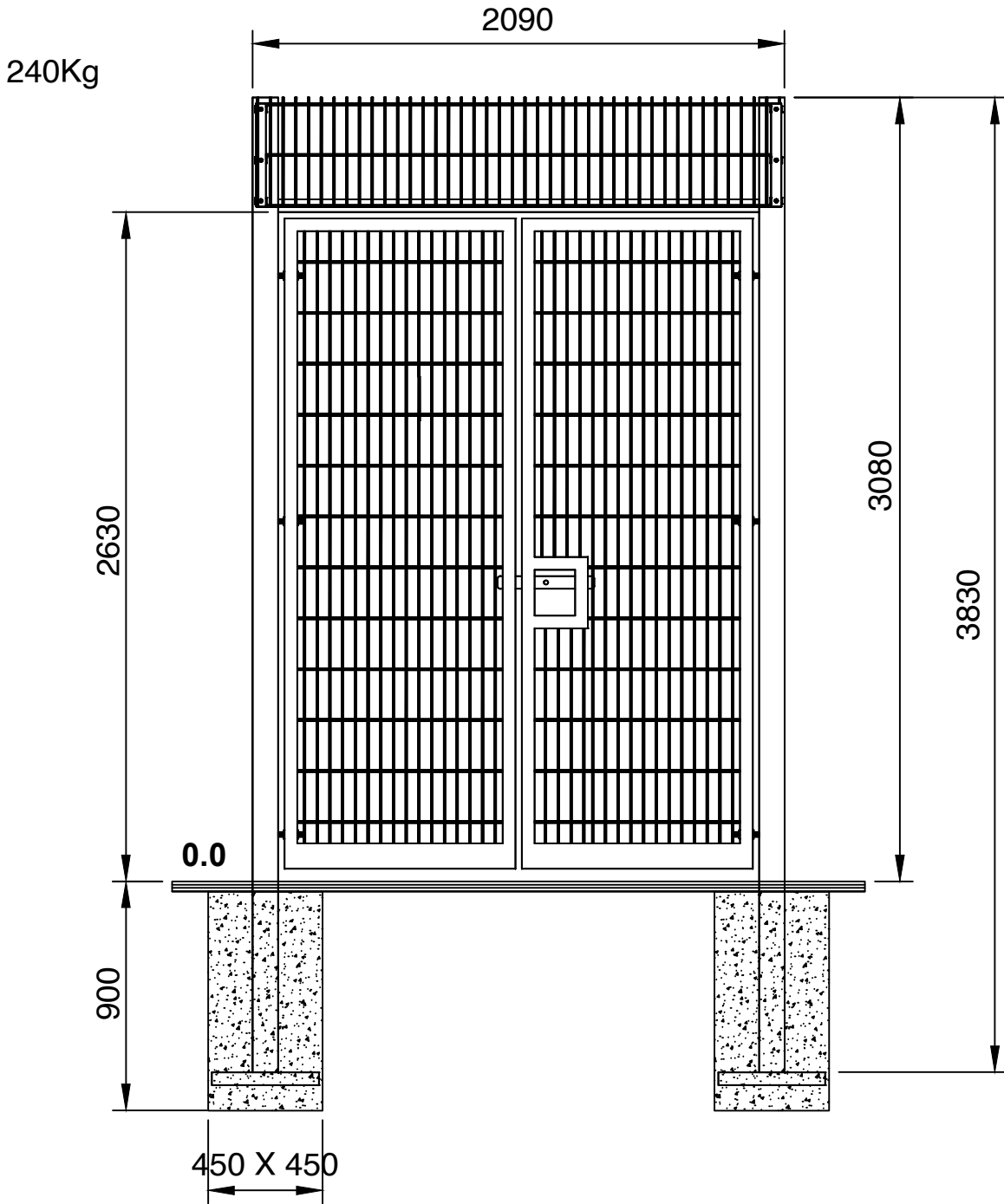
140Kg



7 SAZ23

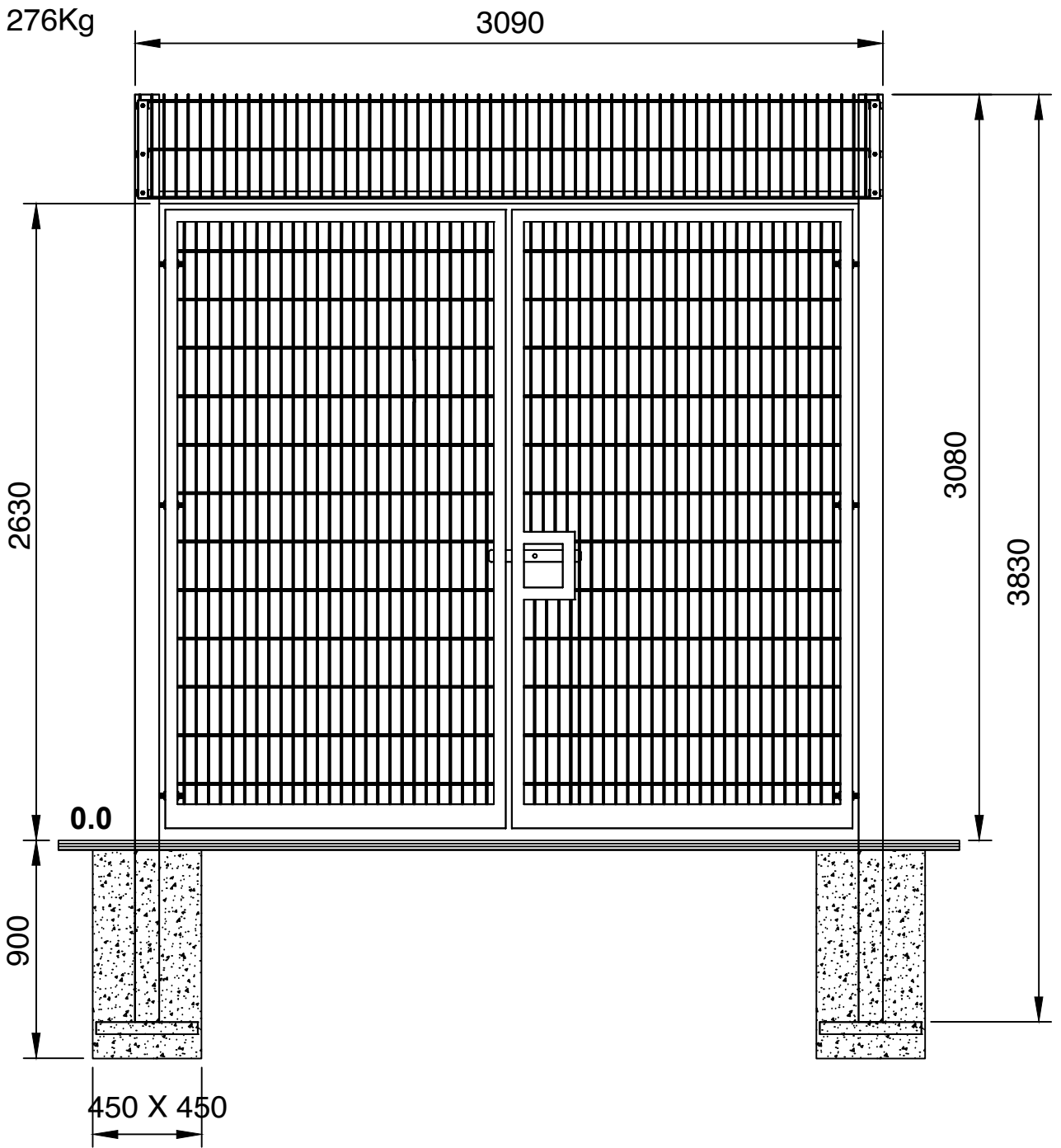


8 SAZ32

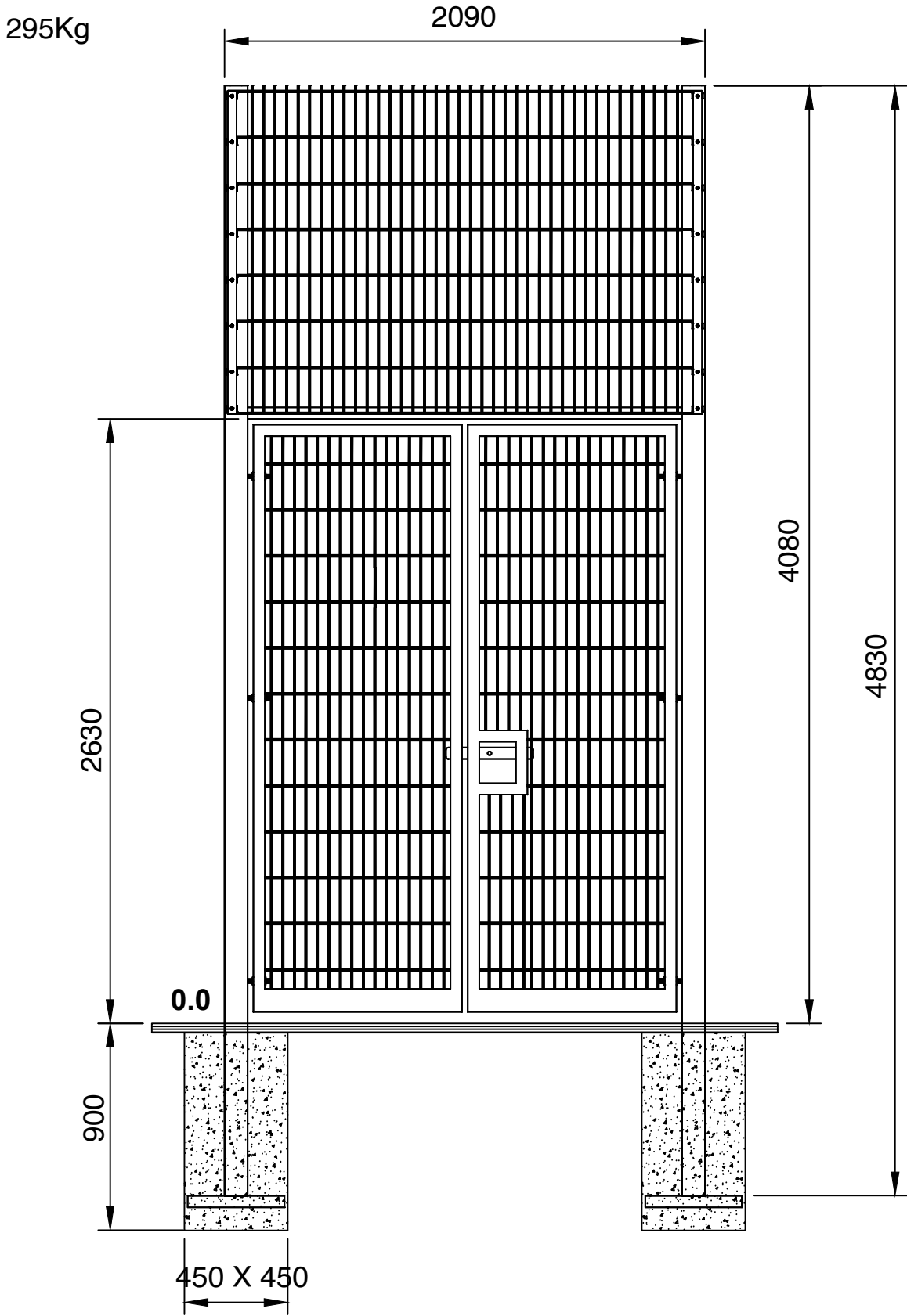




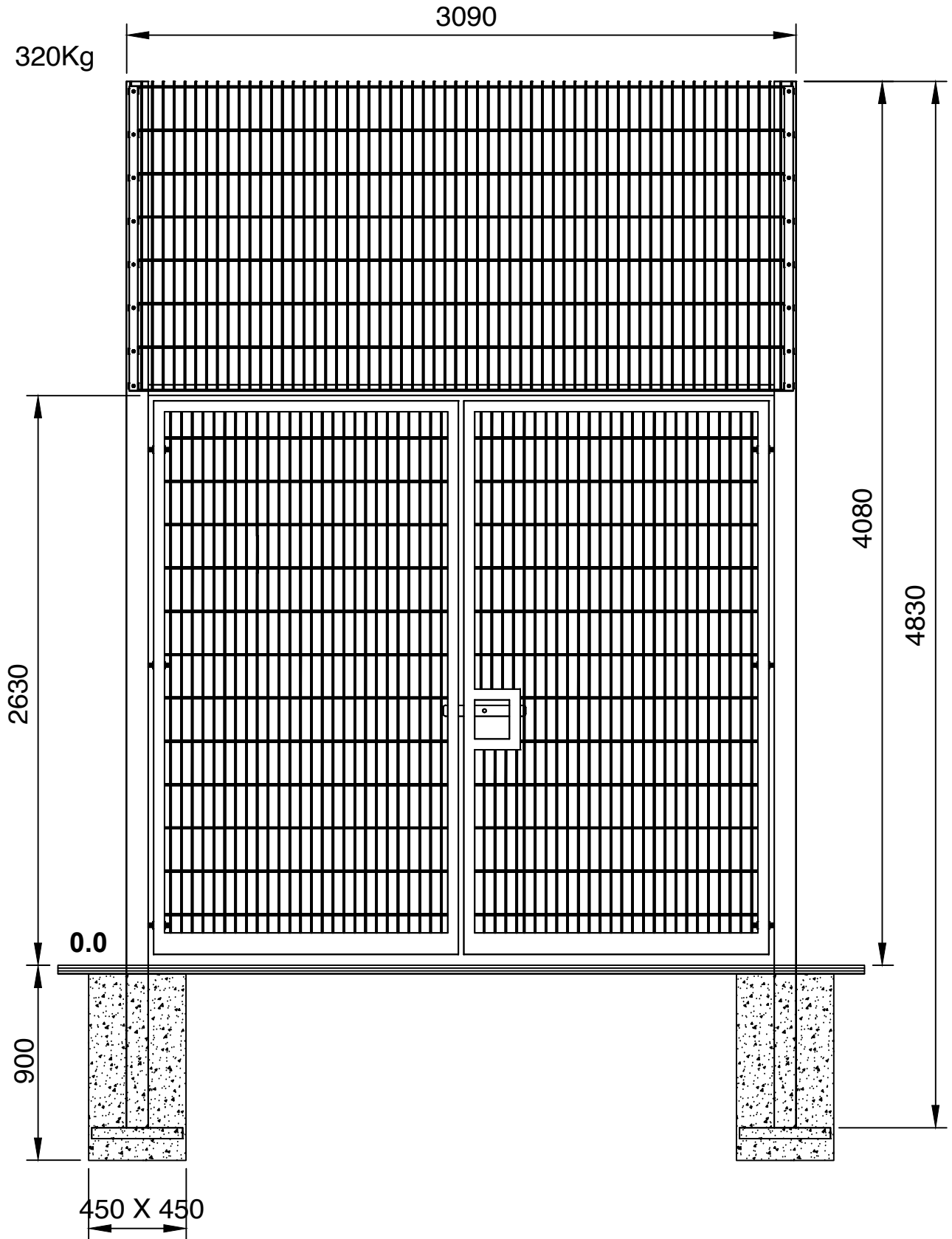
9 SAZ33

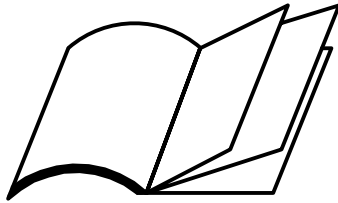


10 SAZ42



11 SAZ43

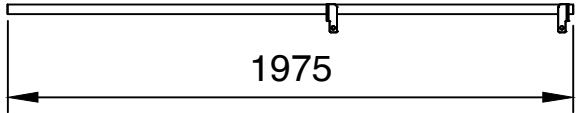




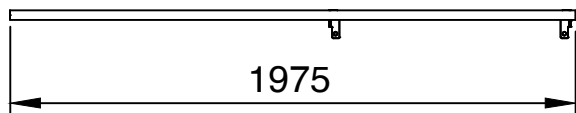
## Section 9: NET EXTENSIONS / RALLONGES PARE-BALLONS / NETZ- VERLÄNGERUNGEN / ESTENSIONI RETI / FÖRLÄNGNINGSTOLPE

1

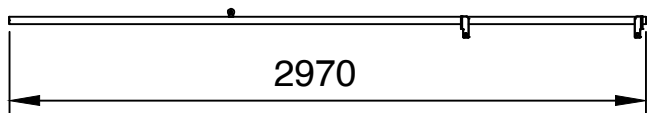
## 1.1 SABSL10

ITEM	REF		QTY	kg
1	24101012		1	5.00

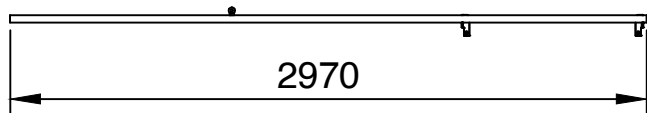
## 1.2 SABSR10

ITEM	REF		QTY	kg
1	24101018		1	5.00

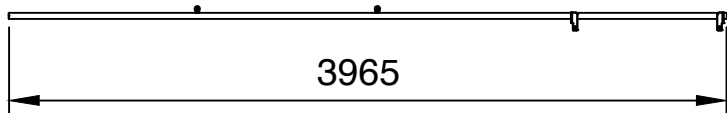
## 1.3 SABSL20

ITEM	REF		QTY	kg
1	24102012		1	7.00

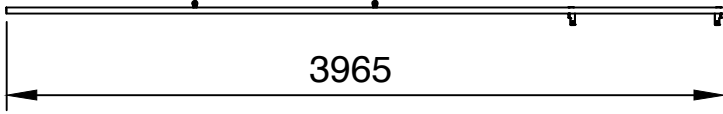
## 1.4 SABSR20

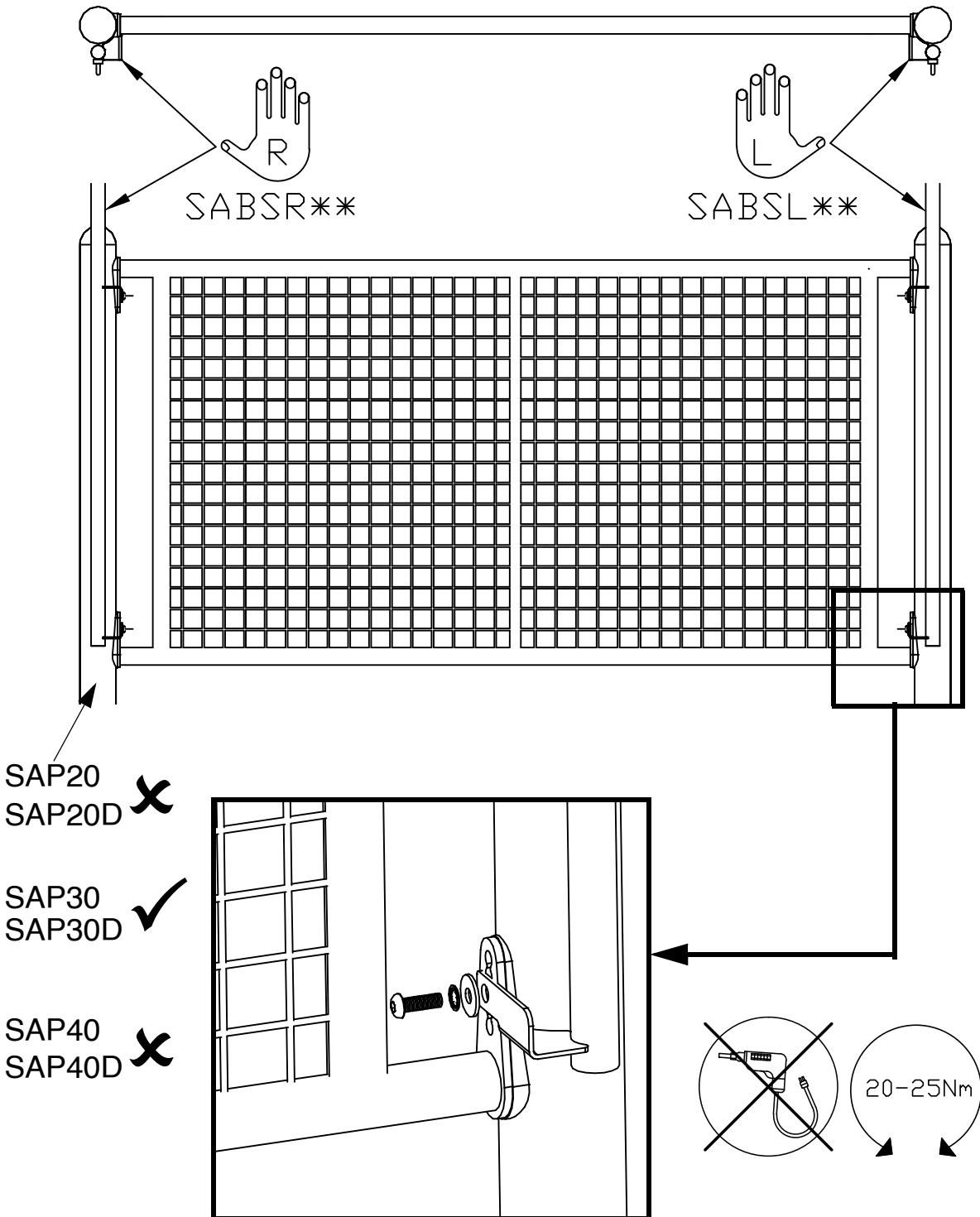
ITEM	REF		QTY	kg
1	24102018		1	7.00

## 1.5 SABSL30

ITEM	REF		QTY	kg
1	24103012		1	9.50

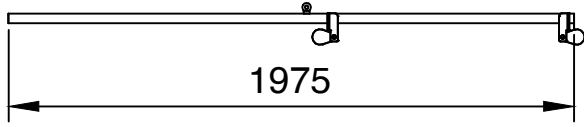
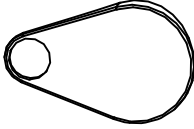
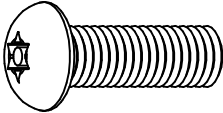
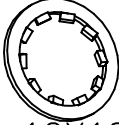
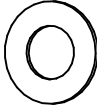
1.6 SABSR30

ITEM	REF		QTY	kg
1	24103018		1	9.50

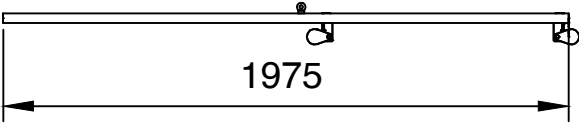
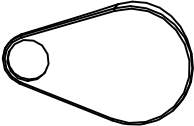
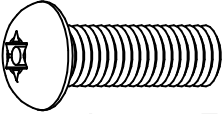
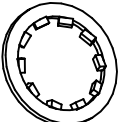
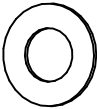


2

2.1 SABSL10S

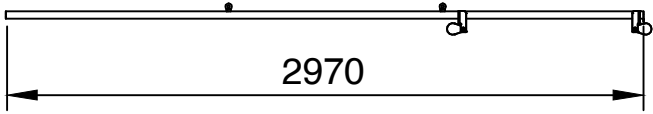
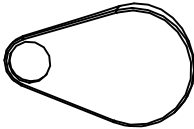
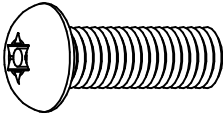
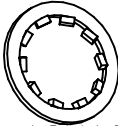
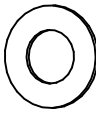
ITEM	REF		QTY	kg
1	24111012		1	5.00
2	19025501		2	0.015
3	10121030	 <p>M10 X 30</p>	2	0.028
4	10301000	 <p>M10 12X18X1</p>	2	0.002
5	10291000	 <p>M10 11X21X1</p>	2	0.002

## 2.2 SABSR10S

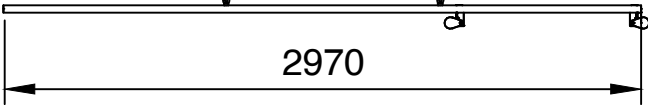
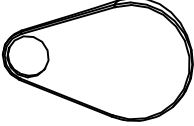
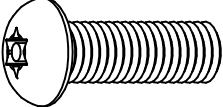
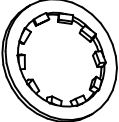
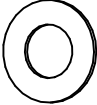
ITEM	REF		QTY	kg
1	24111018		1	5.00
2	19025501		2	0.015
3	10121030	 M10 X 30	2	0.028
4	10301000	 M10 12X18X1	2	0.002
5	10291000	 M10 11X21X1	2	0.002



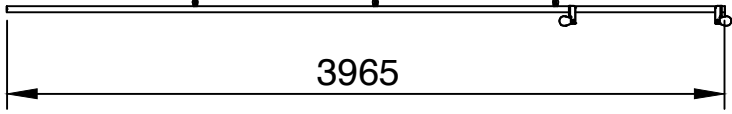
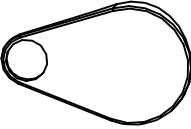
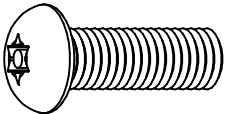
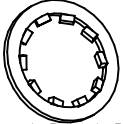
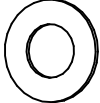
## 2.3 SABSL20S

ITEM	REF		QTY	kg
1	24112012		1	7.00
2	19025501		2	0.015
3	10121030	 M10 X 30	2	0.028
4	10301000	 M10 12X18X1	2	0.002
5	10291000	 M10 11X21X1	2	0.002

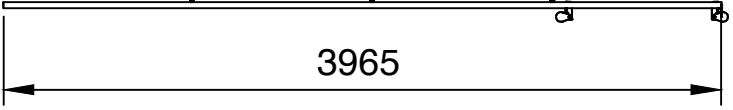
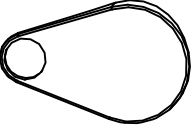
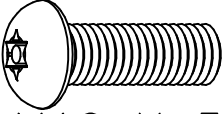
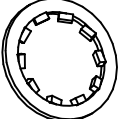
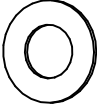
2.4 SABSR20S

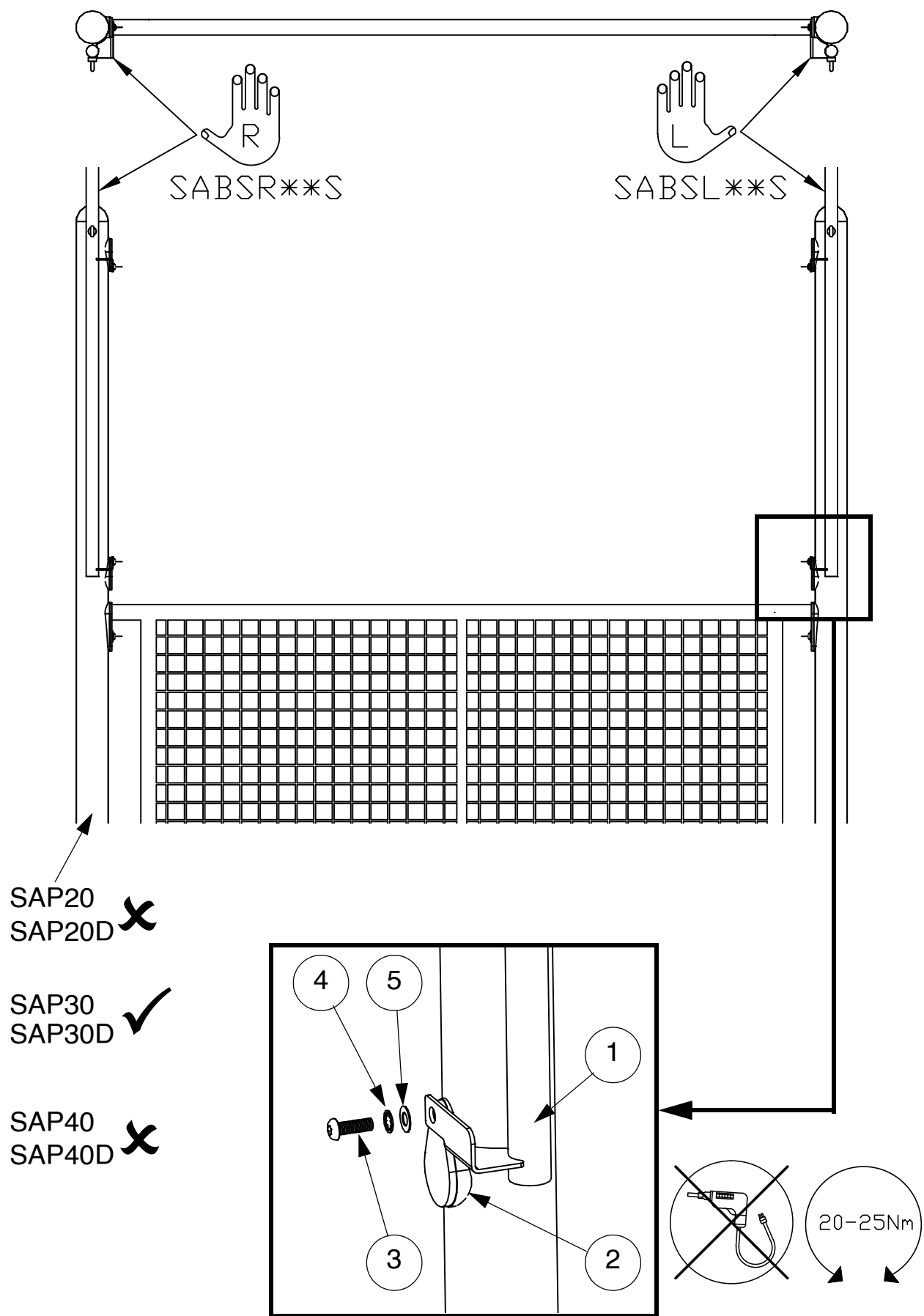
ITEM	REF		QTY	kg
1	24112018		1	7.00
2	19025501		2	0.015
3	10121030	 <p data-bbox="539 712 778 757">M10 X 30</p>	2	0.028
4	10301000	 <p data-bbox="517 913 759 949">M10 12X18X1</p>	2	0.002
5	10291000	 <p data-bbox="517 1093 759 1128">M10 11X21X1</p>	2	0.002

2.5 SABSL30S

ITEM	REF		QTY	kg
1	24113012		1	9.50
2	19025501		2	0.015
3	10121030	 <p>M10 X 30</p>	2	0.028
4	10301000	 <p>M10 12X18X1</p>	2	0.002
5	10291000	 <p>M10 11X21X1</p>	2	0.002

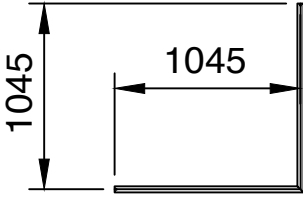
2.6 SABSR30S

ITEM	REF		QTY	kg
1	24113018		1	9.50
2	19025501		2	0.015
3	10121030	 <p data-bbox="539 719 778 757">M10 X 30</p>	2	0.028
4	10301000	 <p data-bbox="517 913 759 952">M10 12X18X1</p>	2	0.002
5	10291000	 <p data-bbox="517 1093 759 1131">M10 11X21X1</p>	2	0.002




3

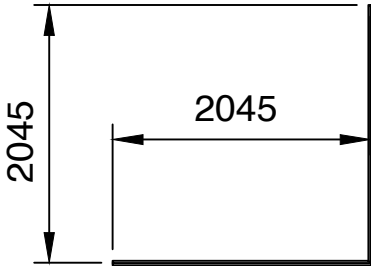
3.1 SABTA10

ITEM	REF		QTY	kg
1	24300550		1	5.00

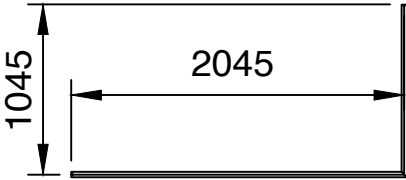
3.2 SABTA15

ITEM	REF		QTY	kg
1	24302040		1	4.50

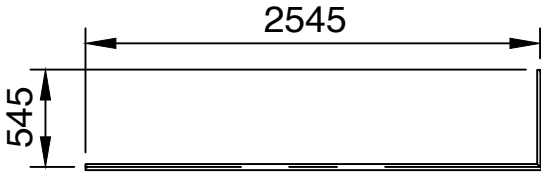
3.3 SABTA20

ITEM	REF		QTY	kg
1	24300555		1	9.50

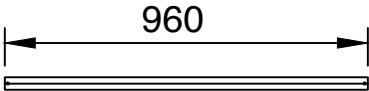
3.4 SABTA21

ITEM	REF		QTY	kg
1	24302045		1	7.00

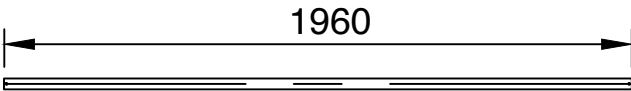
**3.5 SABTA25**

ITEM	REF		QTY	kg
1	24302050		1	6.75

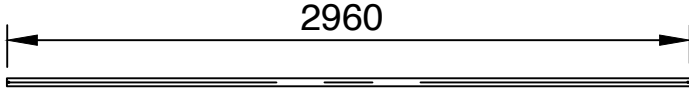
**3.6 SABTS10**

ITEM	REF		QTY	kg
1	24200960		1	2.25

**3.7 SABTS20**

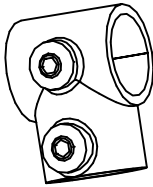
ITEM	REF		QTY	kg
1	24201960		1	4.50

**3.8 SABTS30**

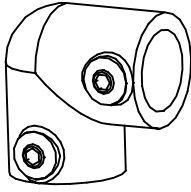
ITEM	REF		QTY	kg
1	24202960		1	7.00

**4**

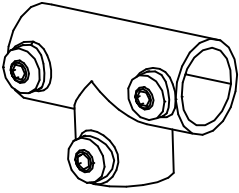
**4.1 SABSF10**

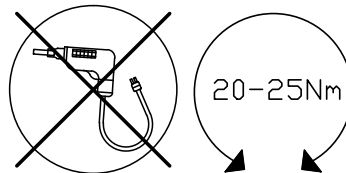
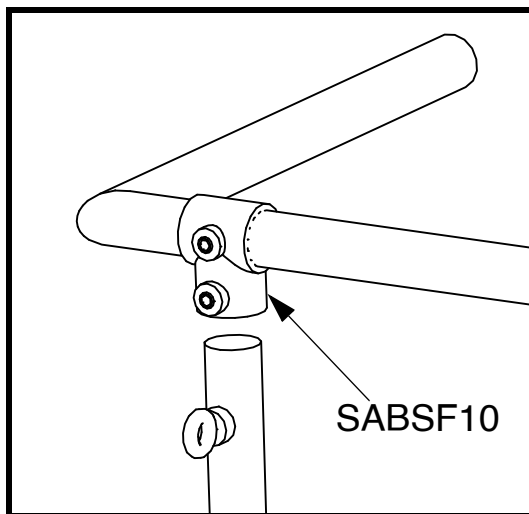
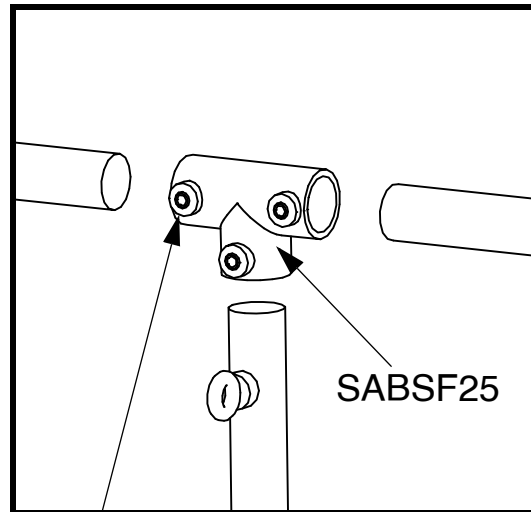
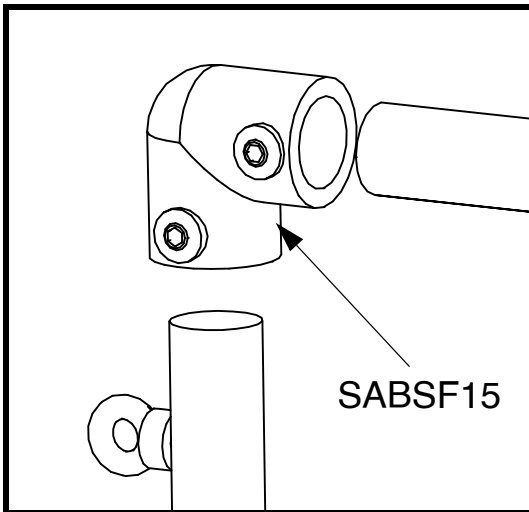
ITEM	REF		QTY	kg
1	16011006		1	0.29

**4.2 SABSF15**

ITEM	REF		QTY	kg
1	16011506		1	0.37

**4.3 SABSF25**

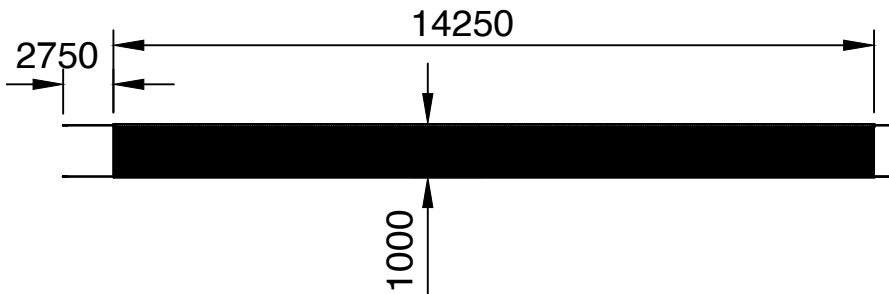
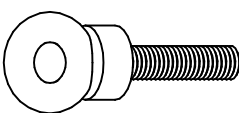
ITEM	REF		QTY	kg
1	16012506		1	0.49

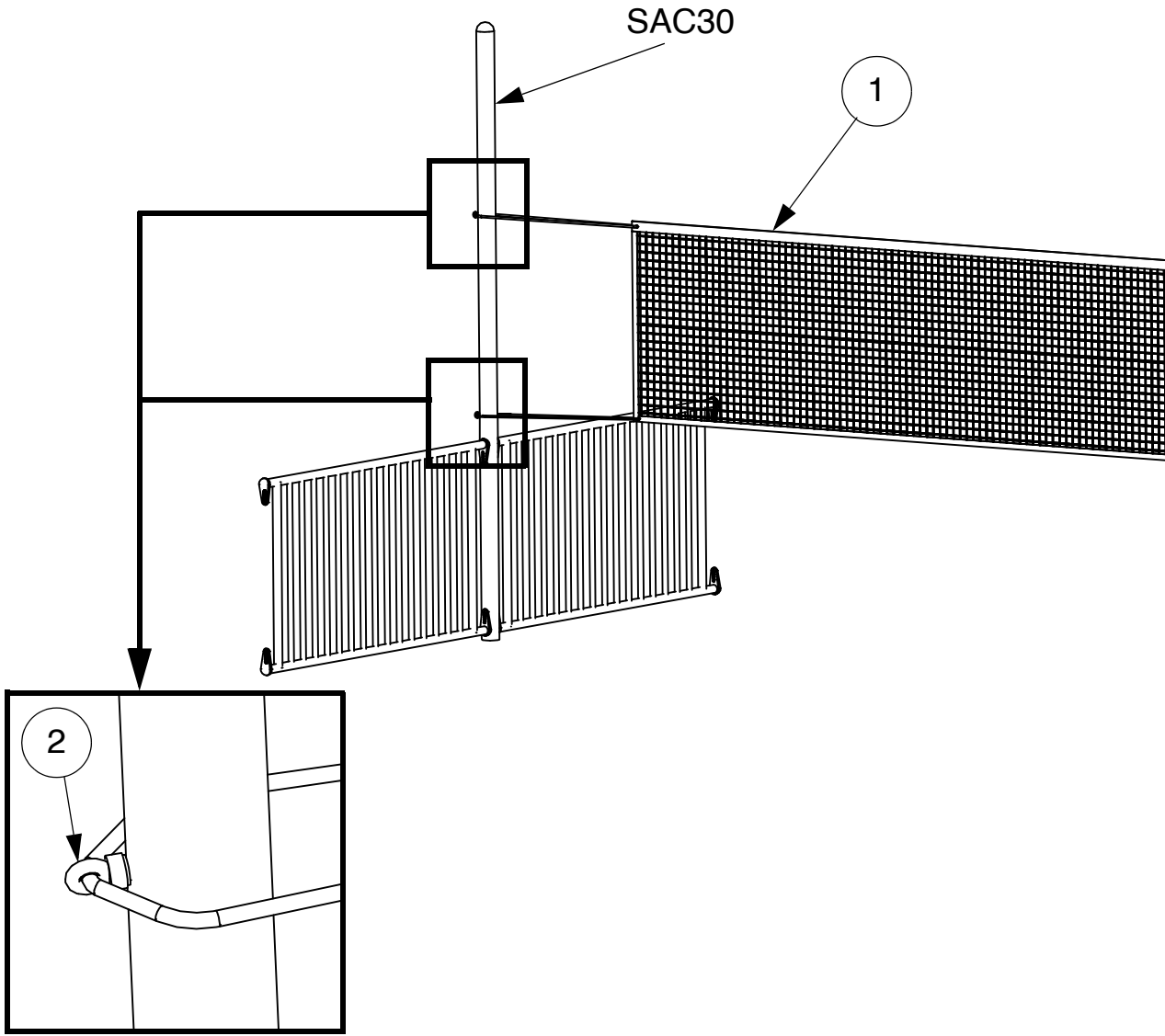


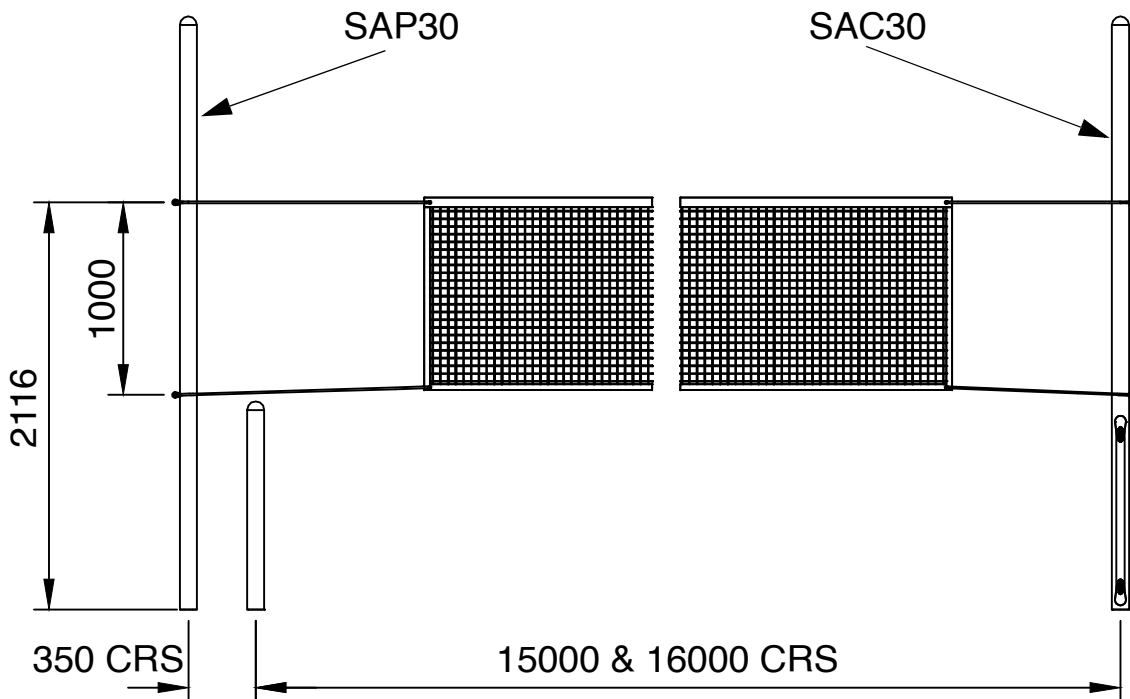
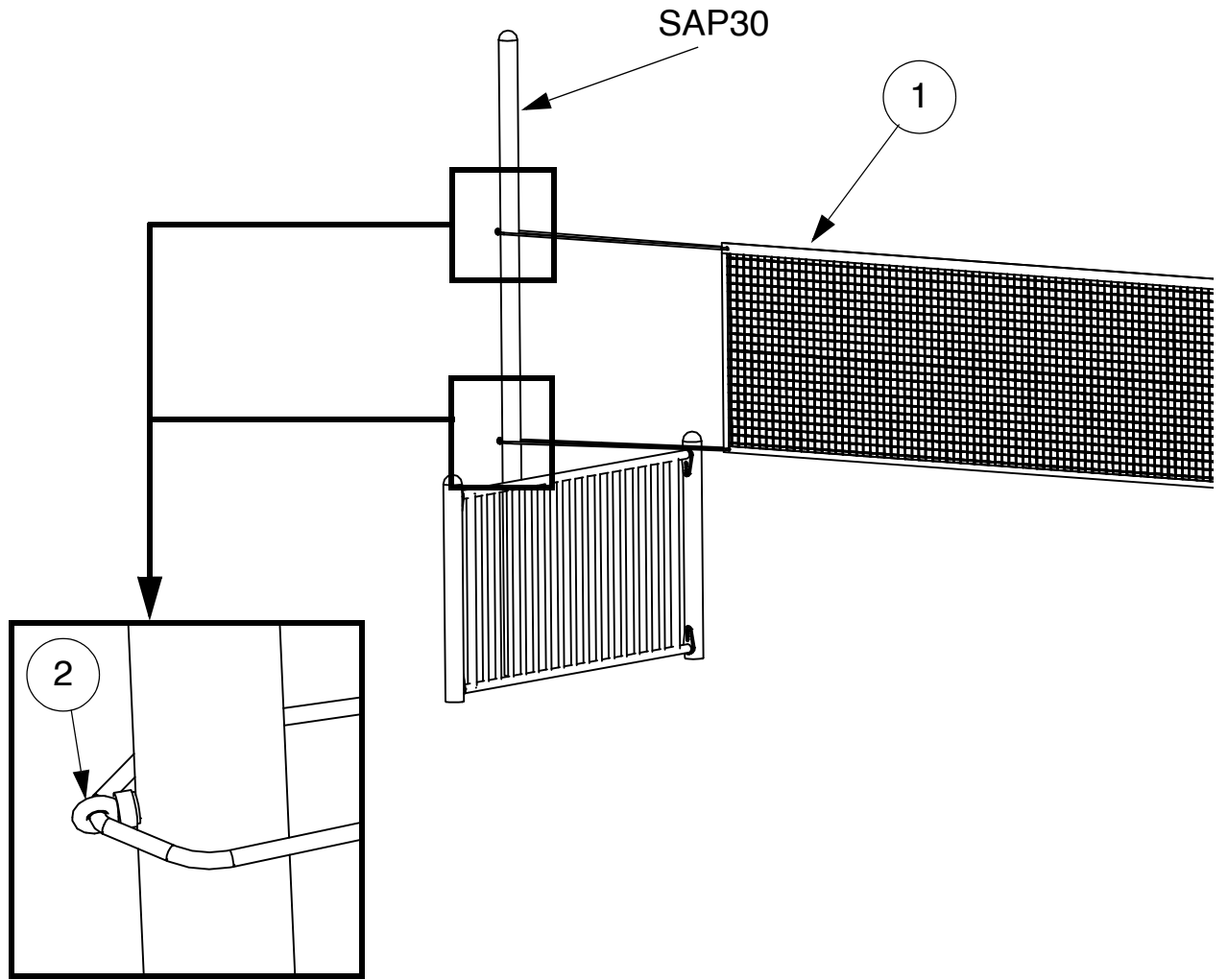


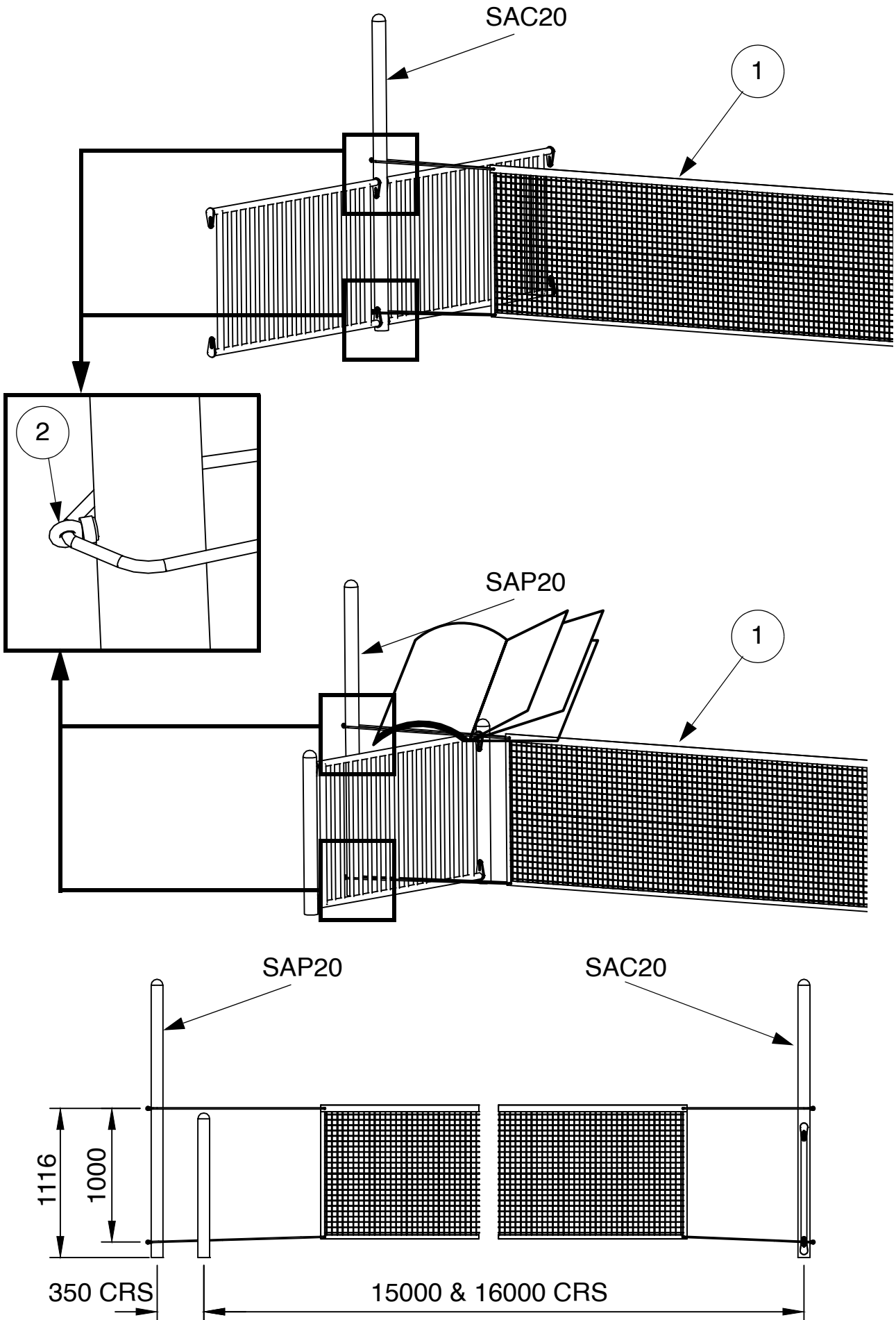
## Section 10: TENNIS NET / FILET DE TENNIS / TENNIS-NETZ / RETE DA TENNIS / TENNISNÄT

### 1 SANET

ITEM	CODE		QTY	kg
1	HUCK0034		1	3.70
2	15711010	 <p>M10</p>	4	0.105

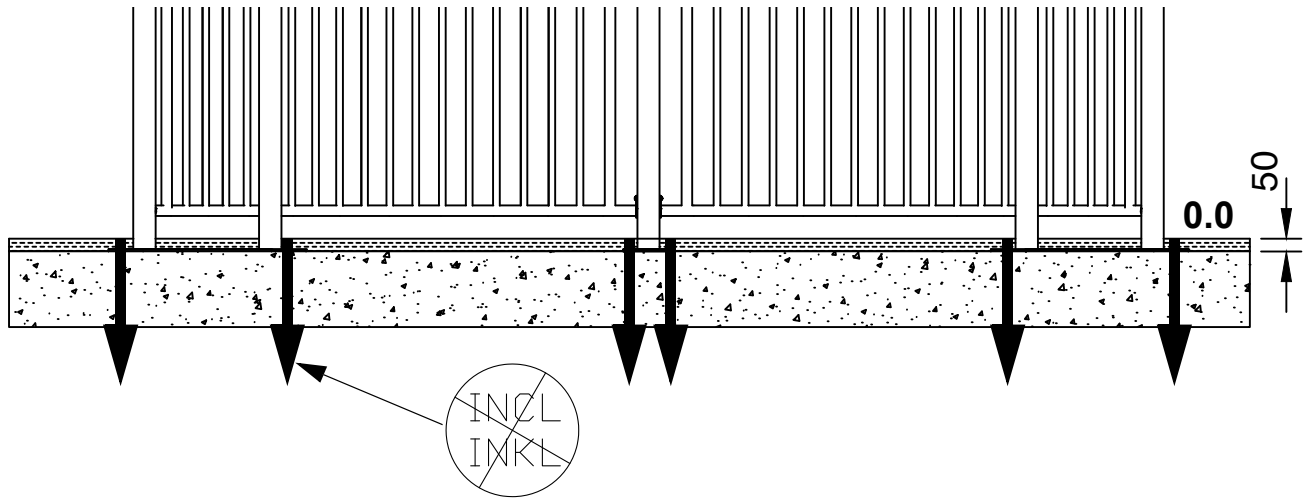




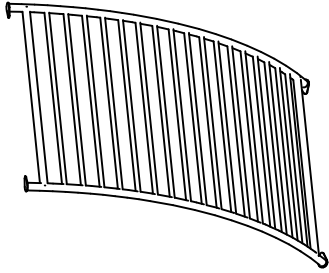
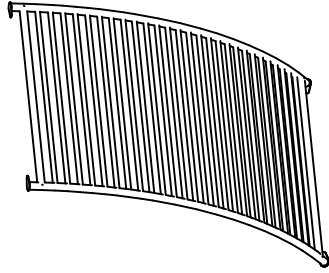
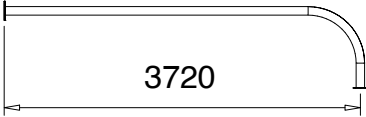
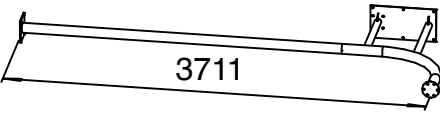
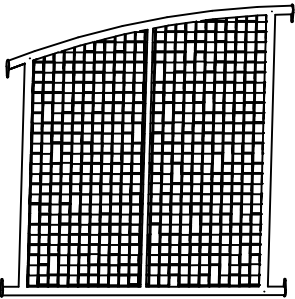
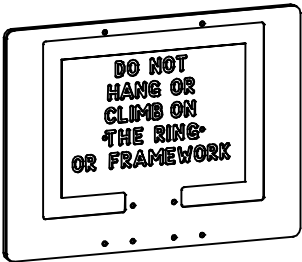
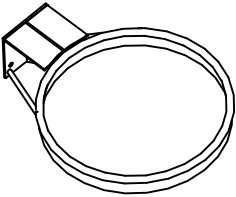


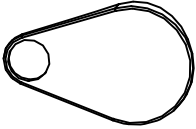
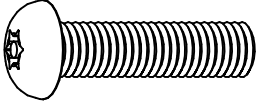
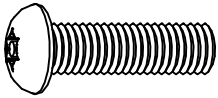
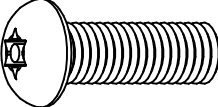
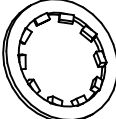

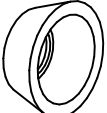
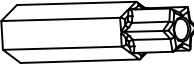
**Appendix A: GOALS DECK MOUNTED / BUTS SUR PLATINES / TORE OBERERDIG  
MONTIERT / PORTE DA CALCETTO FILO SUOLO / MÅL OVAN MARK  
MONTERING**

**1 SAG2BD, SAGSMD, SAG2RD, SAGMRD, SAG2BBD, SAG2RBD, SAGMRBD &  
SAGSMBD**

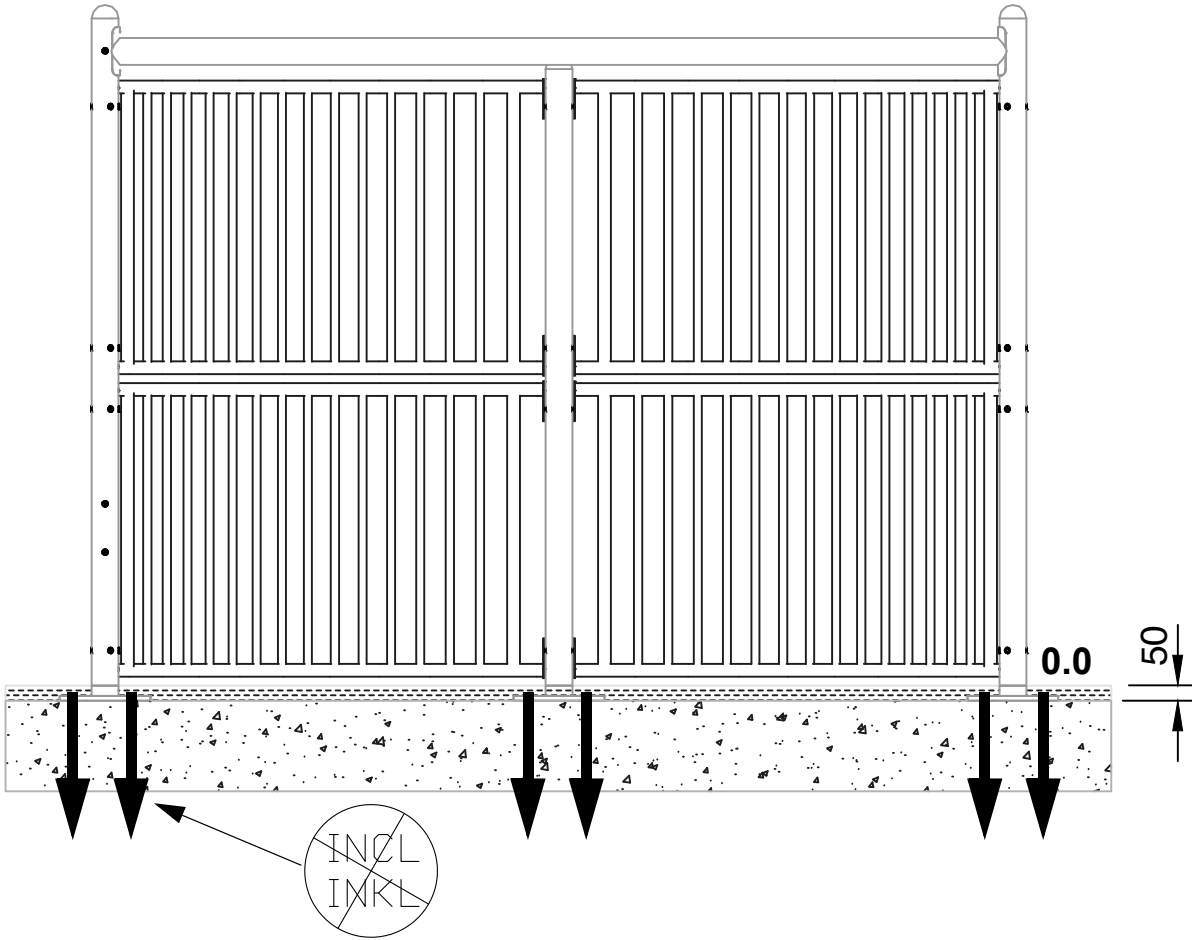


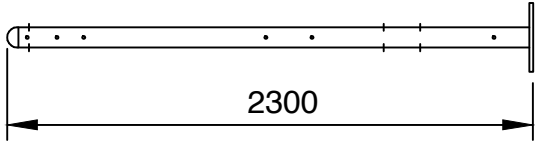
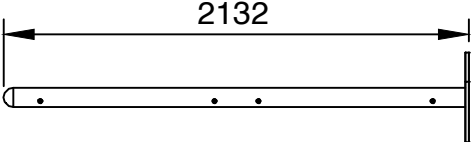
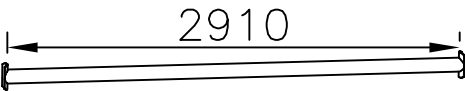
ITEM	REF.		QTY								kg
			SAG2BD	SAGSMD	SAG2RD	SAGMRD	SAG2BBD	SAG2RBD	SAGMRBD	SAGSMBD	
1.1	24000101DM		SET OF 2		SET OF 2		SET OF 2	SET OF 2			70.00
	24000102DM			SET OF 2		SET OF 2			SET OF 2	SET OF 2	82.00
1.2	25000205						1				27.00
1.3	25000201						1				14.00

ITEM	REF.		QTY								kg
			SAG2BD	SAGSMD	SAG2RD	SAGMRD	SAG2BBD	SAG2RBD	SAGMRBD	SAGSMBD	
1.4	24000301		4	4			4			4	50.00
	24000305				4	4		4	4		68.00
1.5	24000111DM		1								48.00
	24000115DM						1				61.00
1.6	25000405		2								26.00
1.7	24000905						1				7.500
1.8	25000907						1				8.000

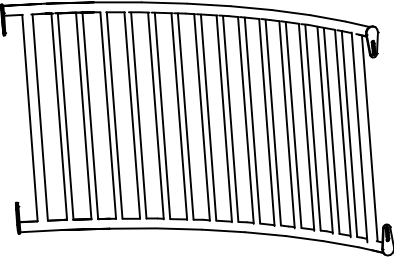
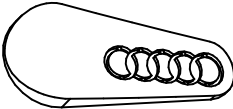
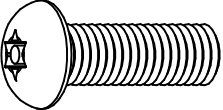
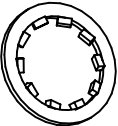
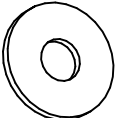
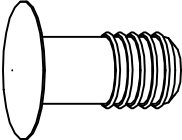
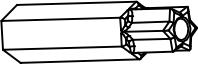
ITEM	REF.		QTY								kg
			SAG2BD	SAGSMD	SAG2RD	SAGMRD	SAG2BBD	SAG2RBD	SAGMRBD	SAGSMBD	
1.9	19025501		24								0.015
1.10	10121040	 M10 X 40					4				0.037
1.11	10121035	 M10 X 35					6				0.032
1.12	10121030	 M10 X 30	30								0.028
1.13	10301000	 M10 12X18X1	30				50				0.002
1.14	10271000	 M10					10				0.020
1.15	10411000	 M10					10				0.020
1.16		 T45 M10	1								

2 SAGF2D

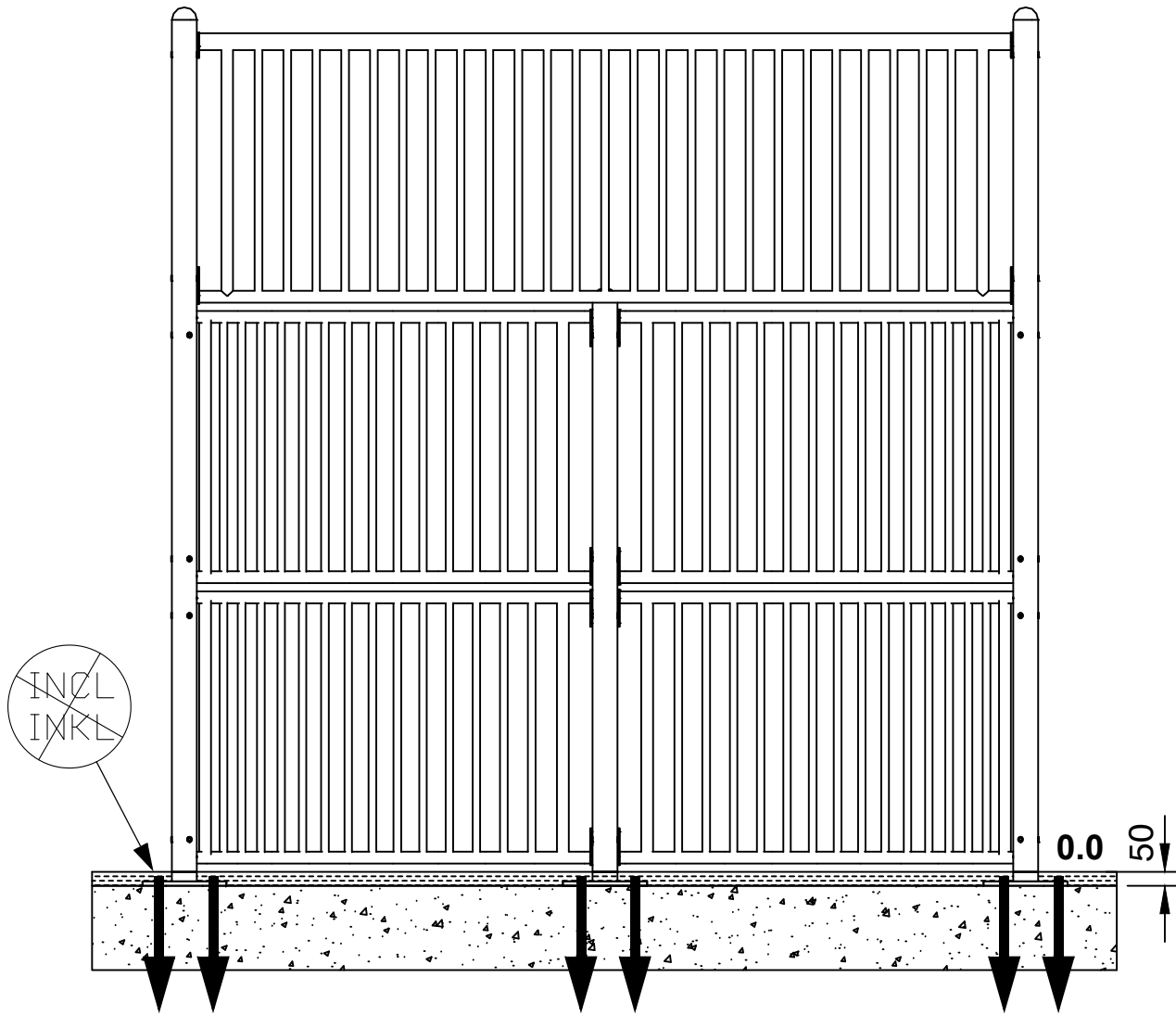


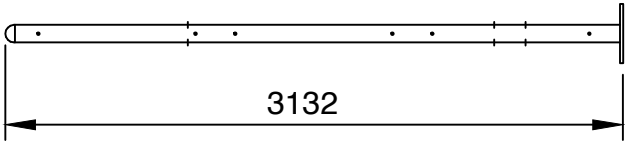
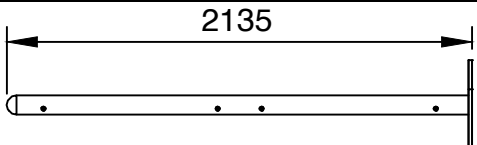
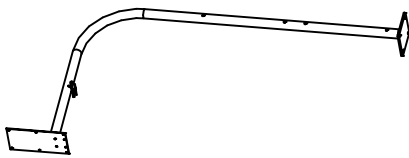
ITEM	CODE		SAGF2D	kg
4.1	24000132DM		2	23.00
4.2	24000105DM		1	20.00
4.3	25000205		1	27.00

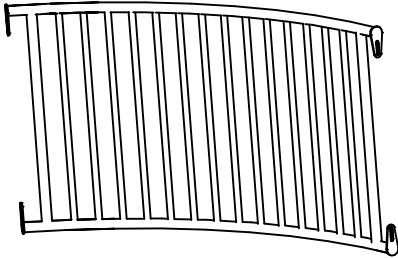
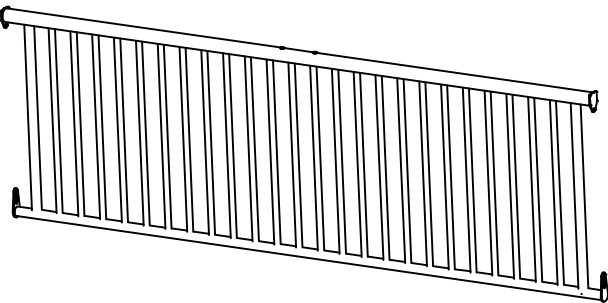
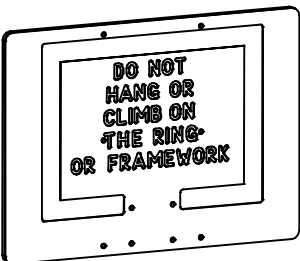
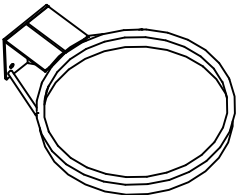

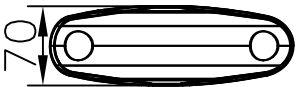
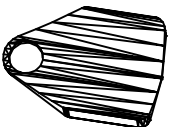



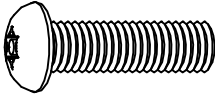
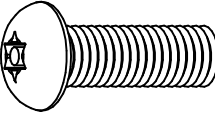
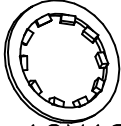
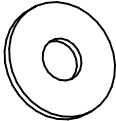
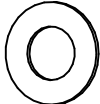
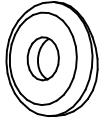

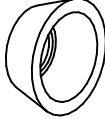
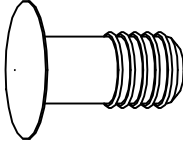
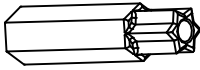
ITEM	CODE		SAGF2D	kg
4.4	24000615		4	35.50
4.5	19022401		16	0.010
4.6	10121030	 M10 X 30	20	0.028
4.7	10301000	 M10 12X18X1	20	0.002
4.8	10309999	 M10 11X30X2.5	16	0.011
4.9	19024501		24	0.001
5.0	10121000	 T45 M10	1	

3 SAGF3D & SAGF3BD

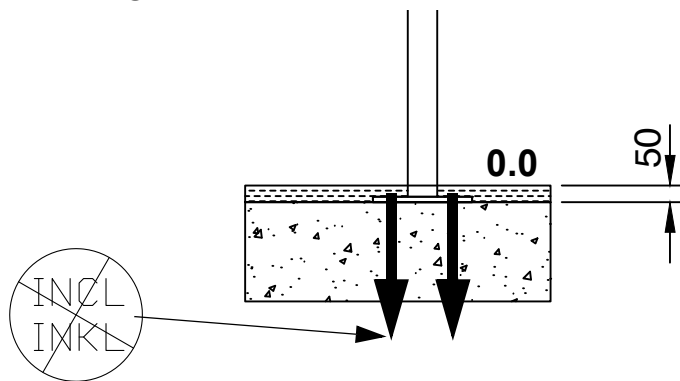


ITEM	CODE		SAGF3D	SAGF3BD	kg
5.1	24000134DM			2	29.50
	24000105DM		1		20.00
5.2	24000112DM			1	

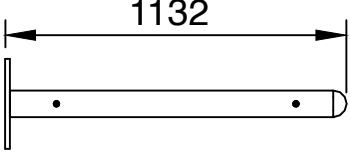
ITEM	CODE		SAGF3D	SAGF3BD	kg
5.3	24000615			4	35.50
5.4	24000610			1	68.00
5.5	24000905			1	7.50
5.6	25000907			1	8.00
5.7	19022401			18	0.010
5.8	19023803			1	0.050
5.9	19024503			2	0.020
5.10	10121040	 M10 X 40		6	0.037

ITEM	CODE		SAGF3D	SAGF3BD	kg
5.11	10121035	 M10 X 35		6	0.032
5.12	10121030	 M10 X 30	20	26	0.028
5.13	10301000	 M10 12X18X1	20	40	0.002
5.14	10309999	 M10 11X30X2.5	18		0.011
5.15	10291000	 M10 11X21X1	2	4	0.002
5.16	38001019	 M10 12X32X6.5		2	0.002
5.17	10271000	 M10		20	0.020
5.18	10411000	 M10		20	0.020
5.19	19024501		26	24	0.001
5.20	10121000	 T45 M10	1		

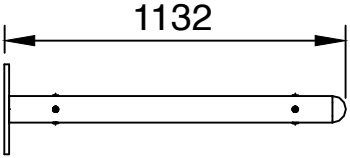
**Appendix B: POSTS DECK MOUNTED / POTEAUX SUR PLATINES / PFOSTEN  
 OBERERDIG MONTIERT / PALI FILO SUOLO / STOLPAR OVAN MARK  
 MONTERING**



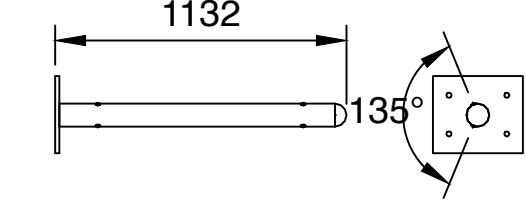
**1 SAP10D**

ITEM	REF.		QTY	kg
1	24000103DM		1	15.00

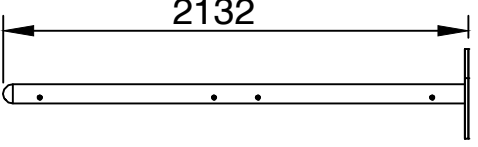
**2 SAC10D**

ITEM	REF.		QTY	kg
1	24000104DM		1	15.00

**3 SAO10D**

ITEM	REF.		QTY	kg
1	24000130DM		1	15.00

**4 SAP20D**

ITEM	REF.		QTY	kg
1	24000105DM		1	20.00

**5 SAC20D**

ITEM	REF.		QTY	kg
1	24000106DM		1	20.00

**6 SAP30D**

ITEM	REF.		QTY	kg
1	24000107DM		1	29.50

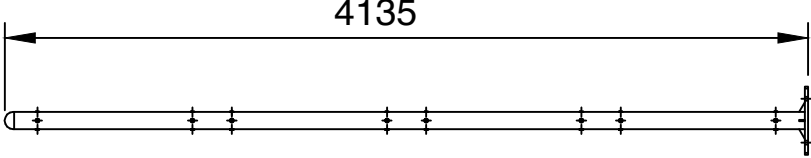
**7 SAC30D**

ITEM	REF.		QTY	kg
1	24000108DM		1	29.50

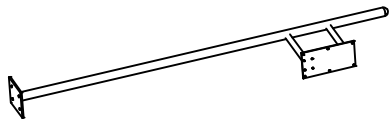
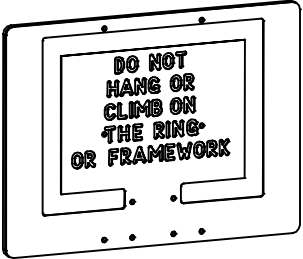
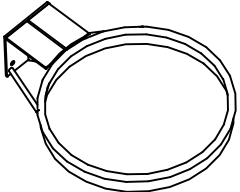
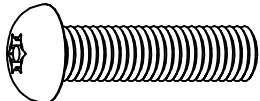
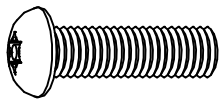
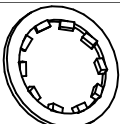
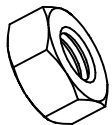
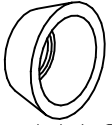
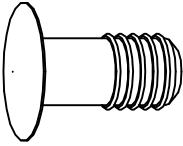
**8 SAP40D**

ITEM	REF.		QTY	kg
1	24000109DM		1	38.50

9 SAC40D


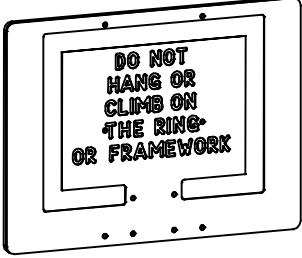
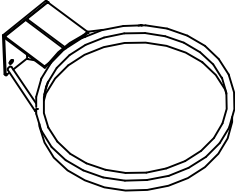
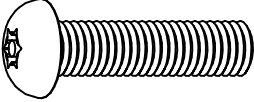



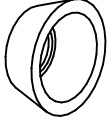
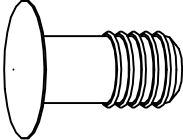
ITEM	REF.		QTY	kg
1	24000110DM		1	38.50

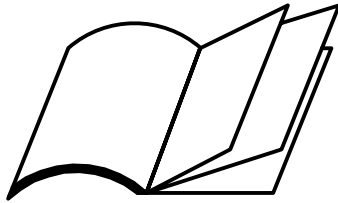
## 10 SAP41D

ITEM	REF.		QTY	kg
1	24000119DM		1	54.00
2	24000905		1	7.500
3	25000907		1	8.000
4	10121040	 M10 X 40	4	0.037
5	10121035	 M10 X 35	6	0.032
6	10301000	 M10 12X18X1	20	0.002
7	10271000	 M10	10	0.020
8	10411000	 M10	10	0.020
9	19024501		24	0.001



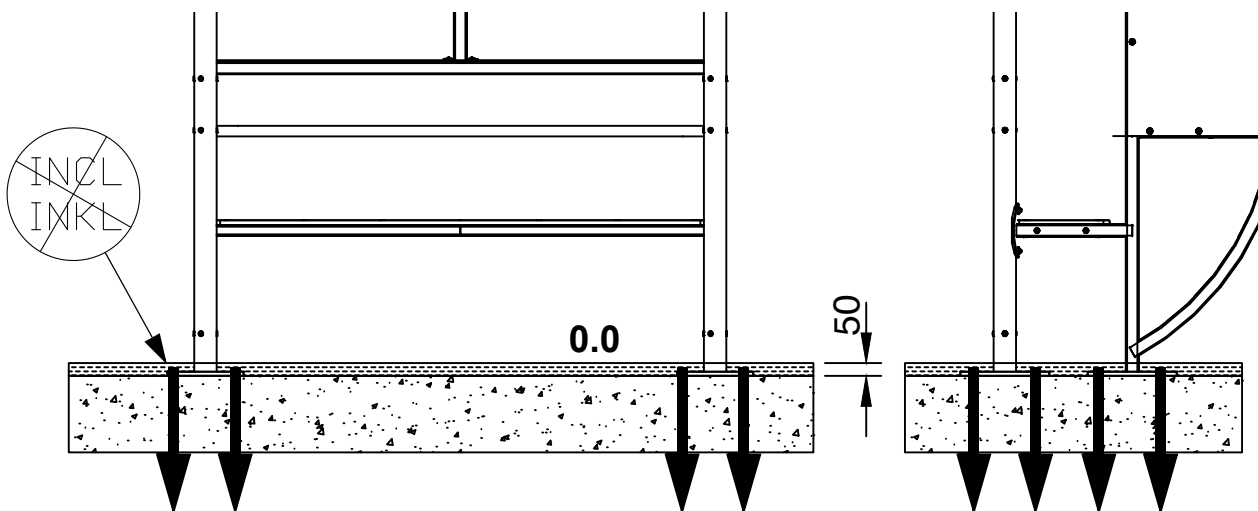
## 11 SAP42D

ITEM	REF.		QTY	kg
1	24000129DM		1	62.00
2	24000905		2	7.500
3	25000907		2	8.000
4	10121040	 M10 X 40	8	0.037
5	10121035	 M10 X 35	12	0.032
6	10301000	 M10 12X18X1	40	0.002
7	10271000	 M10	20	0.020
8	10411000	 M10	20	0.020
9	19024501		24	0.001

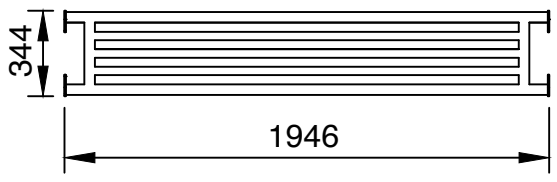
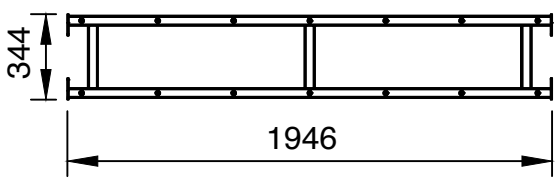
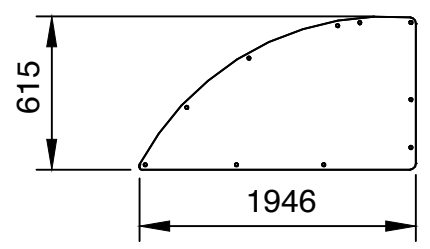
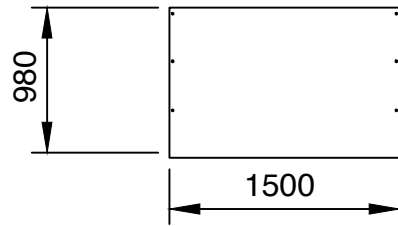
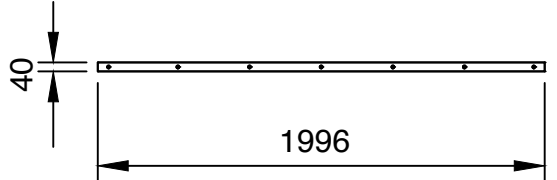
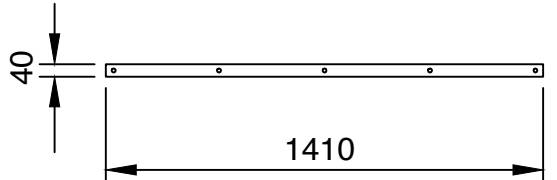
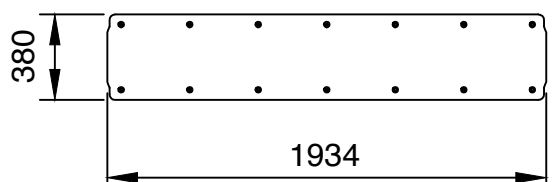


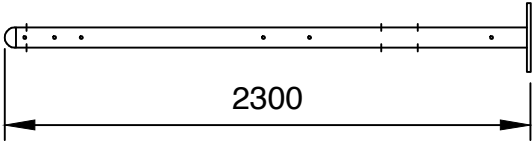
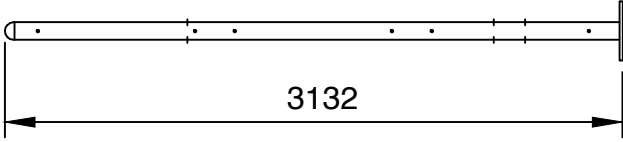

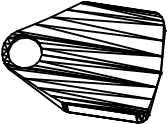
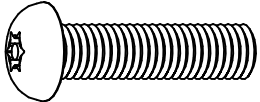
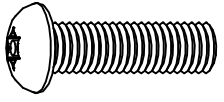
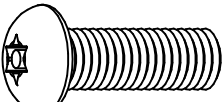
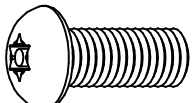
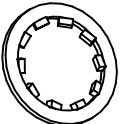
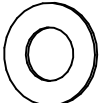
**Appendix C: SEAT DECK MOUNTED & ACCESS / PLACES ASSISES & ACCES SUR  
 PLATINES / SITZGELEGENHEITEN & ZUGANGE OBERERDIG MONTIERT /  
 ESDUTA FILO SUOLO & ACCESSO / BÄNKER FÖR OVAN MARK  
 FÖRANKING & INGANG**


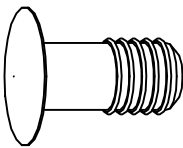
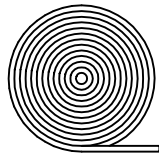
**1 SAH22D, SAH23D, SAH42D & SAH43D**



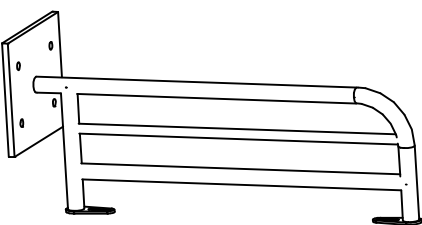
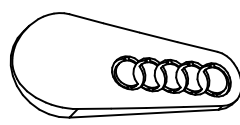
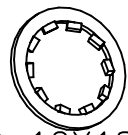
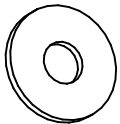
ITEM	CODE		SAH22D	SAH23D	SAH42D	SAH43D	kg
1	24004300DM		2	3			28.00
2	24004305		1	2			6.00
3	24004310		2	4			8.50

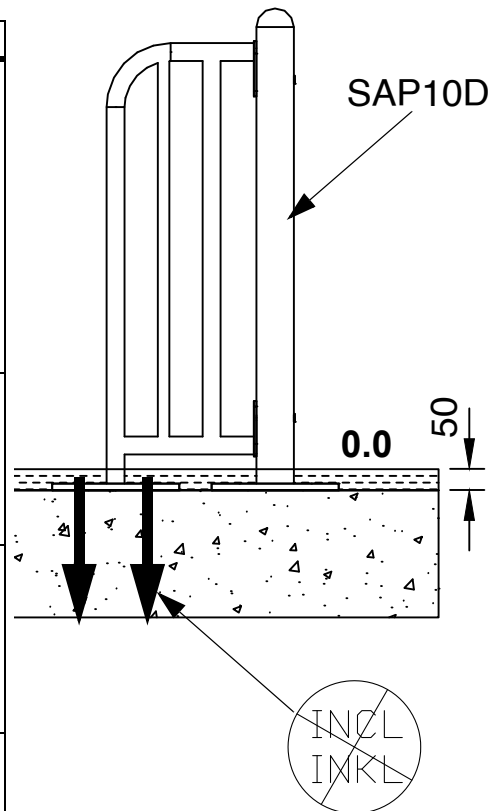
ITEM	CODE		SAH22D	SAH23D	SAH42D	SAH43D	kg
4	24004315		1		2		25.50
5	24004320		1		2		17.50
6	24004010				2		16.50
7	24004015		2		4		23.50
8	24004020		2		4		3.25
9	24004025		3		5		2.25
10	24004500		1		2		13.00

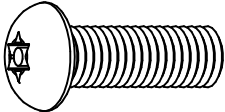
ITEM	CODE		SAH22D	SAH23D	SAH42D	SAH43D	kg
11	24000132DM		2		3		23.00
12	24000134DM			2		3	29.50
13	19023802		2		3		.050
14	19024503		2		3		0.020
15	10121040	 M10 X 40	4		6		0.037
16	10121035	 M10 X 35	36		71		0.032
17	10121030	 M10 X 30	29		53		0.028
18	10121025	 M10 X 25	20				0.024
19	10301000	 M10 12X18X1	4		6		0.002
20	10291000	 M10 11X21X1	85		144		0.011

ITEM	CODE		SAH22D	SAH23D	SAH42D	SAH43D	kg
21	38001019	 M10 12X32X6.5	4		6		0.002
22	19024501		48	36	70	58	0.001
23	19027126		2		4		-

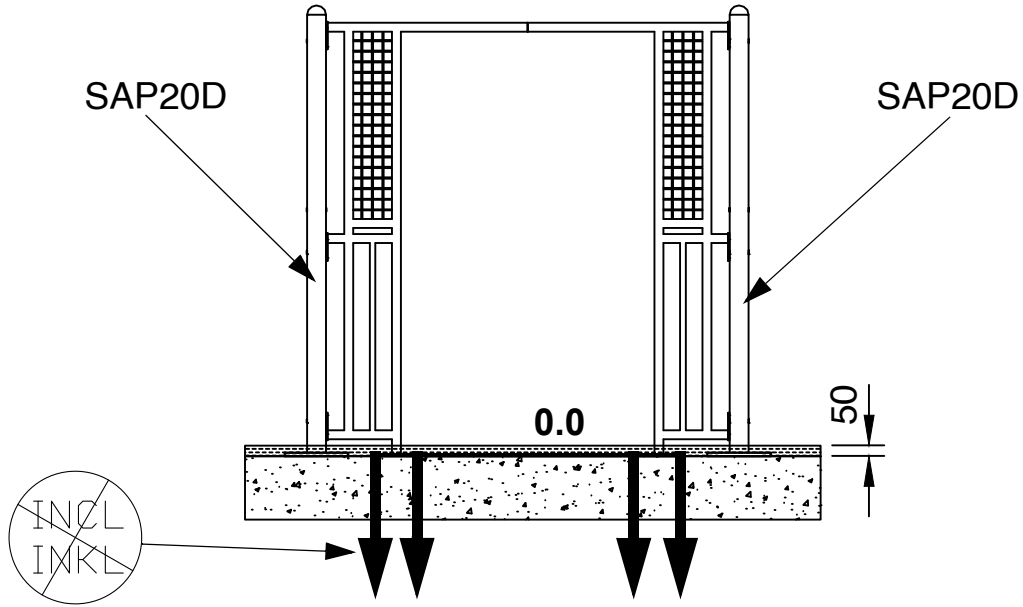
**2 SAEPSD**

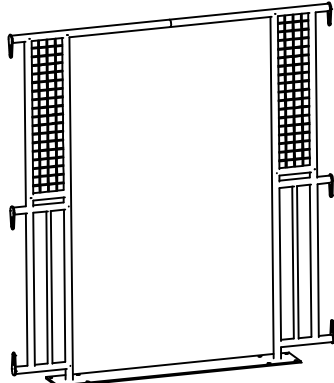
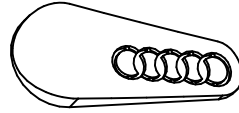
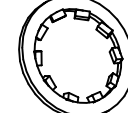

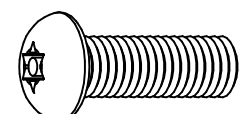
ITEM	REF		QTY	kg
1	24000606DM		1	12.50
2	19022401		2	0.010
3	10301000	 M10 12X18X1	2	0.002
4	10309999	 M10 11X30X2.5	2	0.011



5	10121030	 M10 X 30	2	0.028
---	----------	---	---	-------

3 SAEPDD



ITEM	REF		QTY	kg
1	24000607DM		1	59.00
2	19022401		6	0.010
3	10301000	 M10 12X18X1	6	0.002
4	10309999	 M10 11X30X2.5	6	0.011
5	10121030	 M10 X 30	6	0.028



## Appendix D: PROCEDURES

### 1 SAFE WORKING PRACTISE

A full risk assessment should be carried out prior to commencing the installation, which will be specific to the site selected. The major risks associated with purely the assembly of this product are highlighted below, which can form part of this overall assessment.

#### 1.1 RISKS

- i) Large parts which could be difficult to lift or handle. (Full details of all parts is provided within these instructions to allow a detailed assessment to be completed).
- ii) Structure unstable until concrete footings have fully cured.
- iii) Parts at height that may require working overhead.

#### 1.2 CONSTRUCTIONAL SPACE

- i) Ensure adequate space is available for assembly and erection of equipment.
- ii) e.g. Goal Arch: Pt No.SAGAM- 5m x 5m

#### 1.3 LARGEST PARTS.

- i) Goal Post 24000101- 0.9m L x 0.2m W x 4m H 63kg.
- ii) Goal Arch Pt.No. SAGAM - 2m L x 0.05m W x 2.3m H 47kg
- iii) Access Side Frame Double height Pt.No. SAEPD - 1.9m L x 0.13 W x 2.3m H 50 kg
- iv) Goal Bar Panel 24000610 - 2.9m L x 0.06m W x 1.0m H 68kg.

#### 1.4 CONTROL MEASURES:

- i) All staff working on installation to wear suitable PPE including Toe Protective Shoes, Hard hat and Gloves.
- ii) Any staff or other persons on site, not working directly on the installation, to be kept away from the installation.
- iii) Ensure adequate personal and equipment are on site to handle and support the structure whilst it is being assembled.

### 2 SPECIFICATIONS

The concrete foundations indicated are for average ground. Care should be taken concerning abnormal conditions.

### 3 PREPERATION

All equipment assembly and fixing must conform to EN15312.

Before commencing the installation the surrounding area must be sufficiently fenced and signs erected to warn the public of the risk of injury.

**Tools:** Working platform, Plumbline, 30m Tape measure, Spirit level, 5/16" AF Driver, M10 Torx tool (Supplied with unit), Small Snips (for removing centre sections from plastic spacers).

**Minimum Personal Protective Equipment:** Gloves, Armoured boots, Goggles, Hard hat.

#### 3.1 ESTABLISH ORIENTATION

- i) Consult HAGS SMP layout drawing for equipment space requirements.
- ii) Measure out the site to ensure the space required fits into the allotted area, it is horizontal and free from trip points or obstructions.

#### 3.2 SURFACING

- i) Refer to suppliers information for selected surface.
- ii) Where applicable, refer to site layout drawings for size and shape of base.

## **4 GENERAL ASSEMBLY ROUTINES**

### **4.1 PRE-ASSEMBLY INSPECTION**

Inspect all parts for damage (which may have occurred during transportation & storage). Finish Coatings, if found to be damaged should be made good before erection. Any damaged or missing parts must be replaced. To ensure the required hole threads are free from contamination it is recommended that they are brushed out and/or tapped out, to save time during erection.

### **4.2 ASSEMBLY ORDER**

For assembly routines refer to the relevant sections in the Installation Instructions.

Special attention should be paid to the following points to ensure the most effective installation.

- i) The assembly of a Sports System should start with the Goal sections SAG2B.
- ii) Construction should also always start at any obstruction, such as a wall and then continue moving away from it.
- iii) **DO NOT PERMANENTLY INSTALL INTO THE GROUND UNTIL THE UNIT HAS BEEN FULLY ASSEMBLED. THE UNIT SHOULD STILL HAVE ENOUGH FLEXIBILITY IN IT TO BE "SQUARED OFF" AND BE FINALLY POSITIONED.**
- iv) When assembled, check unit for square, orientation & height (i.e. Ring height-3050mm).

## **5 POST FIXING-GENERAL**

- i) Ensure that the area is clear of any loose materials.
- ii) Mark the outline of the individual footings with e.g. spray, chalk etc (refer to relevant sections for sizes).
- iii) Excavate all holes progressively as the unit is assembled (see SECTIONS 1 & 2. All sizes shown are minimum).
- iv) **DO NOT PERMANENTLY INSTALL INTO THE GROUND UNTIL THE UNIT HAS BEEN FULLY ASSEMBLED. THE UNIT SHOULD STILL HAVE ENOUGH FLEXIBILITY IN IT TO BE "SQUARED OFF" AND FINALLY POSITIONED.**
- v) Place post into excavation (see the relevant sections for full assembly instructions), set to the correct height, taking advantage of the variable fixing centres on the panel end fixing brackets to compensate for any rise or fall in the ground levels.(chock with concrete as required). **ANY ADJUSTMENT USED SHOULD BE EQUALLED OUT OVER THE FULL RUN OF THE PANELS TO MAINTAIN THE ASTHETICS OF THE SYSTEM.**
- vi) The same adjustment must be used for all panels in the same vertical section.
- vii) Fill individual footings with concrete to the required level taking into account any Surfacing requirements. Ensure full volume of concrete is used. The top of the concrete should gradually (1:100) slope down and outwards locally from the equipment upstand to the required level to form a watershed.  
Concrete mix is recommended at:
  - 1 part cement;
  - 2 parts sand;
  - 4 parts aggregate;by volume with 20mm aggregate  
(20 N/mm<sup>2</sup> min compressive strength)
- viii) Keep the installation off limits to the public until the concrete has completely cured. (Recommended initial curing time 48hrs)
- ix) Tighten all bolts to a torque of 20-25 Nm.

---

## 6 CLEAN SITE AND INSTALLATION INSPECTION

In surrounding areas where new surfaces have not been laid, make good the existing surface as required.

CHECK	CHECK	<input checked="" type="checkbox"/>
1	Paint work is not damaged. (Any making good should be carried out using the procedure in the Inspection and Maintenance instructions).	<input type="checkbox"/>
2	All fixings are tightened to their appropriate torque settings and have no protruding sharp edges.	<input type="checkbox"/>
3	Concrete foundations and all fixings are in place and secure.	<input type="checkbox"/>
4	Concrete has a water shed away from the legs.	<input type="checkbox"/>
5	Ensure all unused fixing holes in steel work have correct black plastic plug fitted.	<input type="checkbox"/>
6	Site is clear of tools and rubbish.	<input type="checkbox"/>
7	Remove any warning signs.	<input type="checkbox"/>

